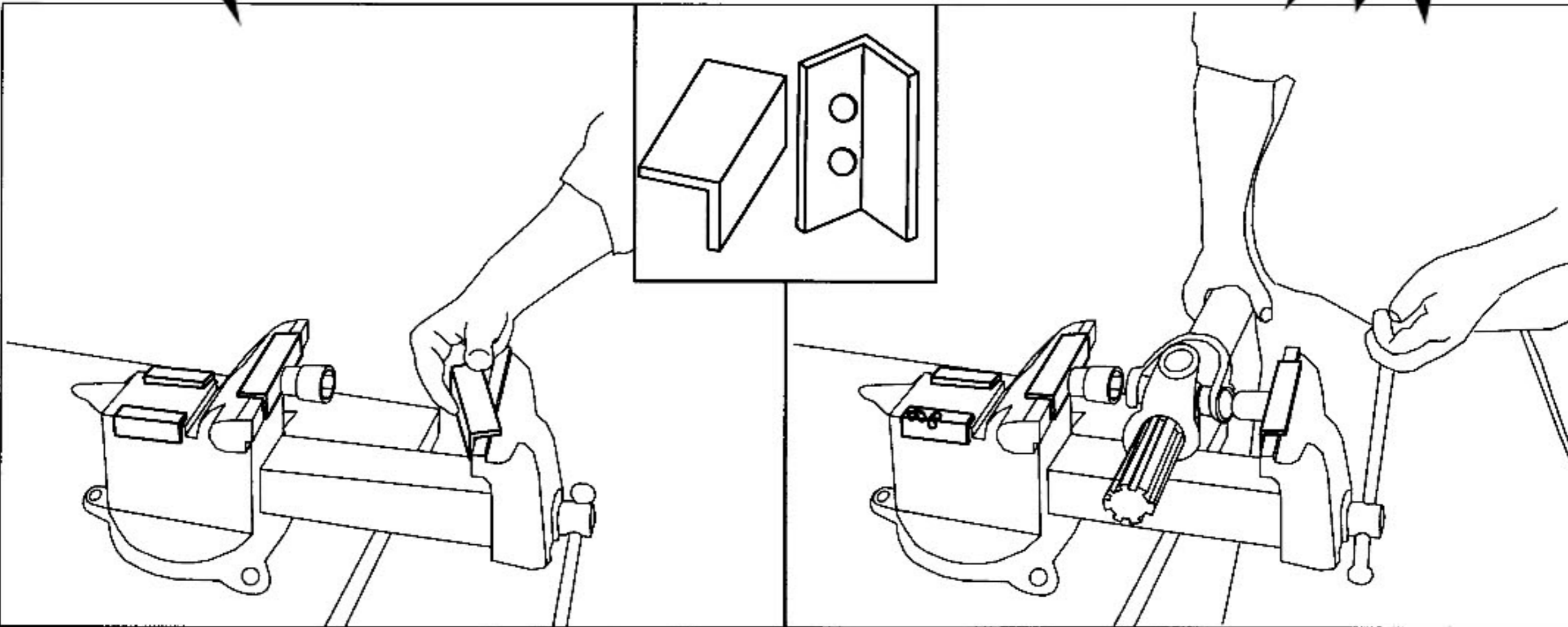


HOLD-ET

MAGNETIC VISE CLIPS



Packaged and sold in pairs.



Magnetically holds sockets for assembling and disassembling universal joints and many other jobs.

- Fits all vises.
- Rigid aluminum construction.
- Holds a number of shapes & sizes of objects.
- Holds sockets no matter what type of drive.
- Eliminates need for extra hands.
- Holds screws, rings, c-clips and springs for repair projects.
- Holds threaded steel objects rigid without damage to threads.
- Use as a jaw liner for non-marking material.
- Holds 5½ pounds vertically and 2¾ pounds horizontally.

Posi Lock Puller, Inc.
805 Sunflower Avenue
P.O. Box 246
Cooperstown, ND 58425-0246

Phone: 800-533-5761 / 701-797-2600
Fax: 800-339-4159 / 701-797-2706
E-mail: info@posilock.com
Web Site: www.posilock.com