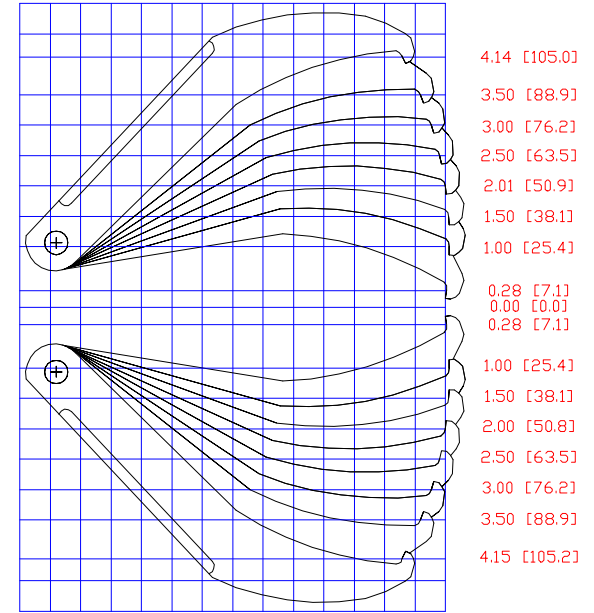
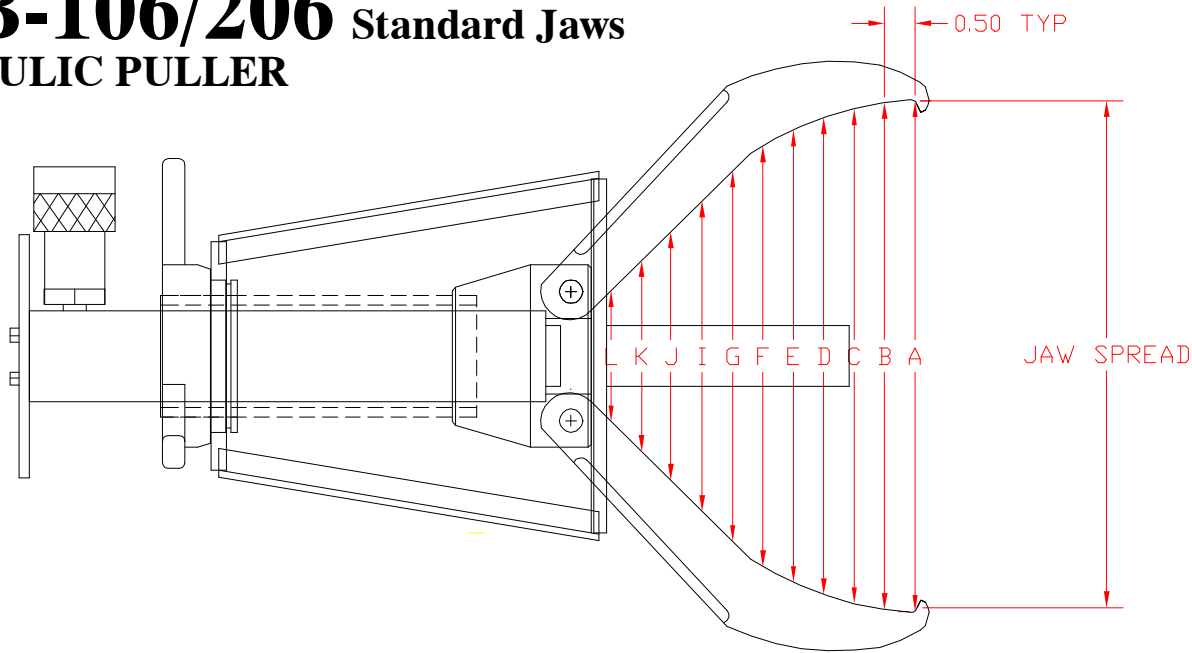


PHB-106/206 Standard Jaws

HYDRAULIC PULLER

Page 1 of 2



6.50 [165.1]
6.00 [152.4]
5.50 [139.7]
5.00 [127.0]
4.50 [114.3]
4.00 [101.6]
3.50 [88.9]
3.00 [76.2]
2.50 [63.5]
2.00 [50.8]
1.50 [38.1]
1.00 [25.4]
0.50 [12.7]
0.00 [0.0]

| JAW SPREAD | DIM A | DIM B | DIM C | DIM D | DIM E | DIM F | DIM G | DIM H | DIM J | DIM K | DIM L |
|--------------|--------------|--------------|--------------|--------------|--------------|--------------|--------------|--------------|--------------|-------------|-------------|
| 0.58 [14.7] | 0.68 [17.3] | 1.32 [33.5] | 1.75 [44.5] | 2.06 [52.3] | 2.28 [57.9] | 2.40 [61.0] | 2.33 [59.2] | 2.17 [55.1] | 2.00 [50.8] | 1.84 [46.7] | 1.68 [42.7] |
| 2.00 [50.8] | 2.05 [52.1] | 2.61 [66.3] | 2.92 [74.2] | 3.13 [79.5] | 3.25 [82.6] | 3.27 [83.1] | 3.13 [79.5] | 2.85 [72.4] | 2.57 [65.3] | 2.29 [58.2] | 2.01 [51.1] |
| 3.00 [76.2] | 3.00 [76.2] | 3.51 [89.2] | 3.74 [95.0] | 3.88 [98.6] | 3.93 [99.8] | 3.89 [98.8] | 3.68 [93.5] | 3.32 [84.3] | 2.95 [74.9] | 2.59 [65.8] | 2.23 [56.6] |
| 4.00 [101.6] | 4.00 [101.6] | 4.43 [112.5] | 4.59 [116.6] | 4.65 [118.1] | 4.62 [117.3] | 4.51 [114.6] | 4.23 [107.4] | 3.78 [96.0] | 3.32 [84.3] | 2.87 [72.9] | 2.41 [61.2] |
| 5.00 [127.0] | 5.00 [127.0] | 5.34 [135.6] | 5.42 [137.7] | 5.41 [137.4] | 5.31 [134.9] | 5.11 [129.8] | 4.76 [120.9] | 4.20 [106.7] | 3.65 [92.7] | 3.10 [78.7] | 2.54 [64.5] |
| 6.00 [152.4] | 6.00 [152.4] | 6.27 [159.3] | 6.27 [159.3] | 6.18 [157.0] | 6.00 [152.4] | 5.72 [145.3] | 5.26 [133.6] | 4.59 [116.6] | 3.93 [99.8] | 3.27 [83.1] | 2.60 [66.0] |
| 7.00 [177.8] | 7.00 [177.8] | 7.18 [182.4] | 7.10 [180.3] | 6.92 [175.8] | 6.66 [169.2] | 6.29 [159.8] | 5.70 [144.8] | 4.91 [124.7] | 4.13 [104.9] | 3.34 [84.8] | 2.55 [64.8] |
| 8.29 [210.6] | 8.29 [210.6] | 8.35 [212.1] | 8.16 [207.3] | 7.87 [199.9] | 7.48 [190.0] | 6.97 [177.0] | 6.16 [156.5] | 5.17 [131.3] | 4.19 [106.4] | 3.21 [81.5] | 2.22 [56.4] |

POSI LOCK MODELS PHB106/PHB206
GEAR AND BEARING PULLERS

| MODEL PHB106 | MODEL PHB206 |
|----------------------------------|----------------------------------|
| 5 TON (4.75 METRIC TONS) | 5 TON (4.75 METRIC TONS) |
| 3 JAW - STANDARD | 2 JAW - STANDARD |
| RAM STROKE 5.00 (127.0) | RAM STROKE 5.00 (127.0) |
| REACH 6.00 (154.0) | REACH 6.00 (154.0) |
| SPREAD .27 (6.8) TO 8.28 (210.4) | SPREAD .27 (6.8) TO 8.28 (210.4) |
| WT. [kg] | WT. [kg] |
| RATED FOR 10000 PSI | RATED FOR 10000 PSI |

PHB-106/206 Standard Jaws

HYDRAULIC PULLER

Page 2 of 2

