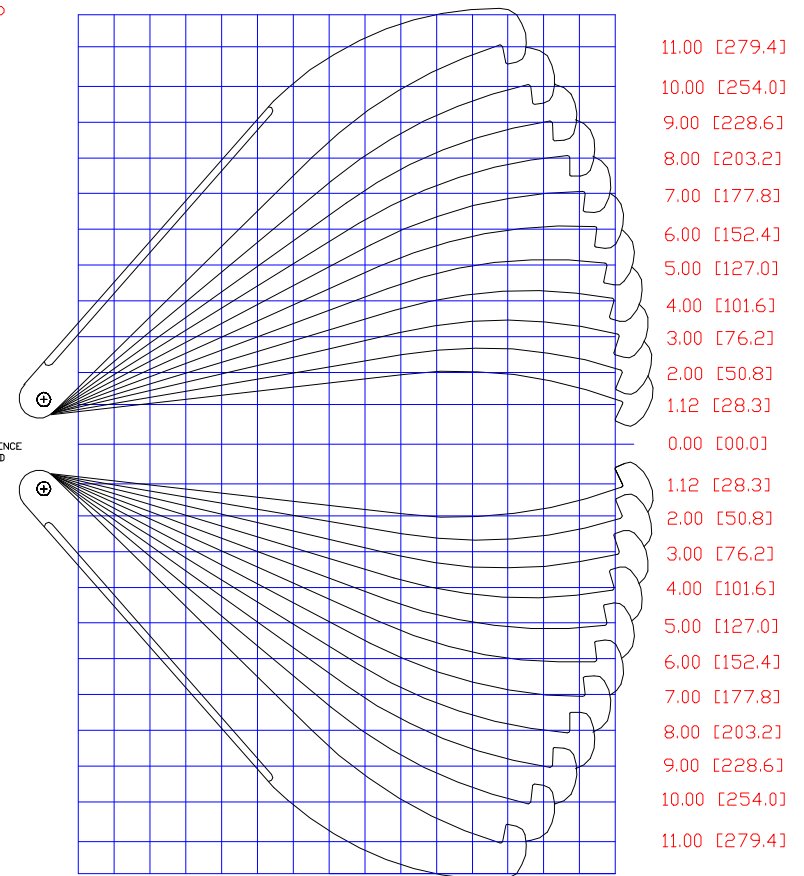
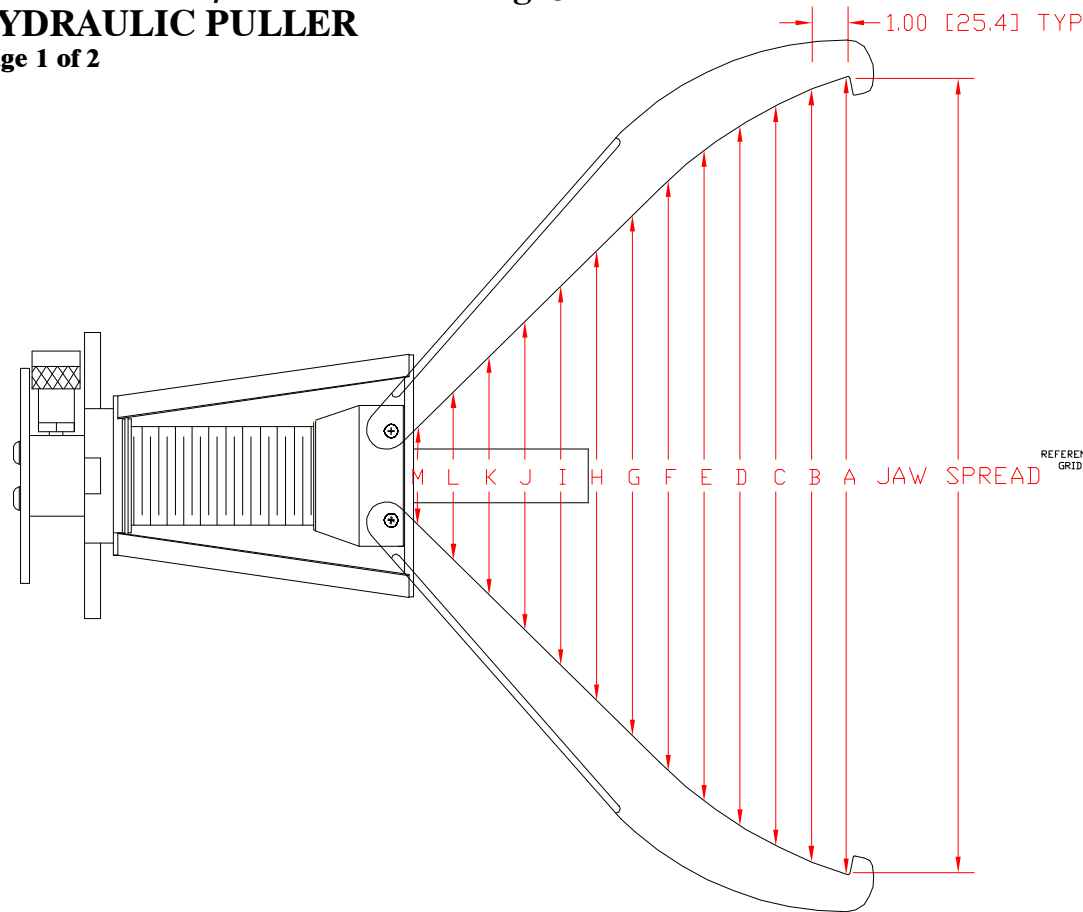


PHB-108/208 Extra Long Jaws

HYDRAULIC PULLER

Page 1 of 2



14.00 [355.6]
13.00 [330.2]
12.00 [304.8]
11.00 [279.4]
10.00 [254.0]
9.00 [228.6]
8.00 [203.2]
7.00 [177.8]
6.00 [152.4]
5.00 [127.0]
4.00 [101.6]
3.00 [76.2]
2.00 [50.8]
1.12 [28.3]
0.00 [00.0]

JAW SPREAD	DIM A	DIM B	DIM C	DIM D	DIM E	DIM F	DIM G	DIM H	DIM J	DIM K	DIM L	DIM M
1.12 [28.4]	2.52 [64.0]	2.69 [68.3]	3.62 [91.9]	3.92 [99.6]	4.03 [102.4]	4.00 [101.6]	3.89 [98.8]	3.66 [93.0]	3.43 [87.1]	3.21 [81.5]	2.98 [75.7]	2.75 [69.9]
2.00 [50.8]	4.25 [108.0]	4.77 [121.2]	5.13 [130.3]	5.33 [135.4]	5.37 [136.4]	5.26 [133.6]	5.00 [127.0]	4.66 [118.4]	4.32 [109.7]	3.98 [101.1]	3.64 [92.5]	3.30 [83.8]
3.00 [76.2]	6.20 [157.5]	6.59 [167.4]	6.83 [173.5]	6.92 [175.8]	6.85 [174.0]	6.63 [168.4]	6.25 [158.8]	5.78 [146.8]	5.31 [134.9]	4.84 [122.9]	4.37 [111.0]	3.90 [99.1]
4.00 [101.6]	8.16 [207.3]	8.45 [214.6]	8.57 [217.7]	8.54 [216.9]	8.35 [212.1]	8.00 [203.2]	7.50 [190.5]	6.89 [175.0]	6.29 [159.8]	5.69 [144.5]	5.08 [129.0]	4.48 [113.8]
5.00 [127.0]	10.15 [257.8]	10.30 [261.6]	10.30 [261.6]	10.15 [257.8]	9.84 [249.9]	9.37 [238.0]	8.72 [221.5]	7.98 [202.7]	7.23 [183.6]	6.49 [164.8]	5.75 [146.1]	5.00 [127.0]
6.00 [152.4]	12.15 [308.6]	12.18 [309.4]	12.03 [305.6]	11.78 [299.2]	11.34 [288.0]	10.74 [272.8]	9.93 [252.2]	9.04 [229.6]	8.15 [207.0]	7.25 [184.2]	6.36 [161.5]	5.46 [138.7]
7.00 [177.8]	14.11 [358.4]	14.00 [355.6]	13.77 [349.8]	13.36 [339.3]	12.78 [324.6]	12.00 [304.8]	11.08 [281.4]	10.01 [254.3]	9.95 [252.7]	7.90 [200.7]	6.84 [173.7]	5.79 [147.1]
8.00 [203.2]	16.12 [409.4]	15.88 [403.4]	15.49 [393.4]	14.93 [379.2]	14.19 [360.4]	13.25 [336.6]	12.11 [307.6]	10.87 [276.1]	10.87 [244.9]	8.41 [213.6]	7.17 [182.1]	5.94 [150.9]
9.00 [228.6]	18.03 [458.0]	17.69 [449.3]	17.15 [435.6]	16.44 [417.6]	15.53 [394.5]	14.40 [365.8]	13.04 [331.2]	11.61 [294.9]	10.18 [258.6]	8.75 [222.3]	7.32 [185.9]	5.90 [149.9]
10.00 [254.0]	20.09 [510.3]	19.56 [496.8]	18.86 [479.0]	17.98 [456.7]	16.85 [428.0]	15.49 [393.4]	13.87 [352.3]	12.20 [309.9]	10.54 [267.7]	8.88 [225.6]	7.22 [183.4]	5.56 [141.2]
11.11 [282.2]	22.30 [566.4]	21.59 [548.4]	20.68 [525.3]	19.56 [496.8]	18.18 [461.8]	16.49 [418.8]	14.54 [369.3]	12.57 [319.3]	10.60 [269.2]	8.63 [219.2]	6.66 [169.2]	4.69 [119.1]

POSI LOCK MODELS PHB108/PHB208 GEAR AND BEARING PULLERS

MODEL PHB108

10 TON (9.3 METRIC TONS)
3 JAW - EXTRA LONG JAWS
RAM STROKE 6.13 (155.7)
REACH 8.00 (203.2)
SPREAD .75 (19.0 TO 12.0 (304.8))
WT. 16.1 (7.30kg)
RATED FOR 10000 PSI

MODEL PHB208

10 TON (9.3 METRIC TONS)
2 JAW - EXTRA LONG JAWS
RAM STROKE 6.13 (155.7)
REACH 8.00 (203.2)
SPREAD .75 (19.0 TO 12.0 (304.8))
WT. 14.1 (6.40kg)
RATED FOR 10000 PSI

PHB-108/208 Extra Long Jaws

HYDRAULIC PULLER

Page 2 of 2

