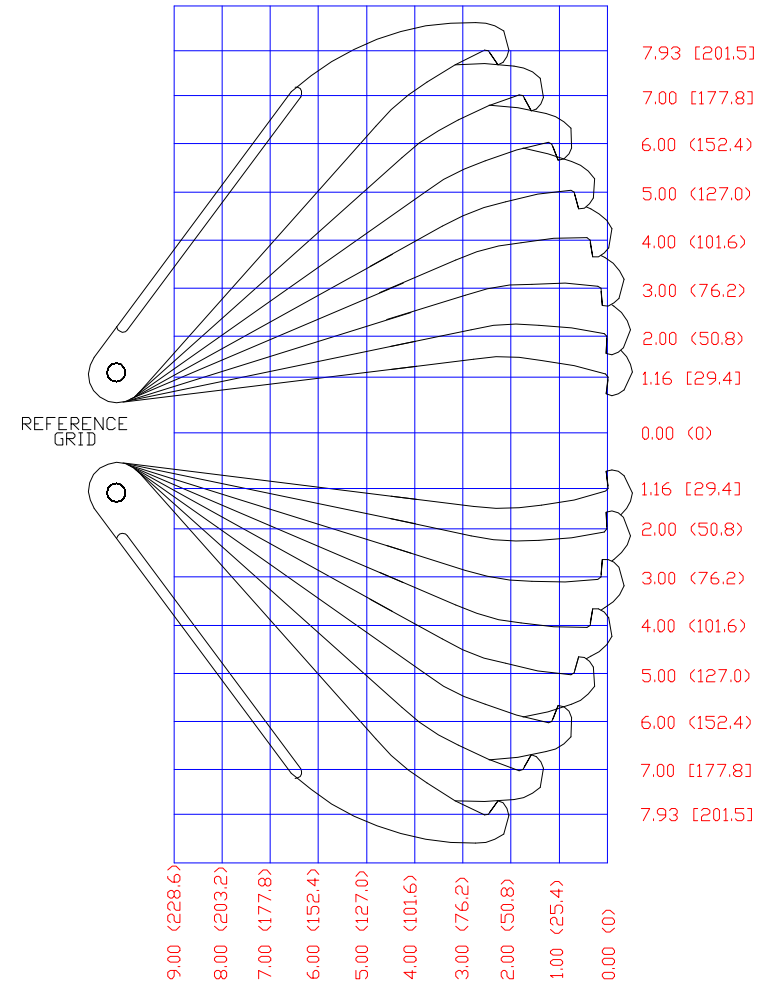
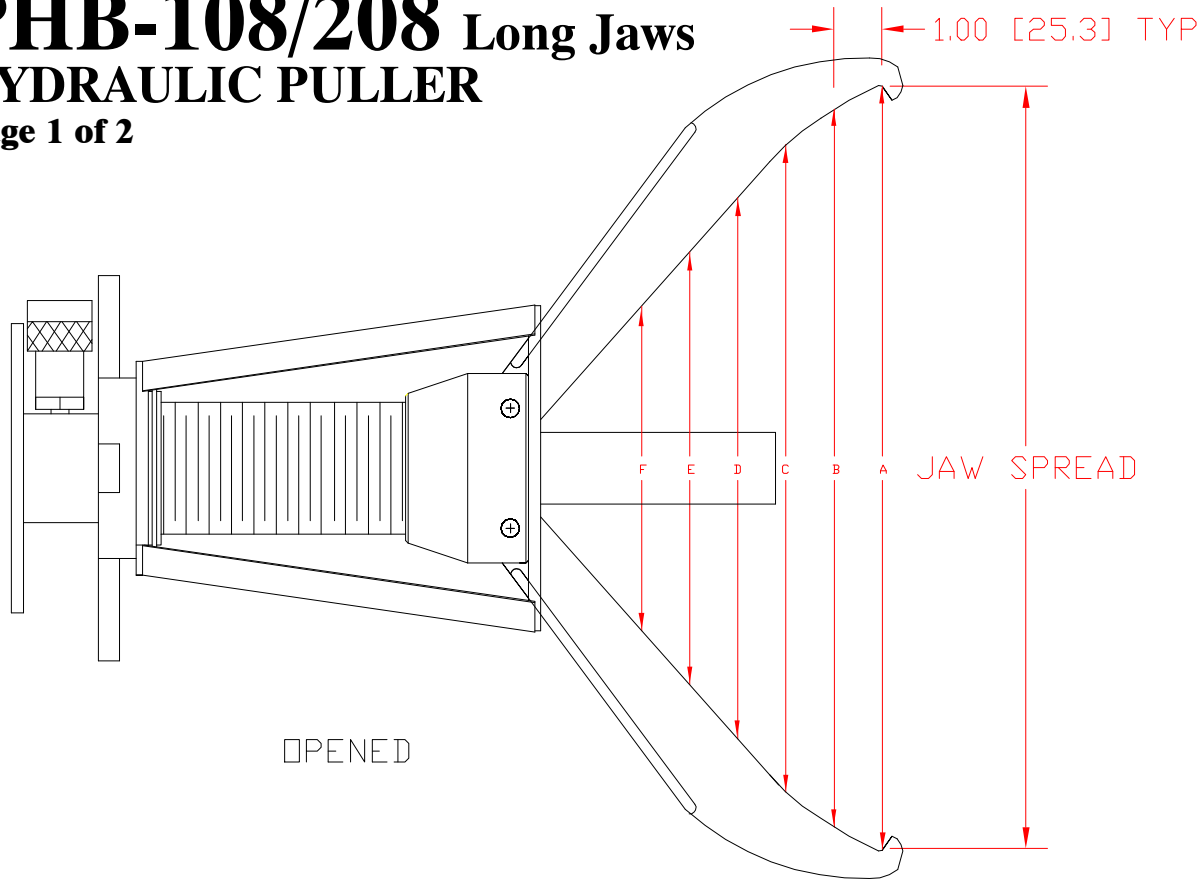


PHB-108/208 Long Jaws HYDRAULIC PULLER

Page 1 of 2



JAW SPREAD	DIM A	DIM B	DIM C	DIM D	DIM E	DIM F
2.32(58.9)	2.91 (73.8)	3.15 (80.0)	3.00 (76.2)	2.75 (69.9)	2.51 (63.7)	2.26 (57.5)
4.00 (101.6)	4.42 (112.2)	4.51 (114.4)	4.21 (106.8)	3.79 (96.3)	3.37 (85.7)	2.96 (75.1)
6.00 (152.4)	6.21 (157.7)	6.10 (155.0)	5.60 (142.2)	4.97 (126.3)	4.35 (110.4)	3.86 (98.1)
8.00 (203.2)	8.01 (203.5)	7.71 (195.9)	6.99 (177.3)	6.12 (155.6)	5.27 (133.8)	4.41 (112.1)
10.00 (254.0)	9.80 (248.9)	9.27 (235.4)	8.27 (210.2)	7.16 (182.0)	6.03 (153.1)	4.95 (125.6)
12.00 (304.8)	11.57 (293.9)	10.79 (274.0)	9.48 (240.8)	8.07 (205.0)	6.66 (169.1)	5.25 (133.3)
14.00 (355.6)	13.33 (338.5)	12.24 (310.9)	10.53 (267.5)	87.5 (222.1)	6.69 (176.8)	5.17 (131.4)
15.86 (402.8)	14.91 (378.8)	13.45 (341.7)	11.24 (285.5)	8.99 (228.4)	6.74 (171.2)	4.49 (114.1)

POSI LOCK MODELS PHB108/PHB208 GEAR AND BEARING PULLERS

MODEL PHB108

10 TON (9.3 METRIC TONS)
3 JAW - LONG JAWS
RAM STROKE 6.13 (155.7)
REACH 9.80 (248.9)
SPREAD 2.32 (58.9 TO 15.86 (402.8)
WT. 17.6 (7.99kg)
RATED FOR 10000 PSI

MODEL PHB208

10 TON (9.3 METRIC TONS)
2 JAW - LONG JAWS
RAM STROKE 6.0 (152.4)
REACH 9.80 (248.9)
SPREAD 2.32 (58.9 TO 15.86 (402.8)
WT. 15.1 (6.85kg)
RATED FOR 10000 PSI

PHB-108/208 Long Jaws HYDRAULIC PULLER

Page 2 of 2

RAM POINT SET

