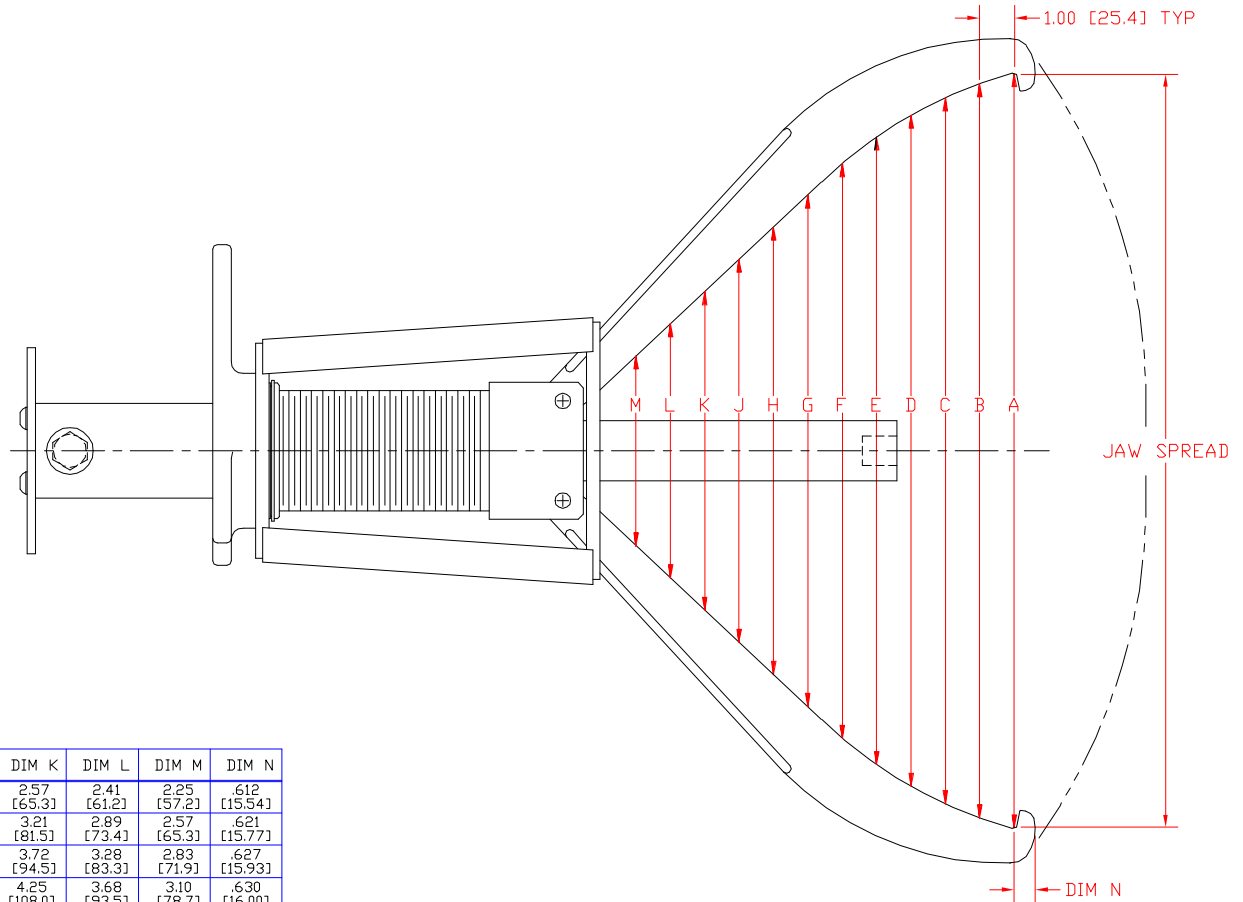


# PHB-110/210 Long Jaws HYDRAULIC PULLER

Page 1 of 3

POSI LOCK MODELS  
PHB110/PHB210 LONG JAWS  
GEAR AND BEARING PULLER

MODEL PHB110	MODEL PHB210
15 TON [13.7 METRIC TONS]	15 TON [13.7 METRIC TONS]
3 LONG JAWS	2 LONG JAWS
RAM STROKE 10.0 [254.0]	RAM STROKE 10.0 [254.0]
REACH 15.75 [400.0]	REACH 15.75 [400.0]
SPREAD 1.50 [38.1] TO 22.0 [558.8]	SPREAD 1.50 [38.1] TO 22.0 [558.8]
WT. 61 Lbs.[27.7 kg]	WT. 55 Lbs.[24.9 kg]
RATED FOR 10000 PSI	RATED FOR 10000 PSI

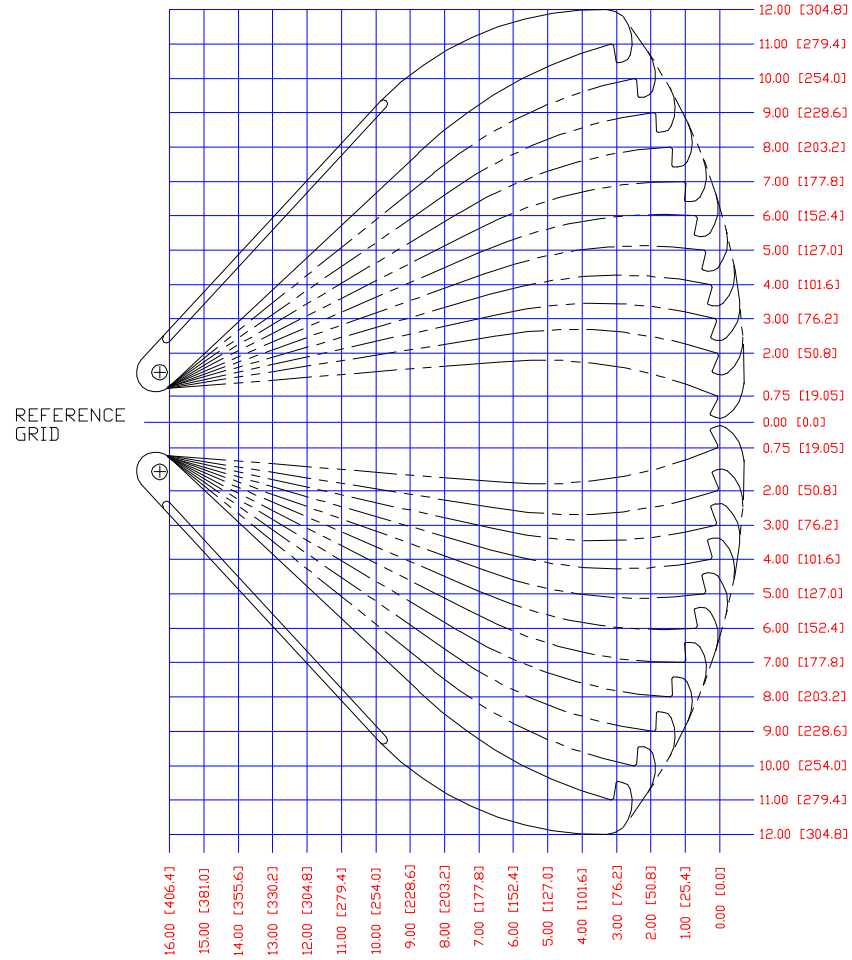
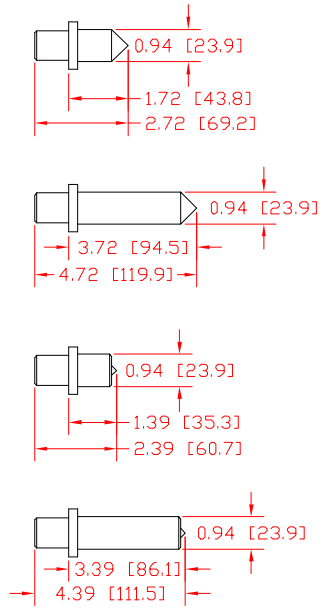


JAW SPREAD	DIM A	DIM B	DIM C	DIM D	DIM E	DIM F	DIM G	DIM H	DIM J	DIM K	DIM L	DIM M	DIM N
1.50 [38.1]	3.29 [83.6]	3.53 [89.7]	3.61 [91.7]	3.54 [89.9]	3.38 [85.9]	3.21 [81.5]	3.05 [77.5]	2.89 [73.4]	2.73 [69.3]	2.57 [65.3]	2.41 [61.2]	2.25 [57.2]	.612 [15.54]
4.00 [101.6]	5.30 [134.6]	5.39 [136.9]	5.33 [135.4]	5.11 [129.8]	4.79 [121.7]	4.48 [113.8]	4.16 [105.7]	3.84 [97.5]	3.53 [89.7]	3.21 [81.5]	2.89 [73.4]	2.57 [65.3]	.621 [15.77]
6.00 [152.4]	6.91 [175.5]	6.89 [175.0]	6.72 [170.7]	6.39 [162.3]	5.95 [151.1]	5.50 [139.7]	5.06 [128.5]	4.61 [117.1]	4.17 [105.9]	3.72 [94.5]	3.28 [83.3]	2.83 [71.9]	.627 [15.93]
8.00 [203.2]	8.54 [216.9]	8.42 [213.9]	8.15 [207.0]	7.71 [195.8]	7.14 [181.4]	6.56 [166.6]	5.99 [152.1]	5.41 [137.4]	4.83 [122.7]	4.25 [108.0]	3.68 [93.5]	3.10 [78.7]	.630 [16.00]
10.0 [254.0]	10.20 [259.1]	9.99 [253.7]	9.62 [244.3]	9.08 [230.6]	8.39 [213.1]	7.67 [194.8]	6.95 [176.5]	6.24 [160.2]	5.52 [140.2]	4.81 [122.2]	4.09 [103.9]	3.37 [85.6]	.630 [16.00]
12.0 [304.8]	11.92 [302.8]	11.62 [295.1]	11.15 [283.2]	10.52 [267.2]	9.70 [246.4]	8.84 [224.5]	7.98 [202.7]	7.11 [180.6]	6.25 [158.8]	5.39 [136.9]	4.52 [114.8]	3.66 [93.0]	.627 [15.93]
14.0 [355.6]	13.71 [348.2]	13.32 [338.3]	12.77 [324.4]	12.04 [305.8]	11.12 [282.4]	10.09 [256.3]	9.07 [230.4]	8.05 [204.5]	7.03 [178.6]	6.01 [152.7]	4.99 [126.7]	3.96 [100.6]	.621 [15.77]
16.0 [406.4]	15.58 [395.7]	15.12 [384.0]	14.49 [368.0]	13.68 [347.5]	12.65 [321.3]	11.46 [291.1]	10.27 [260.9]	9.07 [230.4]	7.88 [200.2]	6.68 [169.7]	5.49 [139.4]	4.29 [109.0]	.614 [15.60]
18.0 [457.2]	17.57 [446.3]	17.05 [433.1]	16.34 [415.0]	15.44 [392.2]	14.33 [364.0]	12.99 [329.9]	11.60 [294.6]	10.21 [259.3]	8.82 [224.0]	7.43 [188.7]	6.04 [153.4]	4.65 [118.1]	.604 [15.34]
20.0 [508.0]	19.70 [500.4]	19.11 [485.4]	18.35 [466.1]	17.38 [441.5]	16.19 [411.2]	14.73 [374.1]	13.11 [333.0]	11.50 [292.1]	9.89 [251.2]	8.28 [210.3]	6.67 [169.4]	5.06 [128.5]	.591 [15.01]
22.0 [558.8]	22.00 [558.8]	21.37 [542.8]	20.55 [522.0]	19.53 [496.1]	18.27 [464.1]	16.72 [424.7]	14.89 [378.2]	13.02 [330.7]	11.15 [283.2]	9.27 [235.5]	7.40 [188.0]	5.53 [140.5]	.573 [14.55]

# PHB-110/210 Long Jaws HYDRAULIC PULLER

Page 2 of 3

## RAM POINT SET



# PHB-110/210 Long Jaws HYDRAULIC PULLER

Page 3 of 3

