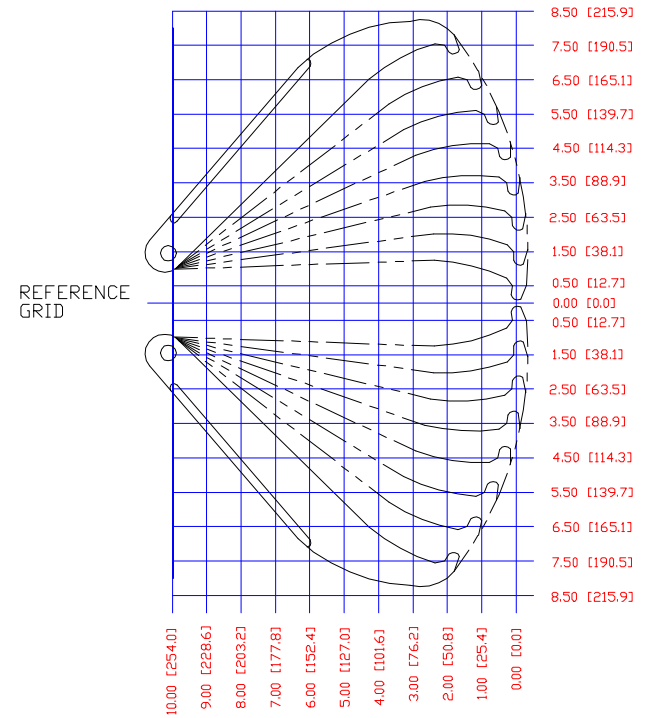
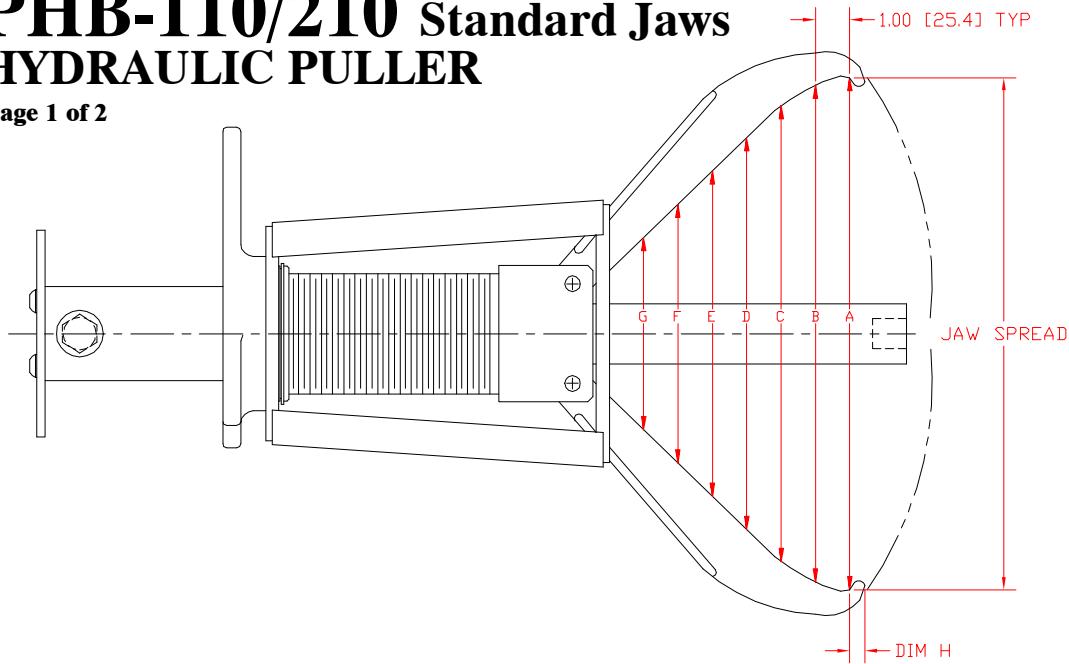


PHB-110/210 Standard Jaws HYDRAULIC PULLER

Page 1 of 2



JAW SPREAD	DIM A	DIM B	DIM C	DIM D	DIM E	DIM F	DIM G	DIM H
1.00 [25.4]	2.46 [62.5]	2.45 [62.2]	2.38 [60.5]	2.31 [58.7]	2.24 [56.9]	2.17 [55.1]	2.10 [53.3]	.243 [6.17]
3.00 [76.2]	4.06 [103.1]	3.85 [97.8]	3.58 [90.9]	3.31 [84.1]	3.04 [77.2]	2.77 [70.4]	2.50 [63.5]	.280 [7.11]
5.00 [127.0]	5.66 [143.8]	5.29 [134.4]	4.81 [122.2]	4.33 [110.0]	3.85 [97.8]	3.38 [85.9]	2.90 [73.7]	.315 [8.00]
7.00 [177.8]	7.32 [185.9]	6.80 [172.7]	6.10 [154.9]	5.40 [137.2]	4.71 [119.6]	4.00 [101.6]	3.31 [84.1]	.347 [8.81]
9.00 [228.6]	9.07 [230.4]	8.44 [214.4]	7.51 [190.8]	6.57 [166.9]	5.63 [143.0]	4.69 [119.1]	3.76 [95.5]	.376 [9.55]
11.0 [279.4]	10.95 [278.1]	10.26 [260.6]	9.10 [231.1]	7.89 [200.4]	6.67 [169.4]	5.46 [138.7]	4.25 [108.0]	.401 [10.19]
13.0 [330.2]	12.99 [329.9]	12.27 [311.7]	10.99 [279.1]	9.45 [240.0]	7.91 [200.9]	6.37 [161.8]	4.83 [122.7]	.424 [10.77]
15.0 [381.0]	15.00 [381.0]	14.54 [369.3]	13.33 [338.6]	11.44 [290.6]	9.48 [240.8]	7.51 [190.8]	5.55 [141.0]	.441 [11.20]

POSI LOCK MODELS PHB110\PHB210 GEAR AND BEARING PULLER

MODEL PHB110

15 TON [13.7 METRIC TONS]
3 JAW - STANDARD
RAM STROKE 10.0 [254.0]
REACH 9.75 [247.7]
SPREAD 1.0 [25.4] TO 15.0 [381.0]
WT. 52 Lbs.[23 kg]
RATED FOR 10000 PSI

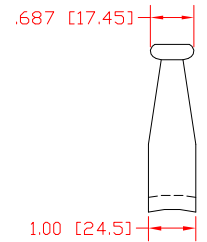
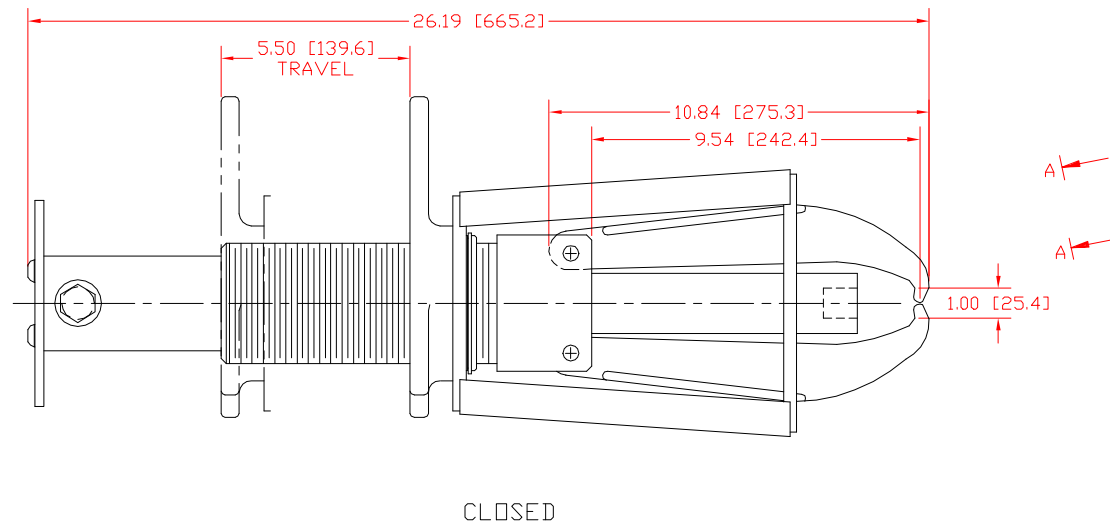
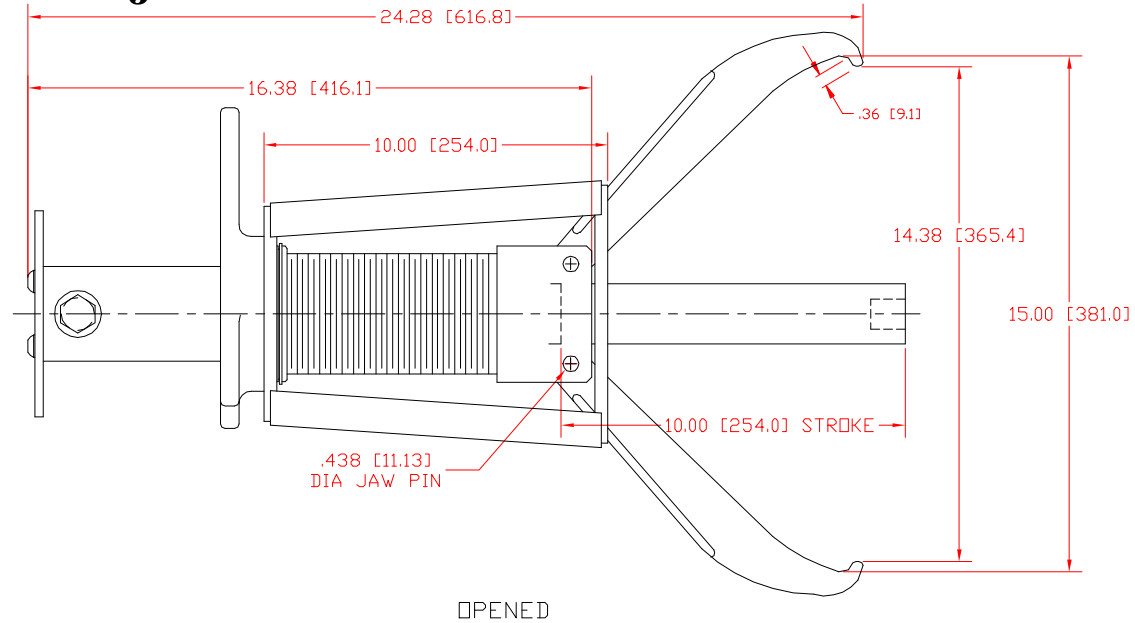
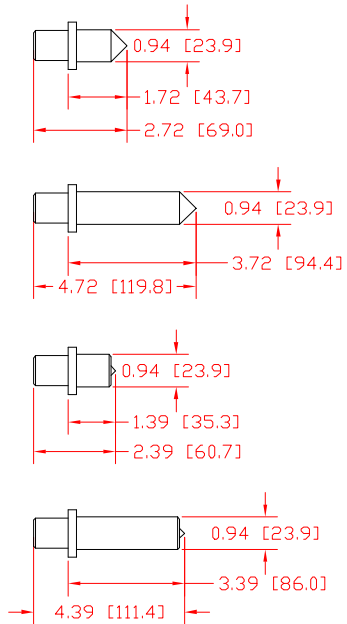
MODEL PHB210

15 TON [13.7 METRIC TONS]
2 JAW - STANDARD
RAM STROKE 10.0 [254.0]
REACH 9.75 [247.7]
SPREAD 1.0 [25.4] TO 15.0 [381.0]
WT. 49 Lbs.[22 kg]
RATED FOR 10000 PSI

PHB-110/210 Standard Jaws HYDRAULIC PULLER

Page 2 of 2

RAM POINT SET



VIEW A-A
JAW ONLY