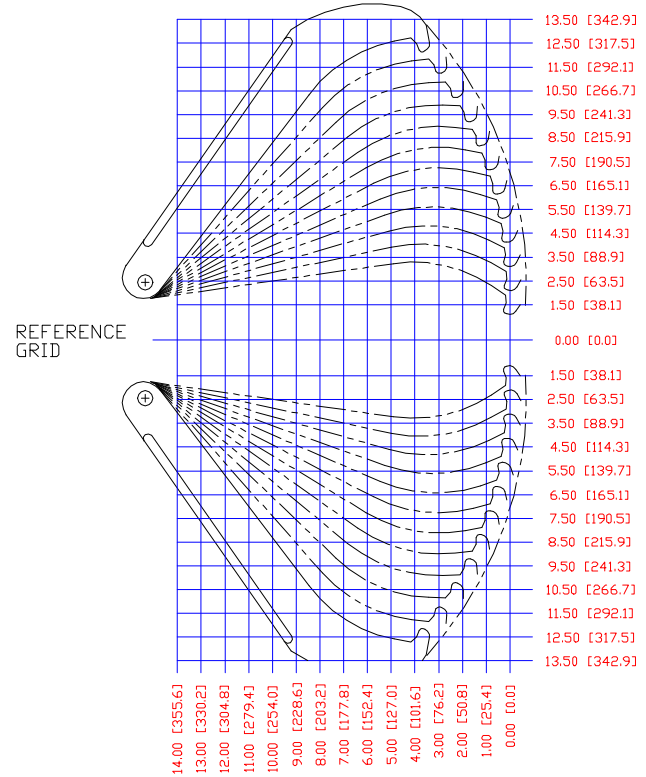
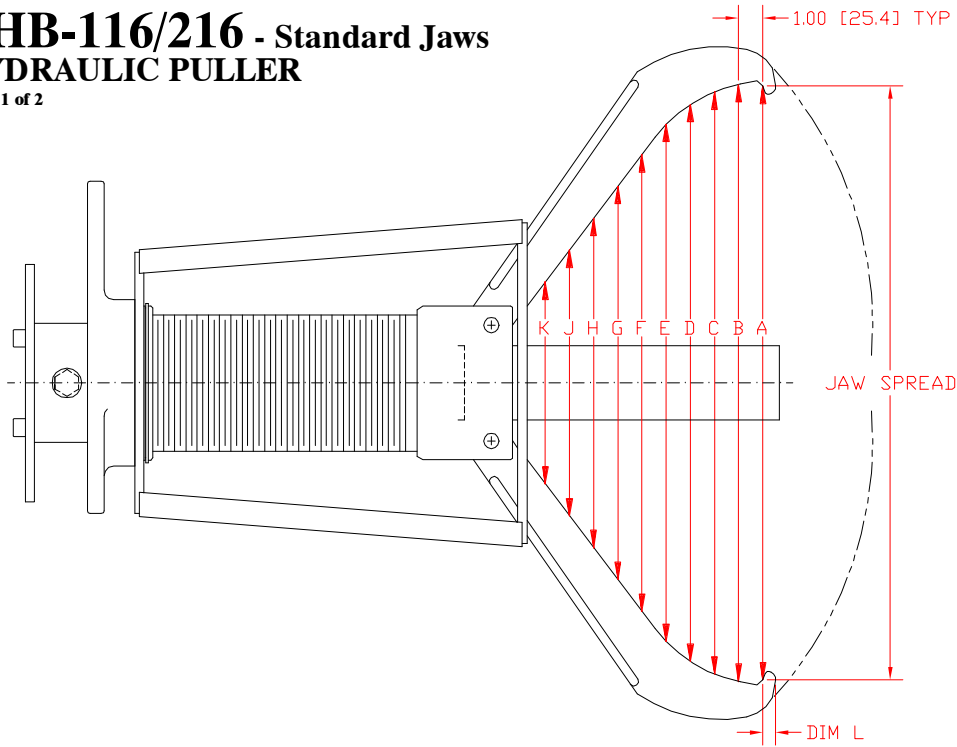


PHB-116/216 - Standard Jaws HYDRAULIC PULLER

Page 1 of 2



JAW SPREAD	DIM A	DIM B	DIM C	DIM D	DIM E	DIM F	DIM G	DIM H	DIM J	DIM K	DIM L
3.00 [76.2]	6.57 [166.9]	6.44 [163.6]	6.15 [156.2]	5.86 [148.8]	5.56 [141.2]	5.27 [133.9]	4.98 [126.5]	4.68 [118.9]	4.39 [111.5]	4.10 [104.1]	.598 [15.19]
5.00 [127.0]	8.08 [205.2]	7.84 [199.1]	7.41 [188.2]	6.98 [177.3]	6.55 [166.4]	6.12 [155.4]	5.68 [144.3]	5.25 [133.4]	4.82 [122.4]	4.39 [111.5]	.602 [15.29]
7.00 [177.8]	9.61 [244.1]	9.28 [235.7]	8.71 [221.2]	8.13 [206.5]	7.56 [192.0]	6.98 [177.3]	6.41 [162.8]	5.83 [148.1]	5.26 [133.6]	4.68 [118.9]	.603 [15.32]
9.00 [228.6]	11.16 [283.5]	10.75 [273.1]	10.05 [255.3]	9.32 [236.7]	8.60 [218.4]	7.88 [200.2]	7.15 [181.6]	6.43 [163.3]	5.71 [145.0]	4.99 [126.7]	.602 [15.29]
11.00 [279.4]	12.75 [323.9]	12.28 [311.9]	11.46 [291.1]	10.58 [268.7]	9.70 [246.4]	8.82 [224.0]	7.94 [201.7]	7.06 [179.3]	6.18 [157.0]	5.30 [134.6]	.598 [15.19]
13.00 [330.2]	14.39 [365.5]	13.88 [352.6]	12.97 [329.4]	11.92 [302.8]	10.87 [276.1]	9.82 [249.4]	8.77 [222.8]	7.72 [196.1]	6.67 [169.4]	5.62 [142.7]	.591 [15.01]
15.00 [381.0]	16.08 [408.4]	15.56 [395.2]	14.62 [371.3]	13.38 [339.9]	12.15 [308.6]	10.91 [277.1]	9.68 [245.9]	8.44 [214.4]	7.21 [183.1]	5.97 [151.6]	.581 [14.76]
17.00 [431.8]	17.85 [453.4]	17.33 [440.2]	16.39 [416.3]	15.01 [381.3]	13.57 [344.7]	12.12 [307.8]	10.68 [271.3]	9.24 [234.7]	7.80 [198.1]	6.36 [161.5]	.568 [14.43]
19.00 [482.6]	19.68 [499.9]	19.19 [487.4]	18.29 [464.6]	16.85 [428.0]	15.18 [385.6]	13.50 [342.9]	11.82 [300.2]	10.14 [257.6]	8.46 [214.9]	6.78 [172.2]	.552 [14.02]
21.00 [533.4]	21.58 [548.1]	21.15 [537.2]	20.32 [516.1]	18.97 [481.8]	17.06 [433.3]	15.10 [383.5]	13.15 [334.0]	11.19 [284.2]	9.23 [234.4]	7.28 [184.9]	.532 [13.51]
23.00 [584.2]	23.57 [598.7]	23.21 [589.5]	22.47 [570.7]	21.26 [540.0]	19.35 [491.5]	17.05 [433.1]	14.76 [374.9]	12.46 [316.5]	10.16 [258.1]	7.86 [199.6]	.507 [12.88]
25.00 [635.0]	25.00 [635.0]	25.13 [638.3]	24.51 [622.6]	23.45 [595.6]	21.78 [553.2]	19.24 [488.7]	16.56 [420.6]	13.88 [352.6]	11.20 [284.5]	8.51 [216.2]	.481 [12.22]

POSI LOCK MODELS PHB116\PHB216 GEAR AND BEARING PULLER

MODEL PHB116

50 TON [45.6 METRIC TONS]
3 JAW - STANDARD
RAM STROKE 13.25 [336.6]
REACH 14.0 [355.6]
SPREAD 3.0 [76.2] TO 25.0 [635.0]
WT. 202 Lbs. [91 kg]
RATED FOR 10000 PSI

MODEL PHB216

50 TON [45.6 METRIC TONS]
2 JAW - STANDARD
RAM STROKE 13.25 [336.6]
REACH 14.0 [355.6]
SPREAD 3.0 [76.2] TO 25.0 [635.0]
WT. 192 Lbs. 87 kg
RATED FOR 10000 PSI

PHB-116/216 - Standard Jaws HYDRAULIC PULLER

Page 2 of 2

RAM POINT SET

