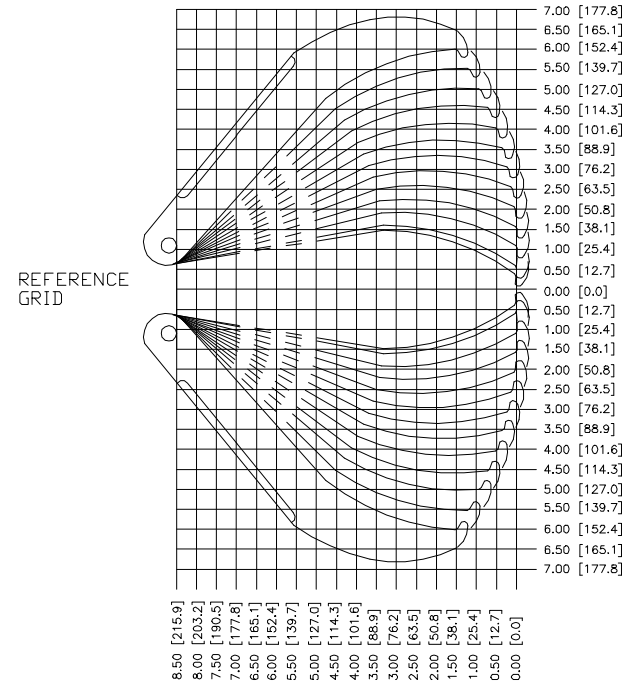
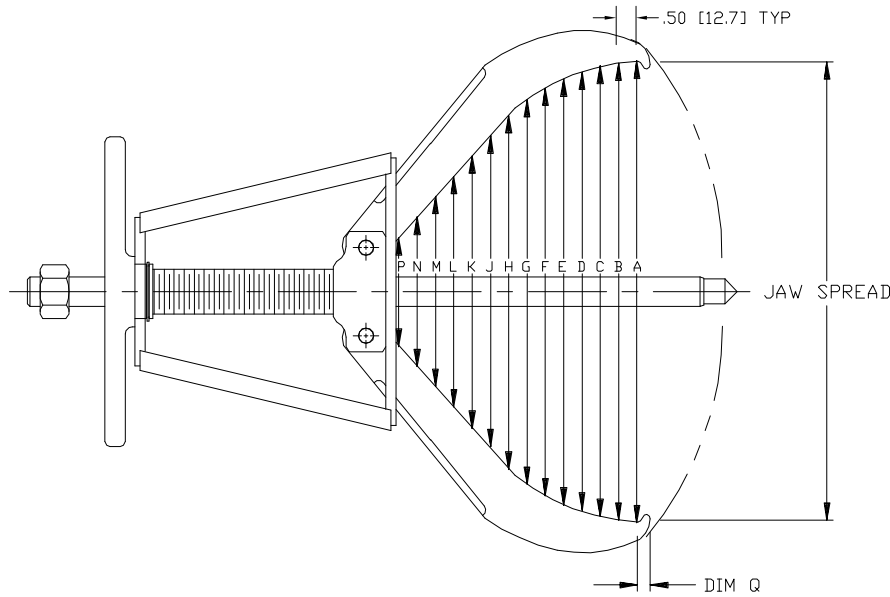


108 / 208 Manual Puller



JAWSPREAD	DIM A	DIM B	DIM C	DIM D	DIM E	DIM F	DIM G	DIM H	DIM J	DIM K	DIM L	DIM M	DIM N	DIM P	DIM Q
0.75 [19.1]	0.79 [20.1]	1.41 [35.8]	1.95 [49.5]	2.32 [58.9]	2.62 [66.5]	2.83 [71.9]	2.94 [74.7]	2.90 [73.7]	2.71 [68.8]	2.57 [65.3]	2.41 [61.2]	2.25 [57.2]	2.09 [53.1]	1.93 [49.0]	0.365 [9.27]
1.00 [25.4]	1.19 [30.2]	1.80 [45.7]	2.29 [58.2]	2.67 [67.8]	2.95 [74.9]	3.11 [79.0]	3.20 [81.3]	3.14 [79.8]	2.95 [74.9]	2.77 [70.4]	2.58 [65.5]	2.40 [61.0]	2.21 [56.1]	2.03 [51.6]	0.343 [8.71]
2.00 [50.8]	2.20 [55.9]	2.75 [69.9]	3.17 [80.5]	3.48 [88.4]	3.70 [94.0]	3.82 [97.0]	3.86 [98.0]	3.75 [95.3]	3.51 [89.2]	3.26 [82.8]	3.02 [76.7]	2.77 [70.4]	2.53 [64.3]	2.28 [57.9]	0.307 [7.80]
3.00 [76.2]	3.20 [81.3]	3.68 [93.5]	4.02 [102.1]	4.28 [108.7]	4.43 [112.5]	4.50 [114.3]	4.48 [113.8]	4.33 [110.0]	4.03 [102.4]	3.72 [94.5]	3.42 [86.9]	3.11 [79.0]	2.81 [71.4]	2.50 [63.5]	0.300 [7.62]
4.00 [101.6]	4.14 [105.2]	4.55 [115.6]	4.85 [123.2]	5.06 [128.5]	5.17 [131.3]	5.20 [132.1]	5.14 [130.6]	4.96 [126.0]	4.59 [116.6]	4.23 [107.4]	3.86 [98.0]	3.49 [88.6]	3.12 [79.2]	2.75 [69.9]	0.271 [6.88]
5.00 [127.0]	5.12 [130.0]	5.47 [138.9]	5.71 [145.0]	5.86 [148.8]	5.93 [150.6]	5.90 [149.9]	5.78 [146.8]	5.56 [141.2]	5.12 [130.0]	4.69 [119.1]	4.26 [108.2]	3.82 [97.0]	3.38 [85.9]	2.95 [74.9]	0.249 [6.32]
6.00 [152.4]	6.13 [155.7]	6.40 [162.6]	6.59 [167.4]	6.68 [169.7]	6.69 [169.9]	6.62 [168.1]	6.45 [163.8]	6.18 [157.0]	5.67 [144.0]	5.16 [131.1]	4.65 [118.1]	4.15 [105.4]	3.64 [92.5]	3.13 [79.5]	0.234 [5.94]
7.00 [177.8]	7.04 [178.8]	7.28 [184.9]	7.42 [188.5]	7.47 [189.7]	7.42 [188.5]	7.29 [185.2]	7.07 [179.6]	6.75 [171.5]	6.16 [156.5]	5.58 [141.7]	5.00 [127.0]	4.42 [112.3]	3.84 [97.5]	3.28 [83.3]	0.219 [5.56]
8.00 [203.2]	8.03 [204.0]	8.23 [209.0]	8.31 [211.1]	8.30 [210.8]	8.20 [208.3]	8.01 [203.5]	7.72 [196.1]	7.33 [186.2]	6.66 [169.2]	5.99 [152.1]	5.33 [135.4]	4.66 [118.4]	4.00 [101.6]	3.33 [84.6]	0.205 [5.21]
9.00 [228.6]	9.07 [230.4]	9.18 [233.2]	9.19 [233.4]	9.12 [231.6]	8.95 [227.3]	8.69 [220.7]	8.33 [211.6]	7.83 [198.9]	7.07 [179.6]	6.32 [160.5]	5.57 [141.5]	4.80 [121.9]	4.04 [102.6]	3.31 [84.1]	0.198 [5.03]
10.00 [254.0]	10.02 [254.5]	10.05 [255.3]	10.00 [254.0]	9.86 [250.4]	9.62 [244.3]	9.29 [236.0]	8.85 [224.8]	8.22 [208.8]	7.35 [186.7]	6.51 [165.4]	5.66 [143.8]	4.80 [121.9]	3.94 [100.1]	3.09 [78.5]	0.176 [4.47]
11.00 [279.4]	11.06 [280.9]	11.03 [280.2]	10.91 [277.1]	10.70 [271.8]	10.40 [264.2]	9.98 [253.5]	9.45 [240.0]	8.69 [220.7]	7.74 [196.6]	6.72 [170.7]	5.74 [145.8]	4.76 [120.9]	3.78 [96.0]	2.83 [71.9]	0.168 [4.27]
12.00 [304.8]	12.02 [305.3]	11.93 [303.0]	11.74 [298.2]	11.46 [291.1]	11.08 [281.4]	10.58 [268.7]	9.94 [252.5]	9.01 [228.9]	7.89 [200.4]	6.77 [172.0]	5.65 [143.5]	4.53 [115.1]	3.41 [86.6]	2.29 [58.2]	0.161 [4.09]

POSI LOCK MODELS 108\208 GEAR AND BEARING PULLER

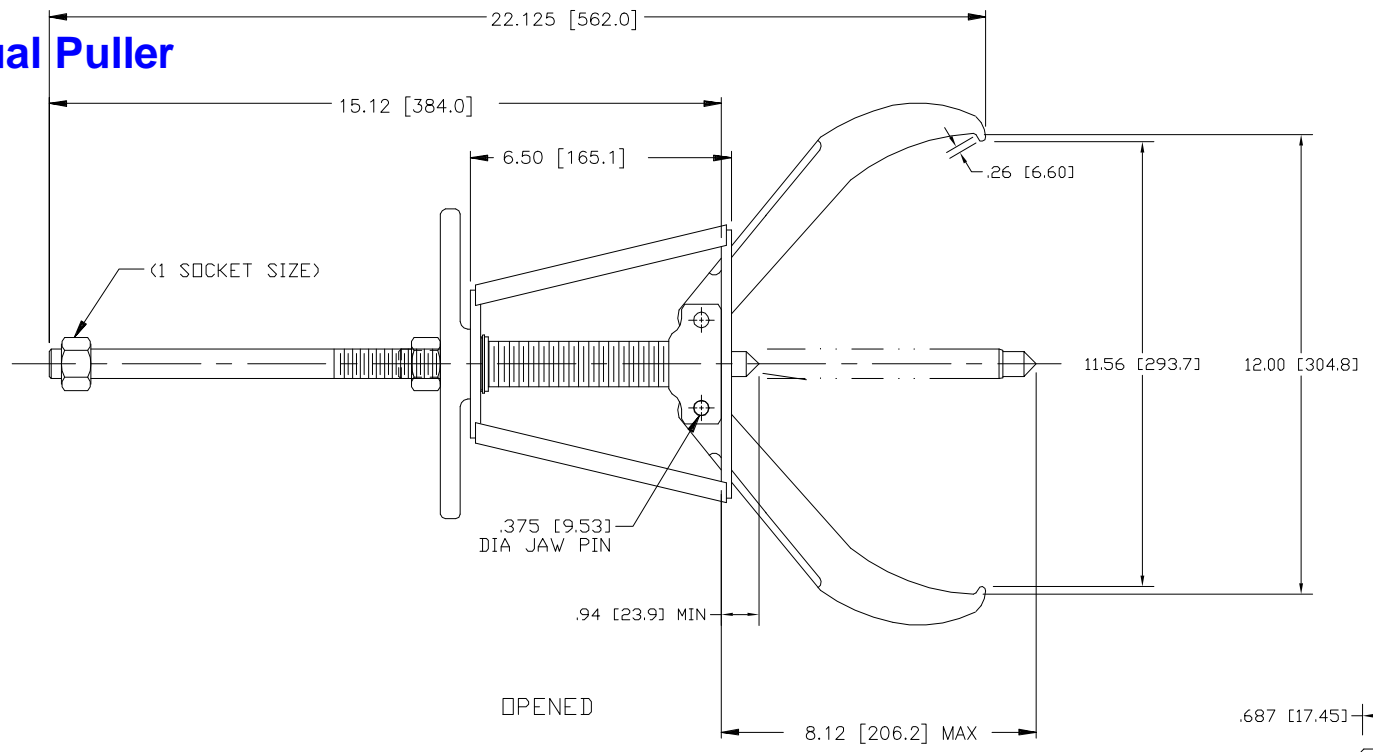
MODEL 108

17 TON [15.47 METRIC TONS]
3 JAW
REACH 8.00 [203.2]
SPREAD .75 [19.1] TO 12 [304.8]
WT. 13 Lbs. [5.9 kg]
MAXIMUM TORQUE
220 FOOT POUNDS [299 N-m]

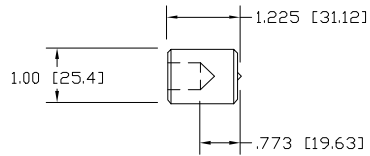
MODEL 208

12 TON [10.92 METRIC TONS]
2 JAW
REACH 8.00 [203.2]
SPREAD .75 [19.1] TO 12 [304.8]
WT. 11 Lbs. [5.0 kg]
MAXIMUM TORQUE
150 FOOT POUNDS [204 N-m]

108 / 208 Manual Puller



SHAFT PROTECTOR



OPTIONAL SHAFT EXTENSION
INCREASES CENTER BOLT
LENGTH BY 1.5"

