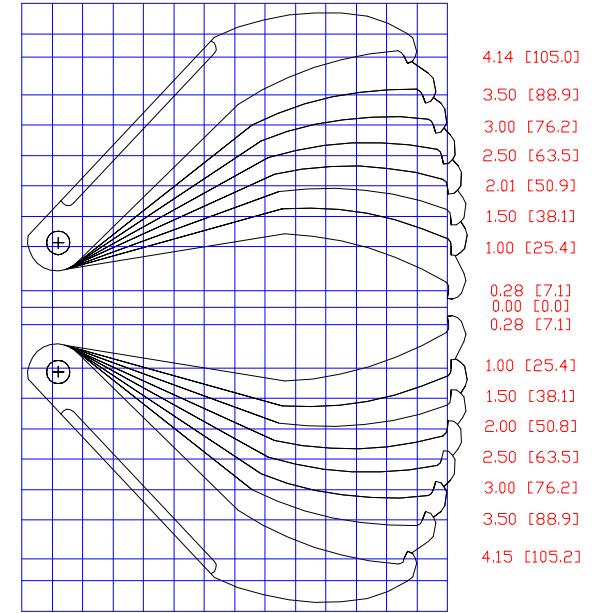
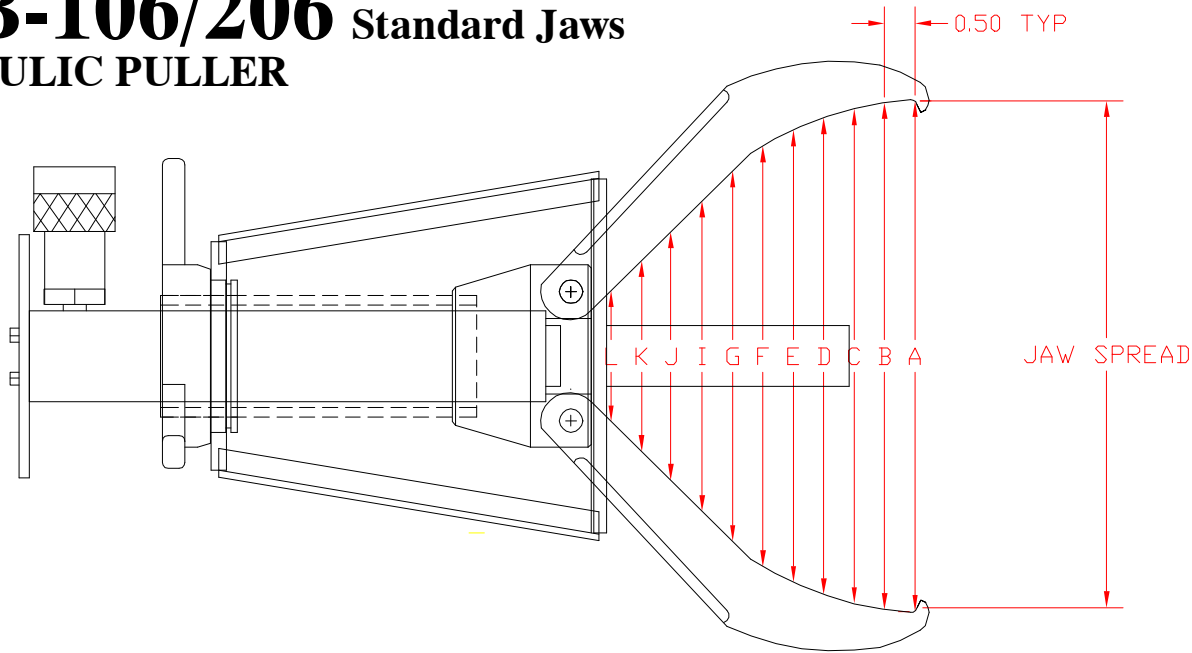


PHB-106/206 Standard Jaws

HYDRAULIC PULLER

Page 1 of 2



6.50 [165.1]
 6.00 [152.4]
 5.50 [139.7]
 5.00 [127.0]
 4.50 [114.3]
 4.00 [101.6]
 3.50 [88.9]
 3.00 [76.2]
 2.50 [63.5]
 2.00 [50.8]
 1.50 [38.1]
 1.00 [25.4]
 0.50 [12.7]
 0.00 [0.0]

JAW SPREAD	DIM A	DIM B	DIM C	DIM D	DIM E	DIM F	DIM G	DIM H	DIM J	DIM K	DIM L
0.58 [14.7]	0.68 [17.3]	1.32 [33.5]	1.75 [44.5]	2.06 [52.3]	2.28 [57.9]	2.40 [61.0]	2.33 [59.2]	2.17 [55.1]	2.00 [50.8]	1.84 [46.7]	1.68 [42.7]
2.00 [50.8]	2.05 [52.1]	2.61 [66.3]	2.92 [74.2]	3.13 [79.5]	3.25 [82.6]	3.27 [83.1]	3.13 [79.5]	2.85 [72.4]	2.57 [65.3]	2.29 [58.2]	2.01 [51.1]
3.00 [76.2]	3.00 [76.2]	3.51 [89.2]	3.74 [95.0]	3.88 [98.6]	3.93 [99.8]	3.89 [98.8]	3.68 [93.5]	3.32 [84.3]	2.95 [74.9]	2.59 [65.8]	2.23 [56.6]
4.00 [101.6]	4.00 [101.6]	4.43 [112.5]	4.59 [116.6]	4.65 [118.1]	4.62 [117.3]	4.51 [114.6]	4.23 [107.4]	3.78 [96.0]	3.32 [84.3]	2.87 [72.9]	2.41 [61.2]
5.00 [127.0]	5.00 [127.0]	5.34 [135.6]	5.42 [137.7]	5.41 [137.4]	5.31 [134.9]	5.11 [129.8]	4.76 [120.9]	4.20 [106.7]	3.65 [92.7]	3.10 [78.7]	2.54 [64.5]
6.00 [152.4]	6.00 [152.4]	6.27 [159.3]	6.27 [159.3]	6.18 [157.0]	6.00 [152.4]	5.72 [145.3]	5.26 [133.6]	4.59 [116.6]	3.93 [99.8]	3.27 [83.1]	2.60 [66.0]
7.00 [177.8]	7.00 [177.8]	7.18 [182.4]	7.10 [180.3]	6.92 [175.8]	6.66 [169.2]	6.29 [159.8]	5.70 [144.8]	4.91 [124.7]	4.13 [104.9]	3.34 [84.8]	2.55 [64.8]
8.29 [210.6]	8.29 [210.6]	8.35 [212.1]	8.16 [207.3]	7.87 [199.9]	7.48 [190.0]	6.97 [177.0]	6.16 [156.5]	5.17 [131.3]	4.19 [106.4]	3.21 [81.5]	2.22 [56.4]

POSI LOCK MODELS PHB106/PHB206
 GEAR AND BEARING PULLERS

MODEL PHB106

5 TON (4.75 METRIC TONS)
 3 JAW - STANDARD
 RAM STROKE 5.00 (127.0)
 REACH 6.00 (154.0)
 SPREAD .27 (6.8) TO 8.28 (210.4)
 WT. [kg]
 RATED FOR 10000 PSI

MODEL PHB206

5 TON (4.75 METRIC TONS)
 2 JAW - STANDARD
 RAM STROKE 5.00 (127.0)
 REACH 6.00 (154.0)
 SPREAD .27 (6.8) TO 8.28 (210.4)
 WT. [kg]
 RATED FOR 10000 PSI

PHB-106/206 Standard Jaws

HYDRAULIC PULLER

Page 2 of 2

