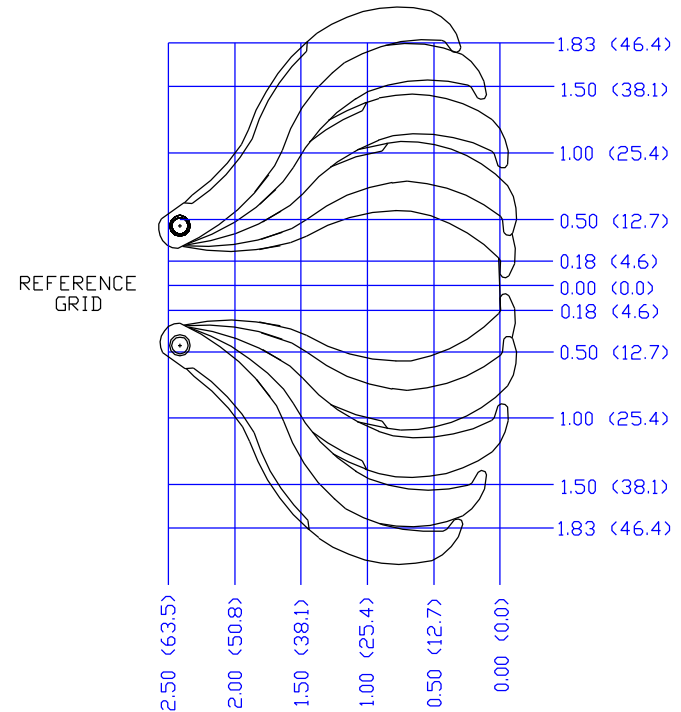
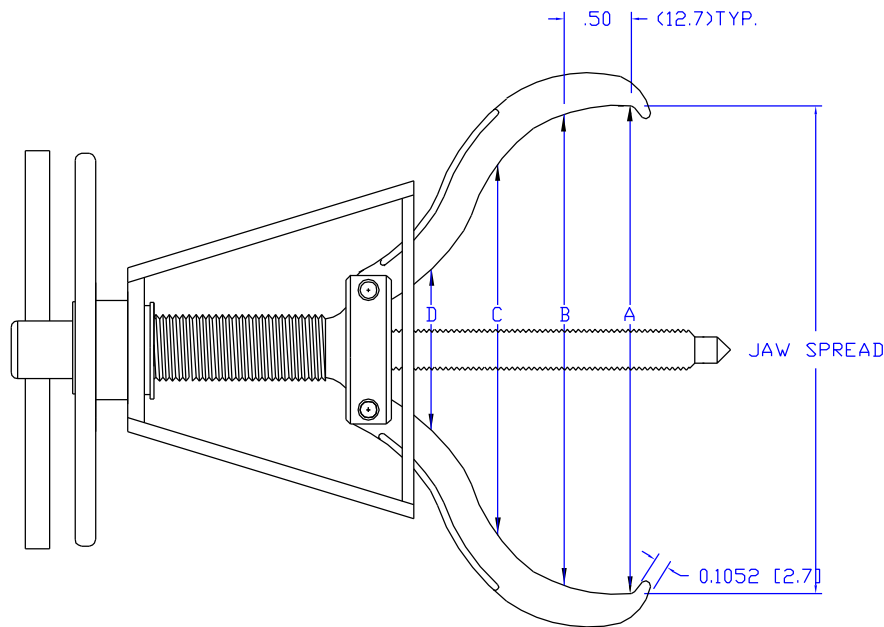


102 / 202 Manual Puller



JAW SPREAD	DIM A	DIM B	DIM C	DIM D
.36 (9.1)	.36 (9.1)	1.00 (25.4)	1.09 (27.6)	.70 (17.7)
1.00 (25.4)	1.00 (25.4)	1.52 (38.6)	1.47 (37.3)	.93 (23.6)
2.00 (50.8)	2.00 (50.8)	2.28 (57.9)	2.10 (53.3)	1.27 (32.4)
3.00 (76.2)	3.00 (76.2)	3.08 (78.2)	2.61 (66.4)	1.38 (35.2)
3.70 (94.0)	3.70 (94.0)	3.66 (92.9)	2.86 (72.6)	1.24 (31.6)

POSI LOCK MODELS 102/202 GEAR AND BEARING PULLER

MODEL 102	MODEL 202
1 TON (METRIC TONS)	1 TON (METRIC TONS)
3 JAW	2 JAW
REACH 2.25 (57.2)	REACH 2.25 (57.2)
SPREAD 0.25 (6.4) TO 3.25 (82.6)	SPREAD 0.25 (6.4) TO 3.25 (82.6)
WEIGHT .68 LBS. (.31KG)	WEIGHT .62 LBS. (.28KG)

102 / 202 Manual Puller

