



PT-3050 Hydraulic Cart

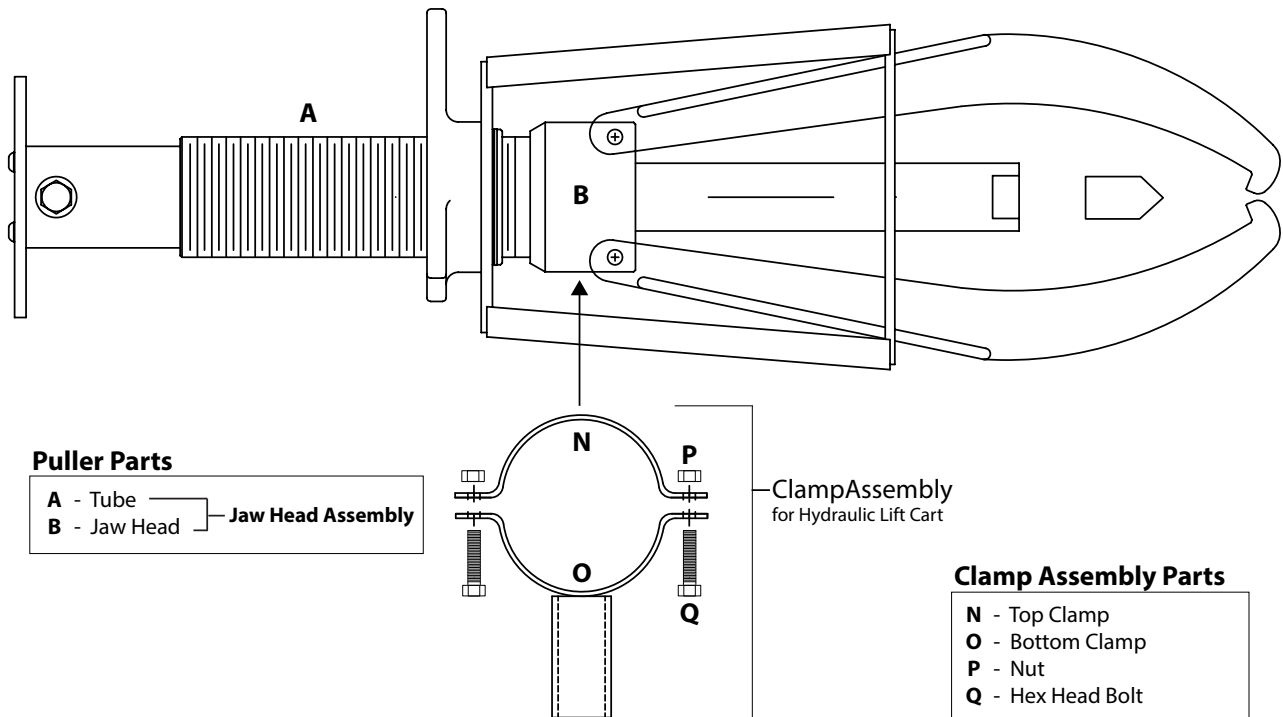
Mounting Instruction Sheet

Assembly Instructions:

1. Place puller on suitable work surface.
2. Place clamp assembly on jaw head (B) evenly spaced in safety cage.
3. Place top clamp (N) directly opposite bottom clamp (O).
4. Place hex head bolt (Q) through each end of clamp and tighten securely with supplied hardware (P).
5. Insert clamp assembly onto the hydraulic lift cart.

Before Use:

1. Inspect jack before each use. Do not use if components are bent, broken or cracked. Ensure that casters move freely. Check for and tighten any loose assemblies.
2. Verify that the product and the application are compatible.



Lubrication:

1. A coating of light lubricating oil to pivot points, axles, and hinges will help prevent rust and assure that wheels, caster and jack assemblies move freely.
2. Periodically check ram for signs of rust or corrosion. Clean as needed and wipe with an oily cloth.
3. **NEVER USE SANDPAPER OR ABRASIVE MATERIAL ON SURFACES!**

CAUTION

Be sure all tools and personnel are clear before lowering puller. Never use cart to raise or lower any object other than the puller itself.