



METRIC HORIZONTAL ALIGNMENT TOOL SET

Instruction Sheet

Instructions:

1. Loosen securing bolts (or stud bolt nuts) approximately one full turn.
2. Place alignment tool and eccentric socket over bolt head with reference mark on eccentric socket toward knurled nut.
3. Tighten knurled nut so contact is made between foot edge and allen screw.
4. Rotate the eccentric socket one-half turn or until desired position has been reached.
5. Repeat steps 2, 3 and 4 as necessary to achieve desired alignment.

Precise coupling end gap adjustment and horizontal adjustment is made easy by using POSI LOCK Horizontal Alignment Tool.

**ALWAYS READ THE MANUFACTURER'S INSTRUCTIONS BEFORE
PRODUCT USE.**

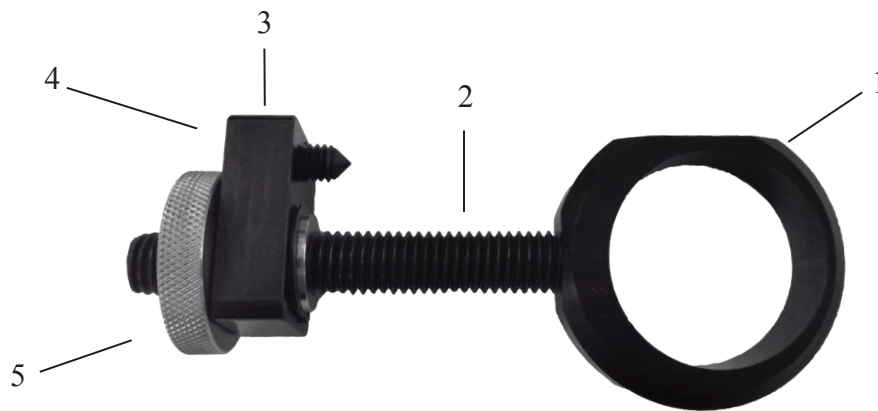
To view our horizontal alignment tool set product video, please visit our YouTube channel at: www.youtube.com/thecageisthekey.

Posi Lock Puller, Inc. | PO Box 246 | 805 Sunflower Avenue | Cooperstown, North Dakota | USA | 58425

Phone: 1-701-797-2600 | Toll Free: 1-800-533-5761 | Fax: 1-701-797-2706

info@posilock.com | www.posilock.com

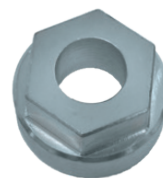
METRIC HORIZONTAL ALIGNMENT PARTS LIST



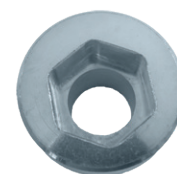
ITEM	ATN-1	ATN-2	ATN-3	ATN-4	ATN-5
1. Eccentric Ring	N-101	N-201	N-301	N-401	N-501
2. Adjustment Shaft	N-103	N-103	N-303	N-403	N-503
3. Allen Screw	N-104	N-104	N-304	N-404	N-504
4. Adjustment Plate	N-105	N-105	N-305	N-405	N-505
5. Knurled Nut	N-106	N-106	N-306	N-406	N-506

ECCENTRIC SOCKETS

MODEL	SOCKET SIZE
MES-1	13mm
MES-2	17mm
MES-3	19mm
MES-4	24mm
MES-5	30mm
MES-6	36mm
MES-7	46mm



Top View



Bottom View