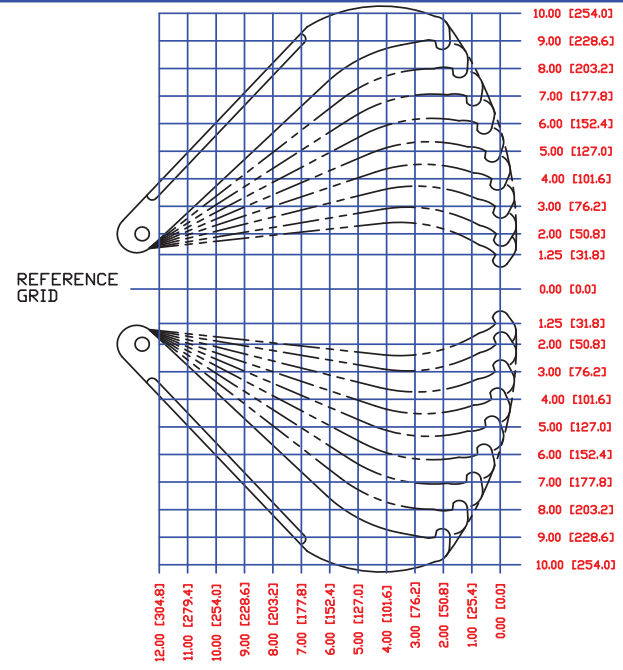
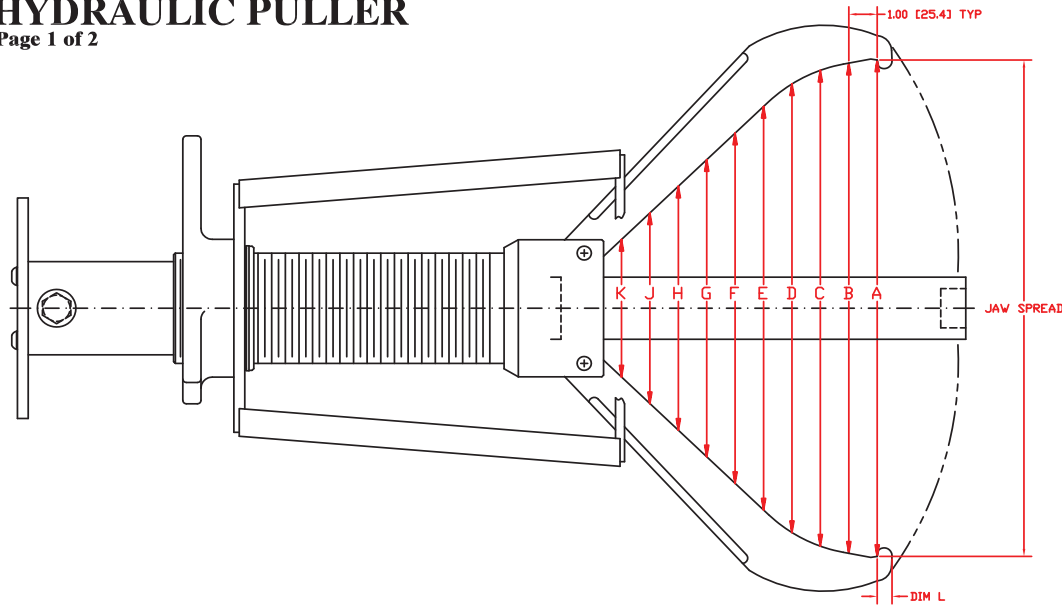


PHB-113/213 Standard Jaws

HYDRAULIC PULLER

Page 1 of 2



JAW SPREAD	DIM A	DIM B	DIM C	DIM D	DIM E	DIM F	DIM G	DIM H	DIM J	DIM K	DIM L
2.50 [63.5]	4.53 [115.1]	4.82 [122.4]	4.73 [120.1]	4.51 [114.6]	4.29 [109.0]	4.06 [103.1]	3.84 [97.5]	3.62 [91.9]	3.40 [86.4]	3.18 [80.8]	.617 [15.67]
4.00 [101.6]	5.76 [146.3]	5.94 [150.9]	5.74 [145.8]	5.40 [137.2]	5.05 [128.3]	4.71 [119.6]	4.36 [110.7]	4.02 [102.1]	3.67 [93.2]	3.33 [84.6]	.618 [15.70]
6.00 [152.4]	7.38 [187.5]	7.45 [189.2]	7.12 [180.8]	6.61 [167.9]	6.09 [154.7]	5.58 [141.7]	5.07 [128.8]	4.55 [115.6]	4.04 [102.6]	3.53 [89.7]	.615 [15.62]
8.00 [203.2]	9.02 [229.1]	8.98 [228.1]	8.56 [217.4]	7.87 [199.9]	7.18 [182.4]	6.49 [164.8]	5.80 [147.3]	5.11 [129.8]	4.42 [112.3]	3.73 [94.7]	.609 [15.47]
10.00 [254.0]	10.68 [271.3]	10.57 [268.5]	10.07 [255.8]	9.21 [233.9]	8.33 [211.6]	7.46 [189.5]	6.58 [167.1]	5.70 [144.8]	4.82 [122.4]	3.94 [100.1]	.598 [15.19]
12.00 [304.8]	12.38 [314.5]	12.23 [310.6]	11.67 [296.4]	10.68 [271.2]	9.59 [243.6]	8.51 [216.2]	7.42 [188.5]	6.34 [161.0]	5.25 [133.4]	4.16 [105.7]	.583 [14.81]
14.00 [355.6]	14.14 [359.1]	13.97 [354.8]	13.40 [340.4]	12.33 [313.2]	11.01 [279.7]	9.69 [246.1]	8.37 [212.6]	7.04 [178.8]	5.72 [145.3]	4.40 [111.8]	.564 [14.33]
16.00 [406.4]	15.97 [405.6]	15.82 [401.8]	15.25 [387.4]	14.20 [360.7]	12.65 [321.3]	11.05 [280.7]	9.46 [240.3]	7.86 [199.6]	6.27 [159.3]	4.67 [118.6]	.539 [13.69]
18.00 [457.2]	18.00 [457.2]	17.77 [451.4]	17.26 [438.4]	16.27 [413.3]	14.63 [371.6]	12.70 [322.6]	10.77 [273.6]	8.85 [224.8]	6.92 [175.8]	4.99 [126.7]	.508 [12.90]

POSI LOCK MODELS PHB113\PHB213 GEAR AND BEARING PULLER

MODEL PHB113
25 TON [22.8 METRIC TONS]
3 JAW - STANDARD
RAM STROKE 14.25 [362.0]
REACH 12.0 [304.8]
SPREAD 2.5 [63.5] TO 18.0 [457.2]
WT. 116 Lbs.[52.7 kg]
RATED FOR 10000 PSI

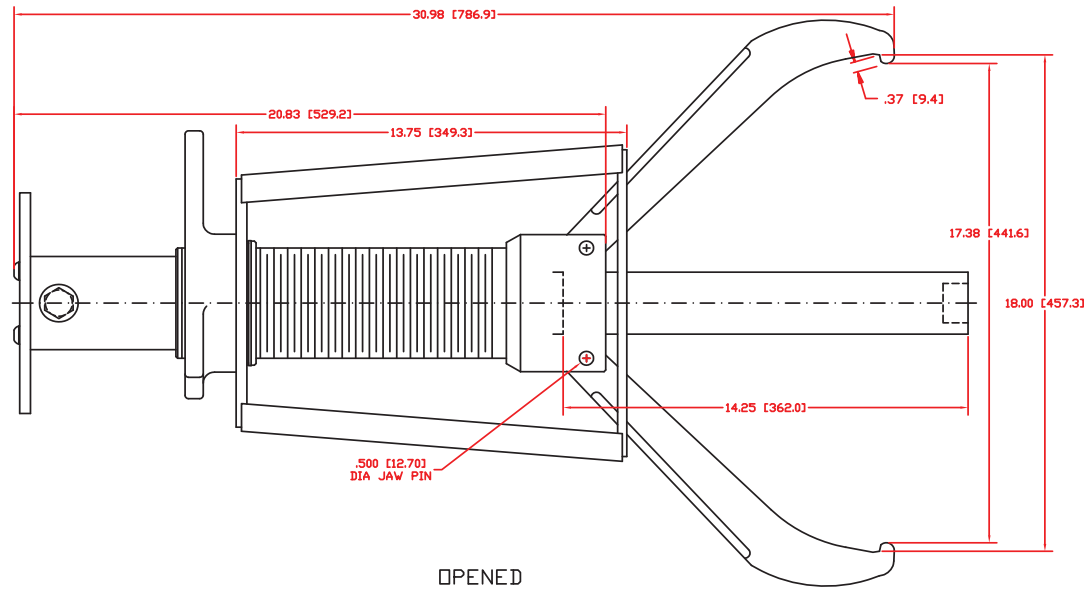
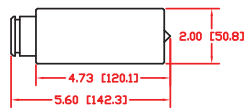
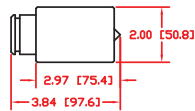
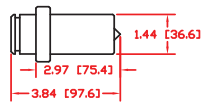
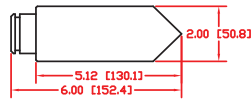
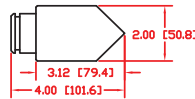
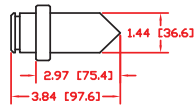
MODEL PHB213
25 TON [22.8 METRIC TONS]
2 JAW - STANDARD
RAM STROKE 14.25 [362.0]
REACH 12.0 [304.8]
SPREAD 2.5 [63.5] TO 18.0 [457.2]
WT. 98 Lbs.[44.5 kg]
RATED FOR 10000 PSI

ITEM NO.	QTY.	PART NO.	DESCRIPTION	NOTES
<ul style="list-style-type: none"> ✓ FLATNESS ✓ STRAIGHTNESS ✓ ANGULARITY ✓ PERPENDICULARITY ✓ PARALLELISM ✓ CIRCULARITY ✓ PROFILE OF SURF. ✓ ROUNDED CORNERS ✓ CONCENTRICITY ✓ SYMMETRY ✓ TRUE POSITION ✓ SURFACE FINISH 				
MATERIAL:		SCALE:	DRAWN:	AE/TSS
CHECKED:		DATE: 07MAY91		
DIMENSIONS ARE IN INCHES UNLESS OTHERWISE NOTED.				
IN 1/2 INCH IN MULTIPLE UNLESS OTHERWISE NOTED.				
ALL DIMENSIONS ARE TO UNLESS OTHERWISE NOTED.				
© POSI LOCK PULLER, INC.				
POSI LOCK PULLER, INC. Box 246, Cooperstown, NY 12825				
MODEL:		PART NO.:		REV.:
PHB113/PHB213		D01933		
SHEET:		1 OF 2		

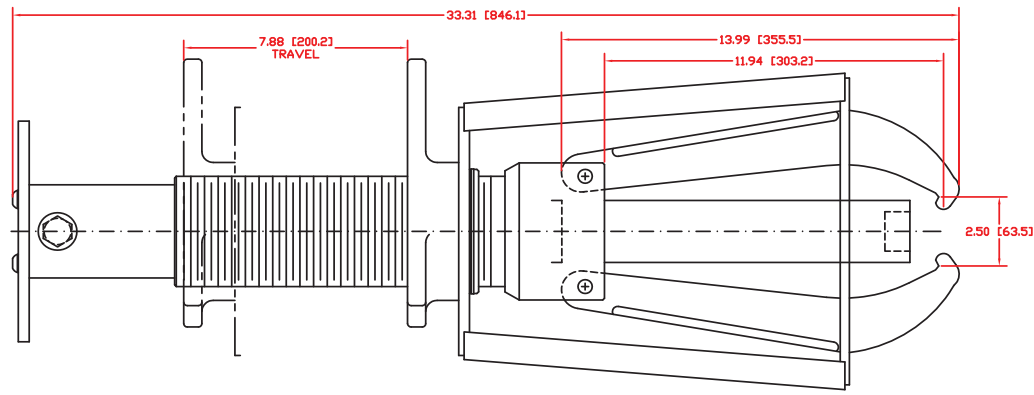
PHB-113/213 Standard Jaws HYDRAULIC PULLER

Page 2 of 2

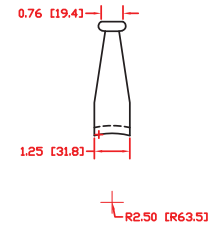
RAM POINT SET



OPENED



CLOSED



VIEW A-A
JAW ONLY

ITEM NO.	QTY.	PART NO.	DESCRIPTION	NOTES
<ul style="list-style-type: none"> ✓ FLATNESS ✓ STRAIGHTNESS ✓ ANGULARITY ✓ PERPENDICULARITY ✓ PARALLELISM ✓ ROUNDNESS ✓ CIRCULARITY ✓ PROFILE OF SURF. ✓ PROFILE OF LINE ✓ HOLE ✓ CONCENTRICITY ✓ SQUARENESS ✓ TRUE POSITION ✓ CHAMFER ✓ POSITION ✓ HOLE POSITION ✓ HOLE SIZE 				
MATERIAL:		SCALE:	DRAWN:	AE/TSS
CHECKED:		D7MAY91		
<p>DIMENSIONS ARE IN INCHES UNLESS OTHERWISE NOTED. IN 1/4 INCH IN MULTIPLE UNLESS OTHERWISE NOTED. ALL DIMENSIONS UNLESS OTHERWISE NOTED. UNLESS OTHERWISE SPECIFIED, ALL DIMENSIONS ARE TO BE HONED TO THE CLOSEST TOLERANCE.</p>				
<p>CONFIDENTIAL - PROPERTY OF POST-LOCK PULLER, INC. Box 846, Cooperstown, NY 12523</p>				
PART NAME:		MODEL:	PART NO.:	REV.:
PHB113/PHB213		001933	001933	
SHEET 2 OF 2		D		

PHB-113/213 Long Jaws HYDRAULIC PULLER

Page 1 of 3

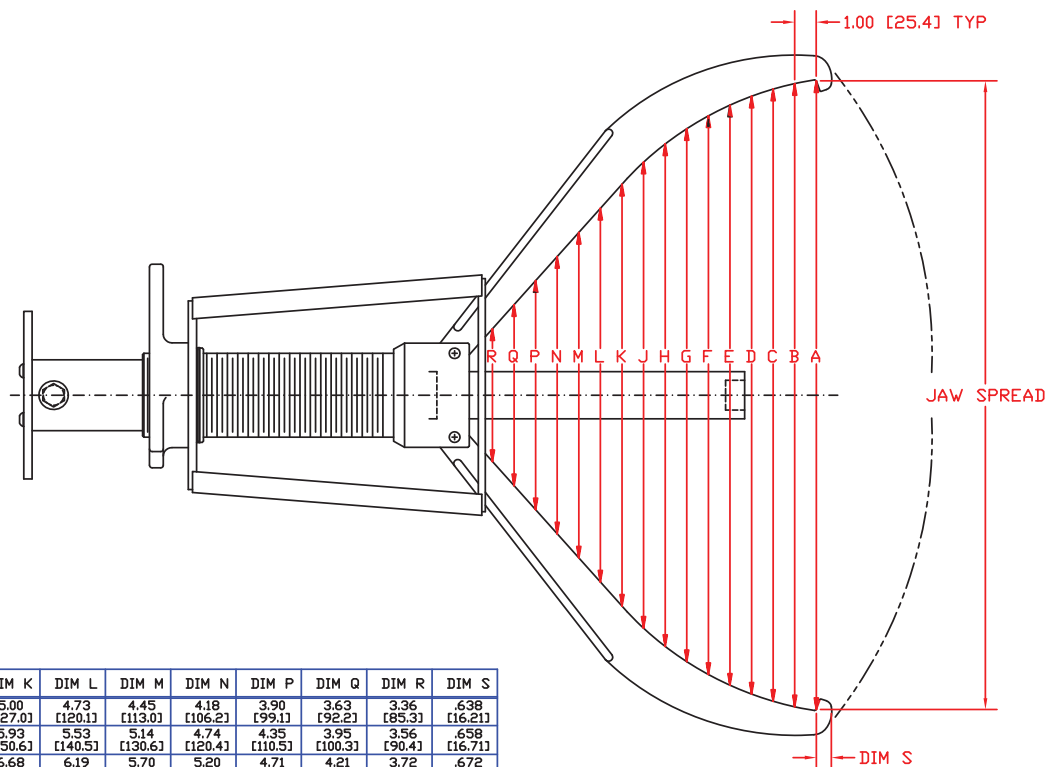
POSI LOCK MODELS
PHB113/PHB213 LONG JAWS
GEAR AND BEARING PULLER

MODEL PHB113

25 TON [22.8 METRIC TONS]
3 LONG JAWS
RAM STROKE 14.25 [362.0]
REACH 20.0 [508.0]
SPREAD 1.5 [38.1] TO 30.0 [762.0]
WT. 134 Lbs.[60.8 kg]
RATED FOR 10000 PSI

MODEL PHB213

25 TON [22.8 METRIC TONS]
2 LONG JAWS
RAM STROKE 14.25 [362.0]
REACH 20.0 [508.0]
SPREAD 1.5 [38.1] TO 30.0 [762.0]
WT. 110 Lbs.[49.9 kg]
RATED FOR 10000 PSI



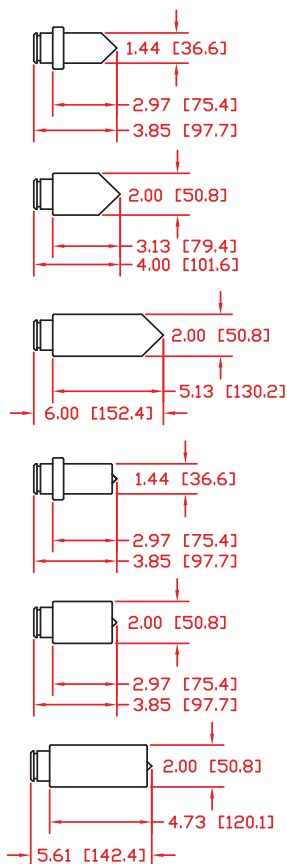
JAW SPREAD	DIM A	DIM B	DIM C	DIM D	DIM E	DIM F	DIM G	DIM H	DIM J	DIM K	DIM L	DIM M	DIM N	DIM P	DIM Q	DIM R	DIM S
1.50 [38.1]	5.36 [136.1]	5.78 [146.8]	6.06 [153.9]	6.20 [157.5]	6.21 [157.7]	6.08 [154.4]	5.92 [147.8]	5.55 [141.0]	5.27 [133.9]	5.00 [127.0]	4.72 [120.1]	4.45 [113.0]	4.18 [106.2]	3.90 [99.1]	3.63 [92.2]	3.36 [85.3]	6.98 [16.21]
4.00 [101.6]	7.31 [185.7]	7.62 [193.5]	7.79 [197.9]	7.82 [198.6]	7.72 [196.1]	7.49 [190.2]	7.11 [180.6]	6.72 [170.7]	6.32 [160.5]	5.93 [150.5]	5.54 [140.5]	5.14 [130.6]	4.74 [120.4]	4.35 [110.5]	3.95 [100.3]	3.56 [90.4]	6.58 [16.71]
6.00 [152.4]	8.86 [225.0]	9.08 [230.6]	9.17 [232.9]	9.13 [231.9]	8.94 [227.1]	8.63 [219.2]	8.17 [207.5]	7.67 [194.8]	7.18 [182.4]	6.68 [169.7]	6.19 [157.2]	5.70 [144.8]	5.20 [132.1]	4.71 [119.6]	4.21 [106.9]	3.72 [94.5]	6.72 [17.07]
8.00 [203.2]	10.41 [264.4]	10.56 [268.2]	10.57 [268.5]	10.45 [265.4]	10.19 [258.8]	9.79 [248.7]	9.24 [234.7]	8.65 [221.9]	8.05 [205.5]	7.46 [189.5]	6.86 [174.2]	6.27 [159.3]	5.67 [144.0]	5.07 [128.8]	4.48 [113.8]	3.88 [98.6]	6.85 [17.40]
10.0 [254.0]	11.98 [304.3]	12.05 [306.1]	11.99 [304.5]	11.79 [299.5]	11.46 [291.1]	10.99 [279.1]	10.35 [262.9]	9.65 [245.1]	8.95 [227.3]	8.25 [209.6]	7.55 [191.8]	6.85 [174.0]	6.15 [156.2]	5.45 [138.4]	4.75 [120.7]	4.05 [102.9]	6.96 [17.68]
12.0 [304.8]	13.56 [344.4]	13.56 [344.4]	13.43 [341.1]	13.17 [334.5]	12.76 [324.1]	12.22 [309.4]	11.51 [292.4]	10.70 [271.8]	9.99 [251.2]	9.08 [230.6]	8.27 [210.1]	7.46 [189.5]	6.65 [168.9]	5.84 [148.3]	5.03 [127.8]	4.22 [107.2]	7.06 [17.93]
14.0 [355.6]	15.16 [385.1]	15.10 [383.5]	14.91 [378.7]	14.58 [370.3]	14.11 [358.4]	13.49 [342.6]	12.71 [322.8]	11.79 [309.5]	10.87 [289.5]	9.94 [271.1]	9.02 [229.1]	8.09 [205.5]	7.17 [182.1]	6.24 [158.5]	5.32 [135.1]	4.40 [111.8]	7.14 [18.14]
16.0 [406.4]	16.81 [427.0]	16.69 [423.9]	16.44 [417.6]	16.05 [407.7]	15.51 [394.0]	14.82 [376.4]	13.97 [354.8]	12.95 [328.9]	11.90 [302.3]	10.85 [275.6]	9.81 [249.2]	8.76 [222.5]	7.72 [196.1]	6.67 [169.4]	5.62 [142.7]	4.58 [116.3]	7.20 [18.29]
18.0 [457.2]	18.49 [469.6]	18.32 [465.3]	18.01 [457.5]	17.56 [446.0]	16.97 [431.0]	16.22 [412.0]	15.29 [388.4]	14.17 [359.9]	13.00 [330.2]	11.82 [300.2]	10.65 [270.5]	9.47 [240.5]	8.30 [210.8]	7.12 [180.8]	5.95 [151.1]	4.77 [121.2]	7.25 [18.42]
20.0 [508.0]	20.23 [513.8]	20.01 [508.3]	19.65 [499.1]	19.15 [486.4]	18.50 [469.9]	17.68 [449.1]	16.69 [423.9]	15.50 [393.7]	14.18 [362.9]	12.87 [326.9]	11.55 [293.4]	10.24 [260.1]	8.92 [226.6]	7.61 [193.3]	6.29 [159.8]	4.97 [126.2]	7.28 [18.49]
22.0 [558.8]	22.04 [559.8]	21.77 [553.0]	21.36 [542.5]	20.81 [528.6]	20.11 [510.8]	19.24 [488.7]	18.19 [462.0]	16.93 [430.0]	15.47 [392.9]	14.00 [355.6]	12.54 [318.5]	11.07 [281.2]	9.60 [243.8]	8.13 [206.5]	6.66 [169.2]	5.19 [131.8]	7.30 [18.54]
24.0 [609.6]	23.91 [607.3]	23.61 [599.7]	23.16 [588.3]	22.57 [573.3]	21.82 [554.2]	20.90 [530.9]	19.79 [502.7]	18.47 [471.9]	16.89 [442.0]	15.26 [387.6]	13.62 [345.9]	11.98 [304.3]	10.34 [262.6]	8.71 [221.2]	7.07 [179.6]	5.43 [137.9]	7.29 [18.52]
25.8 [658.4]	25.88 [657.4]	25.54 [648.7]	25.06 [636.5]	24.43 [620.5]	23.64 [600.5]	22.67 [575.8]	21.52 [546.6]	20.14 [516.6]	18.49 [478.7]	16.66 [438.6]	14.83 [397.6]	13.01 [330.5]	11.18 [284.0]	9.35 [237.5]	7.52 [191.0]	5.70 [144.8]	7.26 [18.44]
27.9 [711.2]	27.94 [709.7]	27.57 [700.3]	27.06 [687.3]	26.40 [670.6]	25.58 [649.7]	24.59 [624.6]	23.39 [594.1]	21.96 [557.8]	20.27 [514.9]	18.26 [463.8]	16.22 [412.0]	14.17 [359.9]	12.13 [308.1]	10.08 [256.0]	8.04 [204.2]	5.99 [152.1]	7.21 [18.31]
30.0 [762.0]	29.74 [762.0]	29.74 [755.4]	29.21 [741.9]	28.53 [724.7]	27.68 [703.1]	26.66 [677.2]	25.43 [645.9]	23.98 [609.1]	22.24 [564.9]	20.13 [511.3]	17.83 [452.9]	15.53 [394.5]	13.23 [336.0]	10.93 [277.6]	8.63 [219.2]	6.34 [161.0]	7.13 [18.11]

ITEM NO.	QTY.	PART NO.	DESCRIPTION	NOTES
<input type="checkbox"/> FLANGES <input type="checkbox"/> ROPE/SHACKLES <input type="checkbox"/> ADJUSTABLE ANCHORS <input type="checkbox"/> HOOKS/SHACKLES <input type="checkbox"/> RINGS/SHACKLES <input type="checkbox"/> COUPLERS <input type="checkbox"/> PROFILES OF STEEL <input type="checkbox"/> RINGS <input type="checkbox"/> CONCENTRICITY <input type="checkbox"/> CENTERLINE <input type="checkbox"/> TYPICAL POSITION <input type="checkbox"/> FILLETS/CHAMFERS				
MATERIAL:		DRAWN AE/TSS		NOTES
SCALE:		CHECKED:		9MAY91
DIMENSIONS ARE IN INCHES UNLESS OTHERWISE NOTED. IN 1/4 INCH IN MULTIPLE UNLESS OTHERWISE NOTED. ALL DIMENSIONS UNLESS OTHERWISE NOTED. ALL DIMENSIONS UNLESS OTHERWISE NOTED.				
POSI LOCK PULLER, INC. Box 256, Cooperstown, NY 13326				
PART NAME:		PART NO.		REV.
MODEL PHB113/PHB213		001934		
LONG JAWS		SHEET 1 OF 3		D

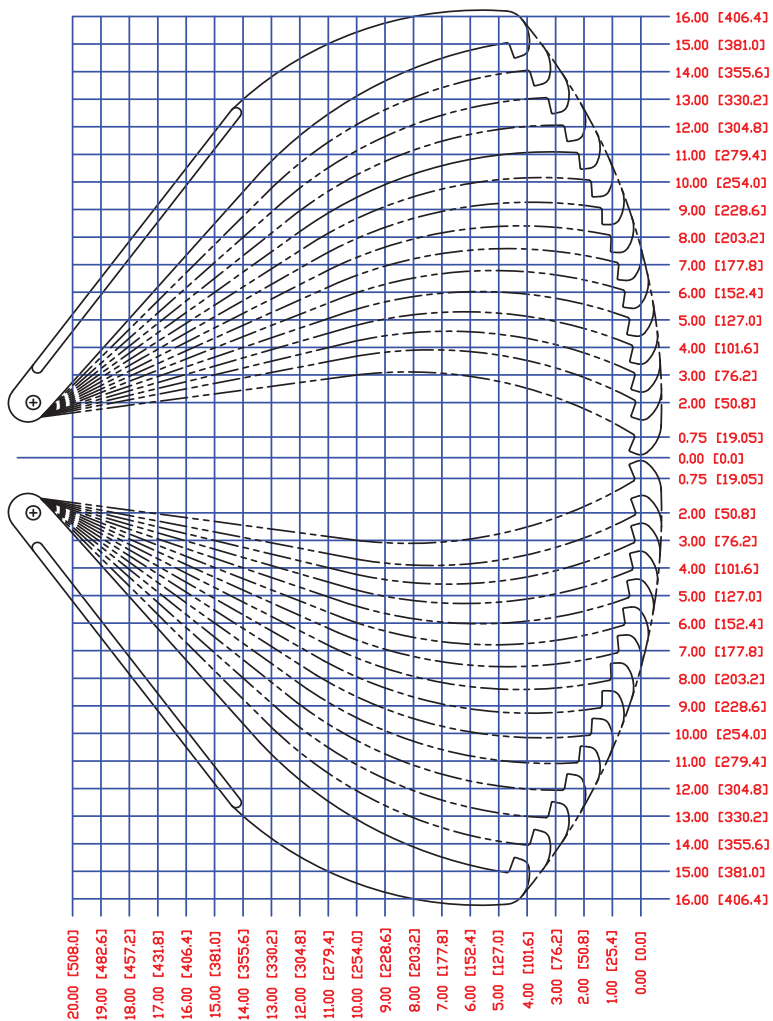
PHB-113/213 Long Jaws HYDRAULIC PULLER

Page 2 of 3

RAM POINT SET



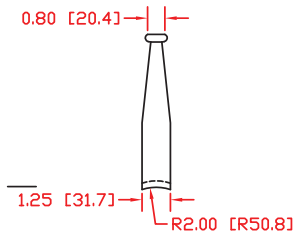
REFERENCE
GRID



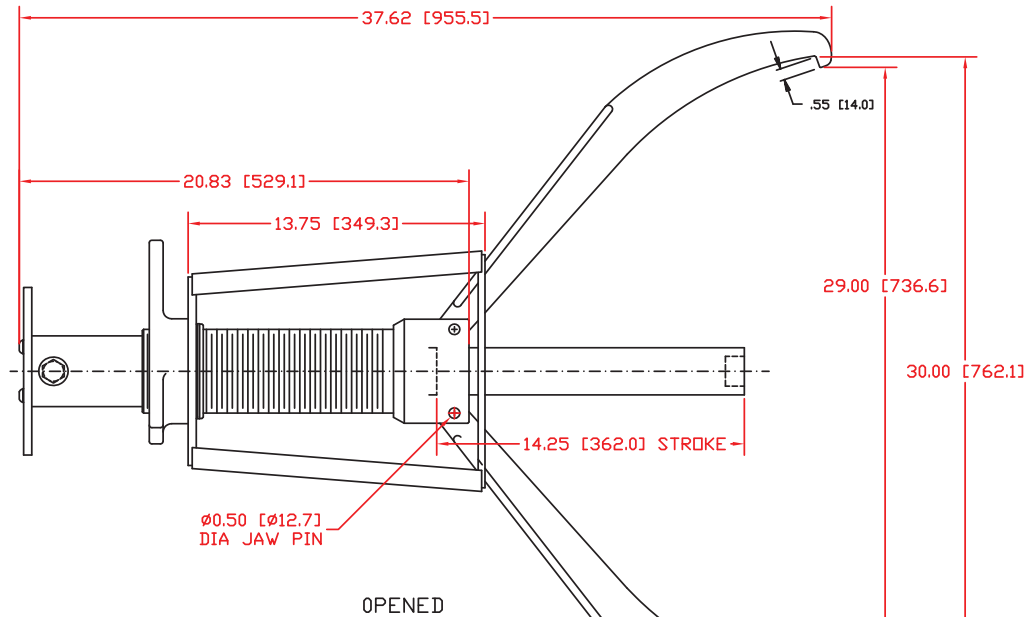
ITEM NO.	QTY.	PART NO.	DESCRIPTION	NOTES
<ul style="list-style-type: none"> ✓ FLATNESS ✓ STRAIGHTNESS ✓ ANGULARITY ✓ PERPENDICULARITY ✓ PARALLELISM ✓ ROUNDNESS ✓ CIRCULARITY ○ PROFILE OF SURF. ○ SLOPE ○ CONCENTRICITY ○ SYMMETRY ○ TRUE POSITION ○ FREE-FORM ○ FEATURE SIZE 				
MATERIAL:		SCALE:	DRAWN:	AE/TSSB
CHECKED:		9MAY91		
DIMENSIONS ARE IN INCHES UNLESS OTHERWISE NOTED.				
IN 1/4 INCH IN MULTIPLES UNLESS OTHERWISE NOTED.				
ALL DIMENSIONS UNLESS OTHERWISE NOTED.				
DRAWN TO SCALE UNLESS OTHERWISE NOTED.				
© POSI-LDCK PULLER, INC.				
CONFIDENTIAL - PROPERTY OF				
POSI-LDCK PULLER, INC.				
POB. 846, COOPERSTOWN, NY 12625				
PART NAME:		PART NO.:		REV.:
MODEL: PHB113/PHB213		001934		
LONG JAWS		SHEET 2 OF 3		D

PHB-113/213 Long Jaws HYDRAULIC PULLER

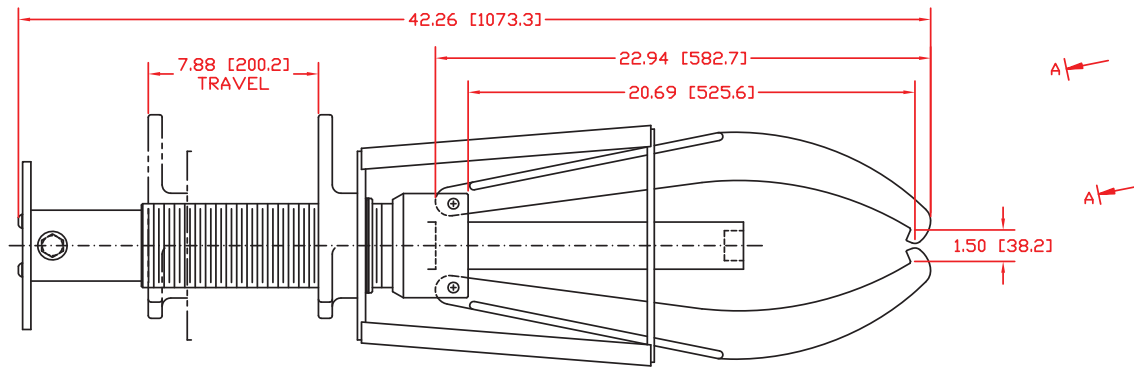
Page 3 of 3



VIEW A-A
JAW ONLY



OPENED



CLOSED

Ø0.50 [Ø12.7]
DIA JAW PIN

ITEM NO.	QTY.	PART NO.	DESCRIPTION	NOTES
<ul style="list-style-type: none"> ✓ FLATNESS ✓ STRAIGHTNESS ✓ ANGULARITY ✓ PERPENDICULARITY ✓ PARALLELISM ✓ ROUNDNESS ✓ CIRCULARITY ✓ PROFILE OF SURF. ✓ SLOPE OF LINE ✓ HOLE ✓ CONCENTRICITY ✓ SQUARE ✓ TRUE POSITION ✓ POSITION ✓ CHAMFER ✓ FREE SURF. 				
MATERIAL:		DRAWN:	AE/TSSB	9MAY91
SCALE:		CHECKED:		
DIMENSIONS ARE IN INCHES, DIMENSIONS AND UNITS IN I. ARE IN MILLIMETERS UNLESS OTHERWISE NOTED. ALL DIMENSIONS UNLESS OTHERWISE SPECIFIED SHALL BE TO NEAREST FRACTION OF AN INCH UNLESS OTHERWISE SPECIFIED				
POSITIVE LOCK PULLER, INC. Box 846, Cooperstown, NY 12523				
PART NAME:		PART NO.		REV.
MODEL: PHB113/PHB213		001934		
LONG JAWS		SHEET 3 OF 3		D