

POSI LOCK MODELS PH113\PH213 GEAR AND BEARING PULLER

JAW SPREAD	DIM A	DIM B	DIM C	DIM D	DIM E	DIM F	DIM G	DIM H	DIM J	DIM K	DIM L
2.50 [63.5]	4.53 [115.1]	4.82 [122.4]	4.73 [120.1]	4.51 [114.6]	4.29 [109.0]	4.06 [103.1]	3.84 [97.5]	3.62 [91.9]	3.40 [86.4]	3.18 [80.8]	.617 [15.67]
4.00 [101.6]	5.76 [146.3]	5.94 [150.9]	5.74 [145.8]	5.40 [137.2]	5.05 [128.3]	4.71 [119.6]	4.36 [110.7]	4.02 [102.1]	3.67 [93.2]	3.33 [84.6]	.618 [15.70]
6.00 [152.4]	7.38 [187.5]	7.45 [189.2]	7.12 [180.8]	6.61 [167.9]	6.09 [154.7]	5.58 [141.7]	5.07 [128.8]	4.55 [115.6]	4.04 [102.6]	3.53 [89.7]	.615 [15.62]
8.00 [203.2]	9.02 [229.1]	8.98 [228.1]	8.56 [217.4]	7.87 [199.9]	7.18 [182.4]	6.49 [164.8]	5.80 [147.3]	5.11 [129.8]	4.42 [112.3]	3.73 [94.7]	.609 [15.47]
10.00 [254.0]	10.68 [271.3]	10.57 [268.5]	10.07 [255.8]	9.21 [233.9]	8.33 [211.6]	7.46 [189.5]	6.58 [167.1]	5.70 [144.8]	4.82 [122.4]	3.94 [100.1]	.598 [15.19]
12.00 [304.8]	12.38 [314.5]	12.23 [310.6]	11.67 [296.4]	10.68 [271.2]	9.59 [243.6]	8.51 [216.2]	7.42 [188.5]	6.34 [161.0]	5.25 [133.4]	4.16 [105.7]	.583 [14.81]
14.00 [355.6]	14.14 [359.1]	13.97 [354.8]	13.40 [340.4]	12.33 [313.2]	11.01 [279.7]	9.69 [246.1]	8.37 [212.6]	7.04 [178.8]	5.72 [145.3]	4.40 [111.8]	.564 [14.33]
16.00 [406.4]	15.97 [405.6]	15.82 [401.8]	15.25 [387.4]	14.20 [360.7]	12.65 [321.3]	11.05 [280.7]	9.46 [240.3]	7.86 [199.6]	6.27 [159.3]	4.67 [118.6]	.539 [13.69]
18.00 [457.2]	18.00 [457.2]	17.77 [451.4]	17.26 [438.4]	16.27 [413.3]	14.63 [371.6]	12.70 [322.6]	10.77 [273.6]	8.85 [224.8]	6.92 [175.8]	4.99 [126.7]	.508 [12.90]

MODEL PH113

25 TON [22.8 METRIC TONS]
3 JAW
RAM STROKE 14.25 [362.0]
REACH 12.0 [304.8]
SPREAD 2.5 [63.5] TO 18.0 [457.2]
WT. 110 Lbs.[49.9 kg]
RATED FOR 10000 PSI

MODEL PH213

25 TON [22.8 METRIC TONS]
2 JAW
RAM STROKE 14.25 [362.0]
REACH 12.0 [304.8]
SPREAD 2.5 [63.5] TO 18.0 [457.2]
WT. 98 Lbs.[44 kg]
RATED FOR 10000 PSI

ITEM NO.	QTY.	PART NO.	DESCRIPTION	NOTES
1			FLATNESS	
2			SYMMETRICITY	
3			ANGULARITY	
4			PERPENDICULARITY	
5			PARALLELISM	
6			ROUNDNESS	
7			CIRCULARITY	
8			PROFILE OF SURF.	
9			FREE-FORM SURF.	
10			FREE-FORM SURF.	
11			FREE-FORM SURF.	
12			FREE-FORM SURF.	
13			FREE-FORM SURF.	
14			FREE-FORM SURF.	
15			FREE-FORM SURF.	
16			FREE-FORM SURF.	
17			FREE-FORM SURF.	
18			FREE-FORM SURF.	
19			FREE-FORM SURF.	
20			FREE-FORM SURF.	
21			FREE-FORM SURF.	
22			FREE-FORM SURF.	
23			FREE-FORM SURF.	
24			FREE-FORM SURF.	
25			FREE-FORM SURF.	
26			FREE-FORM SURF.	
27			FREE-FORM SURF.	
28			FREE-FORM SURF.	
29			FREE-FORM SURF.	
30			FREE-FORM SURF.	
31			FREE-FORM SURF.	
32			FREE-FORM SURF.	
33			FREE-FORM SURF.	
34			FREE-FORM SURF.	
35			FREE-FORM SURF.	
36			FREE-FORM SURF.	
37			FREE-FORM SURF.	
38			FREE-FORM SURF.	
39			FREE-FORM SURF.	
40			FREE-FORM SURF.	
41			FREE-FORM SURF.	
42			FREE-FORM SURF.	
43			FREE-FORM SURF.	
44			FREE-FORM SURF.	
45			FREE-FORM SURF.	
46			FREE-FORM SURF.	
47			FREE-FORM SURF.	
48			FREE-FORM SURF.	
49			FREE-FORM SURF.	
50			FREE-FORM SURF.	
51			FREE-FORM SURF.	
52			FREE-FORM SURF.	
53			FREE-FORM SURF.	
54			FREE-FORM SURF.	
55			FREE-FORM SURF.	
56			FREE-FORM SURF.	
57			FREE-FORM SURF.	
58			FREE-FORM SURF.	
59			FREE-FORM SURF.	
60			FREE-FORM SURF.	
61			FREE-FORM SURF.	
62			FREE-FORM SURF.	
63			FREE-FORM SURF.	
64			FREE-FORM SURF.	
65			FREE-FORM SURF.	
66			FREE-FORM SURF.	
67			FREE-FORM SURF.	
68			FREE-FORM SURF.	
69			FREE-FORM SURF.	
70			FREE-FORM SURF.	
71			FREE-FORM SURF.	
72			FREE-FORM SURF.	
73			FREE-FORM SURF.	
74			FREE-FORM SURF.	
75			FREE-FORM SURF.	
76			FREE-FORM SURF.	
77			FREE-FORM SURF.	
78			FREE-FORM SURF.	
79			FREE-FORM SURF.	
80			FREE-FORM SURF.	
81			FREE-FORM SURF.	
82			FREE-FORM SURF.	
83			FREE-FORM SURF.	
84			FREE-FORM SURF.	
85			FREE-FORM SURF.	
86			FREE-FORM SURF.	
87			FREE-FORM SURF.	
88			FREE-FORM SURF.	
89			FREE-FORM SURF.	
90			FREE-FORM SURF.	
91			FREE-FORM SURF.	
92			FREE-FORM SURF.	
93			FREE-FORM SURF.	
94			FREE-FORM SURF.	
95			FREE-FORM SURF.	
96			FREE-FORM SURF.	
97			FREE-FORM SURF.	
98			FREE-FORM SURF.	
99			FREE-FORM SURF.	
100			FREE-FORM SURF.	

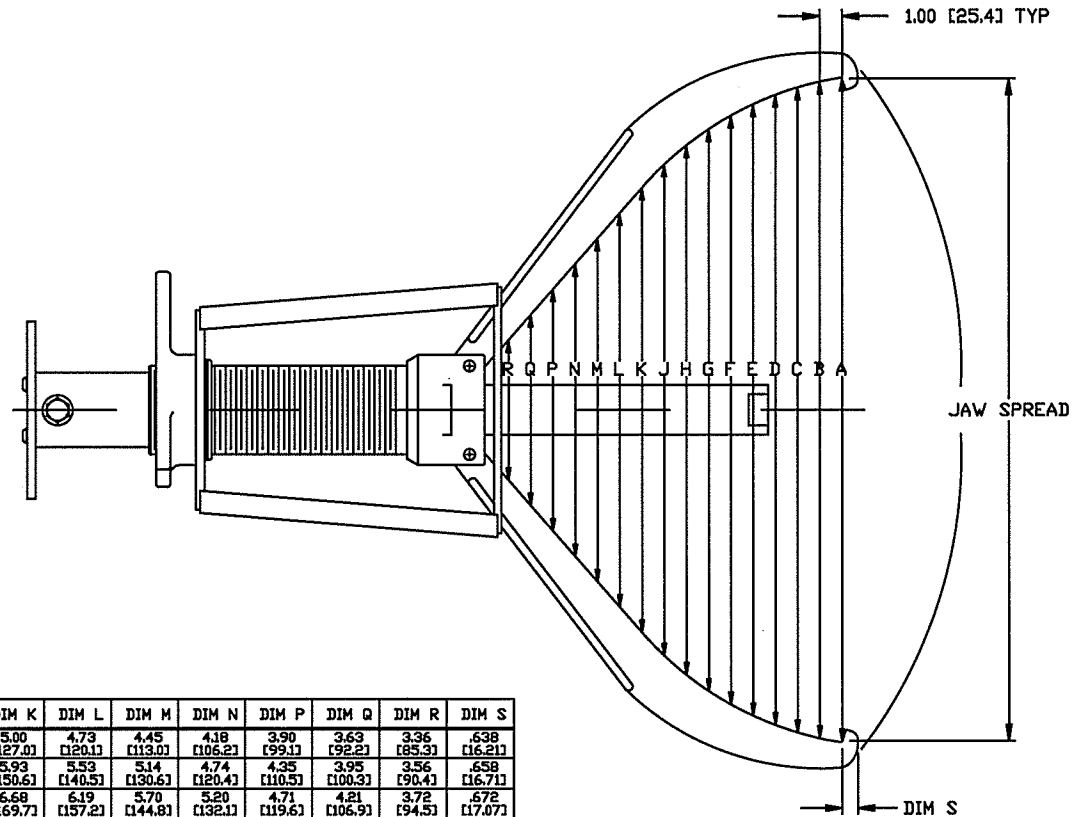
POSI LOCK MODELS PH113/PH213 LONG JAWS GEAR AND BEARING PULLER

MODEL PH113

25 TON [22.8 METRIC TONS]
3 JAW
RAM STROKE 14.25 [362.0]
REACH 20.0 [508.0]
SPREAD 1.5 [38.1] TO 30.0 [762.0]
WT. 124 Lbs.[56.2 kg]
RATED FOR 10000 PSI

MODEL PH213

25 TON [22.8 METRIC TONS]
2 JAW
RAM STROKE 14.25 [362.0]
REACH 20.0 [508.0]
SPREAD 1.5 [38.1] TO 30.0 [762.0]
WT. 110 Lbs.[49.9 kg]
RATED FOR 10000 PSI

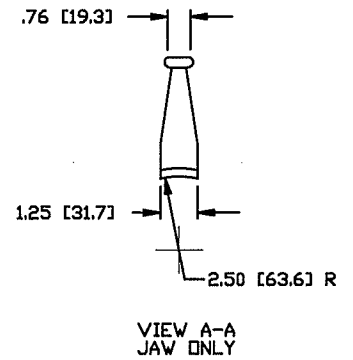
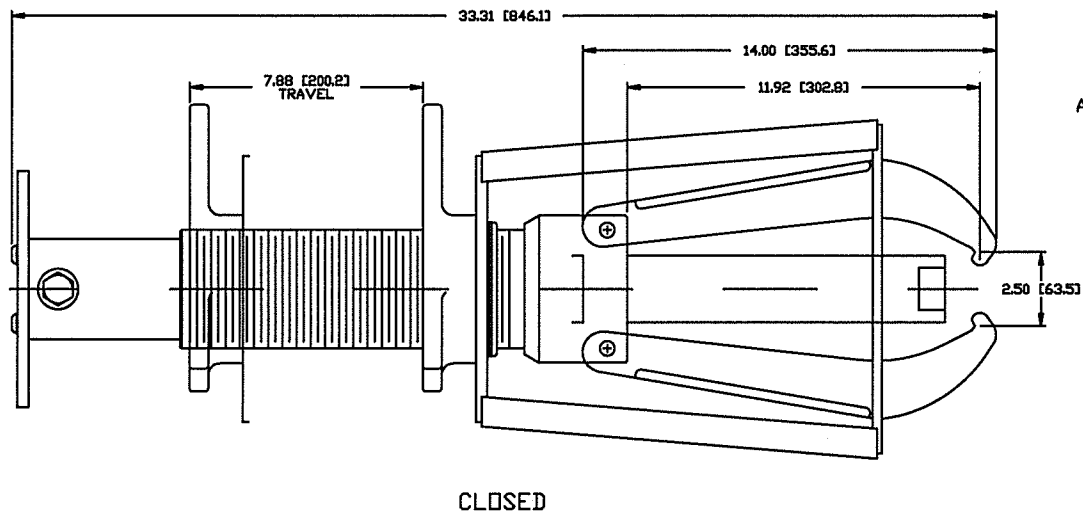
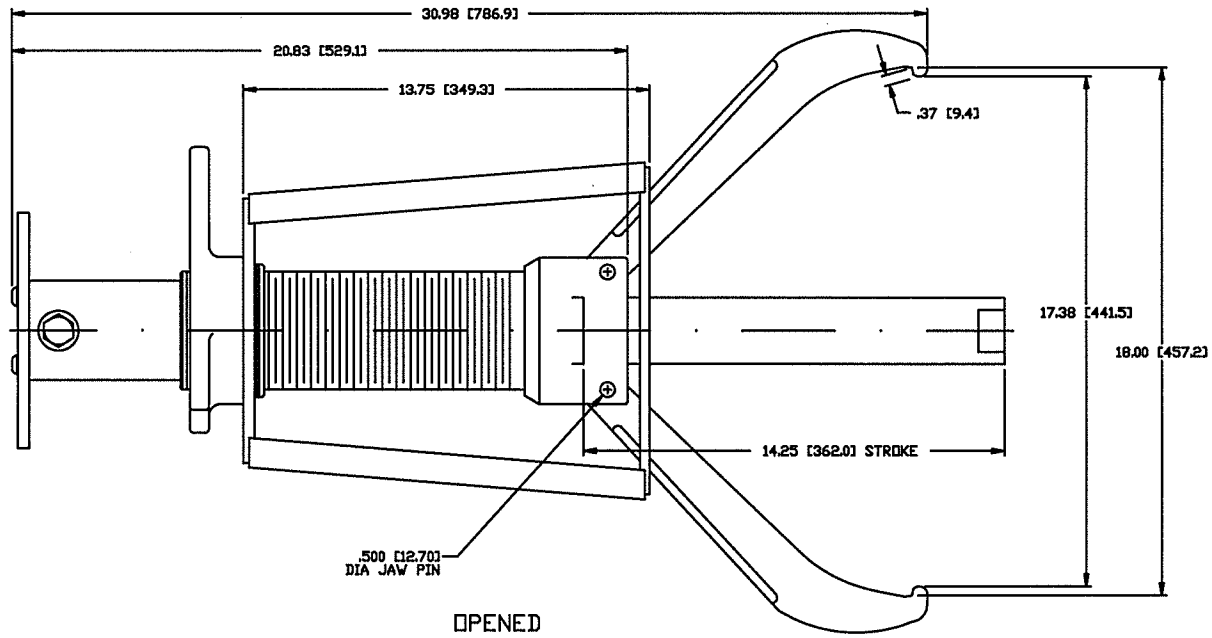
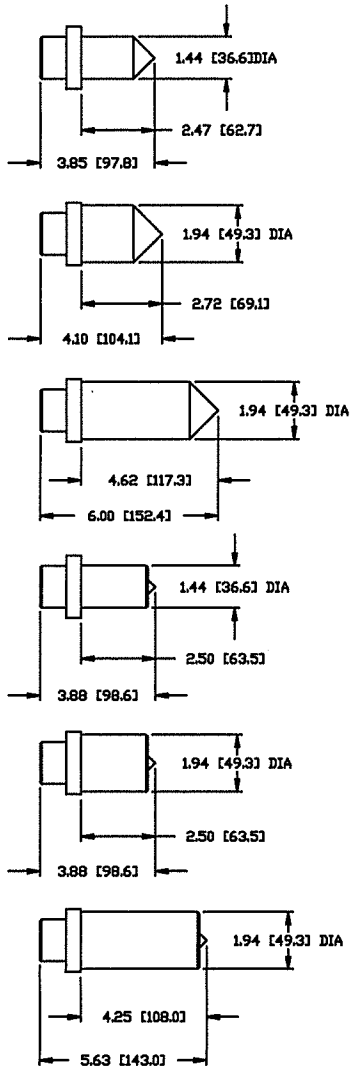


JAW SPREAD	DIM A	DIM B	DIM C	DIM D	DIM E	DIM F	DIM G	DIM H	DIM J	DIM K	DIM L	DIM M	DIM N	DIM P	DIM Q	DIM R	DIM S
1.50 [38.1]	5.32 [136.1]	5.76 [146.8]	6.06 [153.9]	6.20 [157.5]	6.21 [157.7]	6.08 [154.4]	5.82 [147.8]	5.55 [141.0]	5.27 [133.9]	5.00 [127.0]	4.73 [120.1]	4.45 [113.0]	4.18 [106.2]	3.90 [99.1]	3.63 [92.2]	3.36 [85.3]	3.08 [78.4]
4.00 [101.6]	7.31 [185.7]	7.62 [193.5]	7.79 [197.9]	7.82 [198.6]	7.72 [196.1]	7.49 [190.2]	7.11 [180.6]	6.78 [170.7]	6.32 [160.5]	5.93 [150.6]	5.53 [140.5]	5.14 [130.6]	4.74 [120.4]	4.35 [110.5]	3.95 [100.3]	3.56 [90.4]	3.17 [80.5]
6.00 [152.4]	8.86 [225.0]	9.08 [230.6]	9.17 [232.9]	9.13 [231.9]	8.94 [227.1]	8.63 [219.2]	8.17 [207.5]	7.67 [194.8]	7.18 [182.4]	6.68 [169.7]	6.19 [157.2]	5.70 [144.8]	5.20 [132.1]	4.71 [119.6]	4.21 [106.9]	3.72 [94.5]	3.23 [82.1]
8.00 [203.2]	10.41 [264.4]	10.56 [268.2]	10.57 [268.5]	10.45 [265.4]	10.19 [258.8]	9.79 [248.7]	9.24 [234.7]	8.65 [220.7]	8.05 [204.5]	7.46 [189.5]	6.86 [174.2]	6.27 [159.3]	5.67 [144.0]	5.07 [128.8]	4.48 [113.8]	3.88 [98.6]	3.29 [83.5]
10.0 [254.0]	11.98 [304.3]	12.05 [306.1]	11.99 [304.5]	11.79 [299.5]	11.46 [291.1]	10.99 [279.1]	10.35 [262.9]	9.65 [245.1]	8.95 [227.3]	8.25 [209.6]	7.55 [191.8]	6.85 [174.0]	6.15 [156.2]	5.45 [138.4]	4.75 [120.7]	4.05 [102.9]	3.35 [85.1]
12.0 [304.8]	13.56 [344.4]	13.56 [344.4]	13.43 [341.1]	13.17 [334.5]	12.76 [324.1]	12.22 [310.4]	11.51 [292.4]	10.70 [271.8]	9.89 [251.2]	9.08 [230.6]	8.27 [210.1]	7.46 [189.5]	6.65 [168.9]	5.84 [148.3]	5.03 [127.8]	4.22 [107.2]	3.41 [86.6]
14.0 [355.6]	15.16 [385.1]	15.10 [383.5]	14.91 [378.7]	14.58 [370.3]	14.11 [358.4]	13.49 [342.6]	12.71 [322.8]	11.79 [302.5]	10.87 [282.1]	9.94 [262.5]	9.02 [242.9]	8.09 [223.3]	7.17 [203.7]	6.24 [184.1]	5.32 [164.5]	4.40 [144.9]	3.49 [89.3]
16.0 [406.4]	16.81 [427.0]	16.69 [423.9]	16.44 [417.6]	16.05 [407.7]	15.51 [394.0]	14.82 [376.4]	13.97 [354.8]	12.95 [332.9]	11.90 [312.3]	10.85 [291.7]	9.81 [271.1]	8.76 [250.5]	7.72 [229.9]	6.67 [209.3]	5.62 [188.7]	4.58 [168.1]	3.53 [90.7]
18.0 [457.2]	18.49 [469.6]	18.32 [465.3]	18.01 [457.5]	17.56 [446.0]	16.97 [431.0]	16.22 [412.0]	15.29 [388.4]	14.17 [365.9]	13.00 [343.2]	11.82 [321.6]	10.65 [300.0]	9.47 [278.3]	8.30 [256.6]	7.12 [235.0]	5.95 [213.4]	4.77 [191.8]	3.59 [93.3]
20.0 [508.0]	20.23 [513.8]	20.01 [508.3]	19.65 [499.1]	19.15 [486.4]	18.50 [469.9]	17.68 [449.1]	16.69 [423.9]	15.50 [400.0]	14.18 [376.2]	12.87 [353.7]	11.55 [331.0]	10.24 [308.3]	8.92 [285.6]	7.61 [263.0]	6.29 [240.3]	4.97 [217.6]	3.70 [94.4]
22.0 [558.8]	22.04 [559.8]	21.77 [553.0]	21.36 [542.5]	20.81 [528.6]	20.11 [510.8]	19.24 [488.7]	18.19 [462.0]	16.93 [436.0]	15.47 [409.5]	14.00 [383.0]	12.54 [356.5]	11.07 [330.0]	9.60 [303.5]	8.13 [287.0]	6.66 [264.5]	5.19 [242.0]	3.72 [95.0]
24.0 [609.6]	23.91 [607.3]	23.61 [599.7]	23.16 [588.3]	22.57 [573.3]	21.82 [554.2]	20.90 [530.9]	19.79 [502.7]	18.47 [469.1]	16.89 [435.5]	15.26 [408.9]	13.62 [382.3]	11.98 [355.7]	10.34 [329.0]	8.71 [302.6]	7.07 [276.0]	5.43 [250.4]	3.94 [98.6]
25.88 [654.4]	25.88 [657.4]	25.54 [648.7]	25.06 [636.5]	24.43 [620.5]	23.64 [600.5]	22.67 [575.8]	21.52 [546.6]	20.14 [511.6]	18.49 [469.6]	16.66 [427.3]	14.83 [379.7]	13.01 [332.5]	11.18 [285.3]	9.35 [238.1]	7.52 [190.9]	5.70 [143.7]	4.00 [101.6]
27.94 [709.7]	27.94 [709.7]	27.57 [700.3]	27.06 [687.3]	26.43 [670.6]	25.58 [649.7]	24.59 [624.6]	23.39 [594.1]	21.96 [557.8]	20.27 [514.9]	18.26 [463.8]	16.22 [416.2]	14.17 [359.9]	12.13 [302.7]	10.08 [255.6]	8.04 [208.4]	5.99 [161.8]	4.21 [107.2]
30.0 [762.0]	30.00 [762.0]	29.74 [755.4]	29.21 [741.9]	28.53 [724.7]	27.68 [703.1]	26.66 [677.2]	25.43 [645.9]	23.98 [609.1]	22.24 [564.9]	20.13 [511.3]	17.83 [452.9]	15.53 [394.5]	13.23 [336.0]	10.93 [277.5]	8.63 [219.2]	6.34 [161.0]	4.53 [115.4]

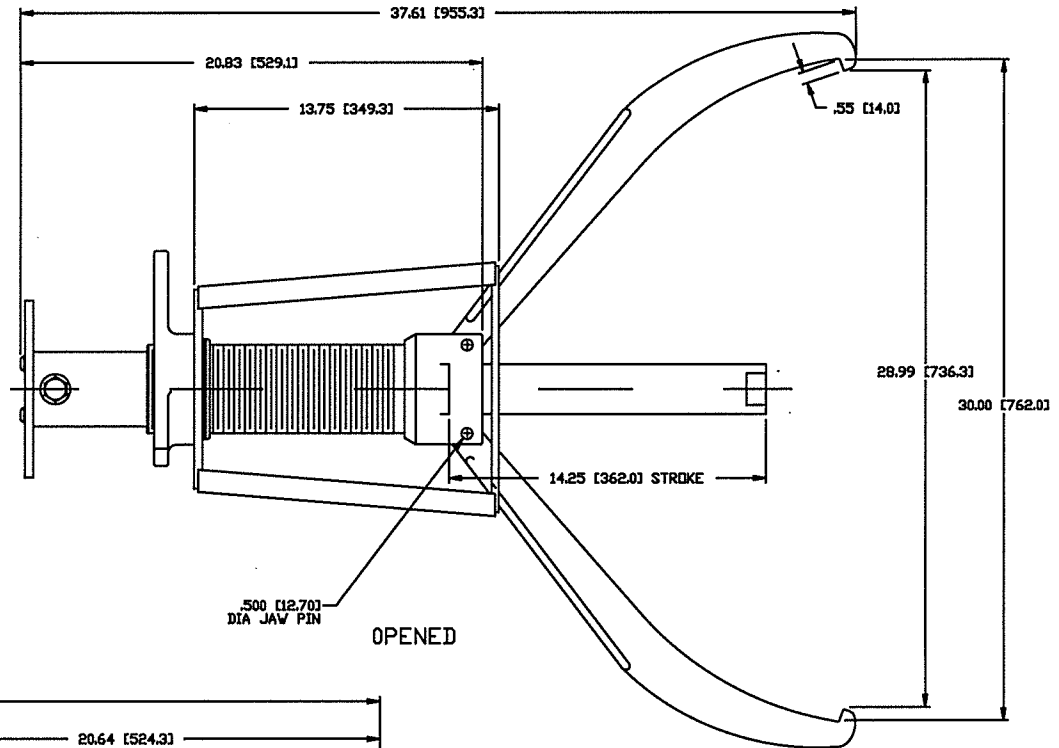
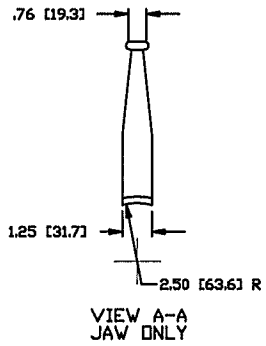
ITEM NO.	QTY.	PART NO.	DESCRIPTION	NOTES
1			FRAMING	
2			ASSEMBLY	
3			MANUAL	
4			PERFORMANCE	
5			CONSTRUCTION	
6			DETAILS OF PART	
7			DETAILS OF LINE	
8			CONSTRUCTION	
9			TRUCK	
10			TRUCK	
11			TRUCK	
12			TRUCK	
13			TRUCK	
14			TRUCK	
15			TRUCK	
16			TRUCK	
17			TRUCK	
18			TRUCK	
19			TRUCK	
20			TRUCK	
21			TRUCK	
22			TRUCK	
23			TRUCK	
24			TRUCK	
25			TRUCK	
26			TRUCK	
27			TRUCK	
28			TRUCK	
29			TRUCK	
30			TRUCK	
31			TRUCK	
32			TRUCK	
33			TRUCK	
34			TRUCK	
35			TRUCK	
36			TRUCK	
37			TRUCK	
38			TRUCK	
39			TRUCK	
40			TRUCK	
41			TRUCK	
42			TRUCK	
43			TRUCK	
44			TRUCK	
45			TRUCK	
46			TRUCK	
47			TRUCK	
48			TRUCK	
49			TRUCK	
50			TRUCK	
51			TRUCK	
52			TRUCK	
53			TRUCK	
54			TRUCK	
55			TRUCK	
56			TRUCK	
57			TRUCK	
58			TRUCK	
59			TRUCK	
60			TRUCK	
61			TRUCK	
62			TRUCK	
63			TRUCK	
64			TRUCK	
65			TRUCK	
66			TRUCK	
67			TRUCK	
68			TRUCK	
69			TRUCK	
70			TRUCK	
71			TRUCK	
72			TRUCK	
73			TRUCK	
74			TRUCK	
75			TRUCK	
76			TRUCK	
77			TRUCK	
78			TRUCK	
79			TRUCK	
80			TRUCK	
81			TRUCK	
82			TRUCK	
83			TRUCK	
84			TRUCK	
85			TRUCK	
86			TRUCK	
87			TRUCK	
88			TRUCK	
89			TRUCK	
90			TRUCK	
91			TRUCK	
92			TRUCK	
93			TRUCK	
94			TRUCK	
95			TRUCK	
96			TRUCK	
97			TRUCK	
98			TRUCK	
99			TRUCK	
100			TRUCK	

POST LOCK PULLER, INC.
REV. 005, COMPANY FORM, 10-2005
D01934
SHEET 1 OF 3

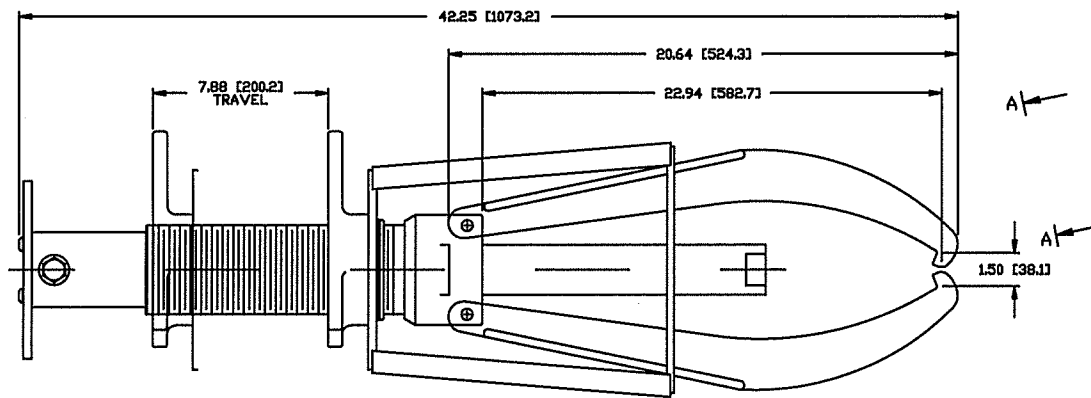
RAM POINT SET



ITEM NO	QTY	PART NO	DESCRIPTION	NOTES
		MATERIAL:	DRWN AE/TSB	07MAY91
		SCALE:	CHECKER	
DIMENSIONS ARE IN INCHES DIMENSIONS AND UNITS IN [] ARE IN MILLIMETERS UNLESS OTHERWISE NOTED				
ALL DIMENSIONS ARE TO UNLESS OTHERWISE SPECIFIED UNLESS OTHERWISE SPECIFIED				
COPYRIGHT © PROPERTY OF POSI LOCK PULLER, INC. Box 416, Copperstown, MD 20625				
		PART NAME:	PH113/PH213	REV
		MODEL:	001933	
		SHEET:	2 OF 2	D



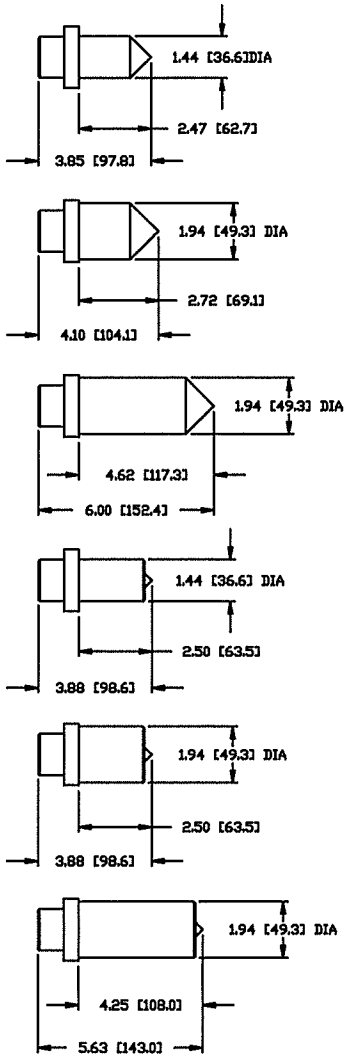
.500 [12.70]
DIA JAW PIN
OPENED



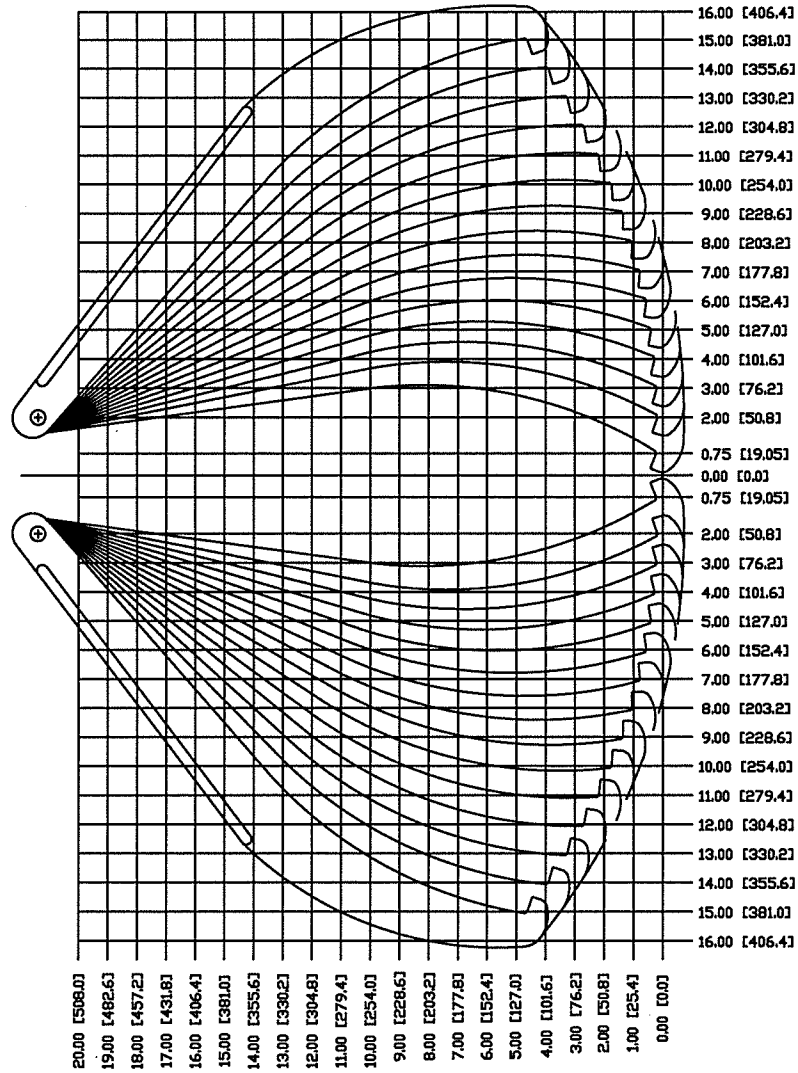
CLOSED

ITEM NO.	QTY.	PART NO.	DESCRIPTION	MATERIAL	DRAWN	AE/T/SB	DATE	NOTES
1							9MAY91	
<input type="checkbox"/> FLATNESS <input type="checkbox"/> STRAIGHTNESS <input type="checkbox"/> ANGULARITY <input type="checkbox"/> PERPENDICULARITY <input type="checkbox"/> PARALLELISM <input type="checkbox"/> SQUARENESS <input type="checkbox"/> CHIRALITY <input type="checkbox"/> PROFILE OF SURF. <input type="checkbox"/> PROFILE OF LINE <input type="checkbox"/> ROUNDTNESS <input type="checkbox"/> CONCENTRICITY <input type="checkbox"/> SYMMETRY <input type="checkbox"/> TRUE POSITION <input type="checkbox"/> FREE FORM DEVIATION <input type="checkbox"/> MAX. TOTAL <input type="checkbox"/> FEATURE SIZE		SCALE: CHECKED DIMENSIONS ARE IN INCHES UNLESS OTHERWISE NOTED IN 1:1 ARE IN MILLIMETERS UNLESS OTHERWISE NOTED. UNLESS SPECIFIED OTHERWISE DIMENSIONS ARE TO BE TAKEN TO THE EXTENSION OF THE DIMENSION LINE. DIMENSIONS ARE TO BE TAKEN UNLESS OTHERWISE SPECIFIED. DIMENSIONS ARE TO BE TAKEN UNLESS OTHERWISE SPECIFIED.		POSI LOCK PULLER, INC. Box 855, Cooperstown, NY 13329		PART NAME: D01934 MODEL: PH113/PH213 LONG JAWS		SHEET 3 OF 3 REV D

RAM POINT SET



REFERENCE GRID



ITEM NO.	QTY.	PART NO.	DESCRIPTION	NOTES
		MATERIAL:	DRUM	AE/TSB 9MAY91
		SCALE:	CHECKED	
DIMENSIONS ARE IN INCHES, DIMENSIONS AND UNITS IN 1/32 ARE IN MILLIMETERS UNLESS OTHERWISE NOTED. DIMENSIONS ARE TO CENTER UNLESS OTHERWISE NOTED. DIMENSIONS ARE TO CENTER UNLESS OTHERWISE NOTED. DIMENSIONS ARE TO CENTER UNLESS OTHERWISE NOTED.				
PROPERTY OF POSI LOCK PULLER, INC. Box 246, Cooperstown, NY 13329				
		PART NAME:	PART NO.	REV.
		MODEL PH13/PH213	001934	
		LONG JAWS	SHEET 2 OF 3	D