

**POSI LOCK MODELS PH113\PH213  
GEAR AND BEARING PULLER**

JAW SPREAD	DIM A	DIM B	DIM C	DIM D	DIM E	DIM F	DIM G	DIM H	DIM J	DIM K	DIM L
2.50 [63.5]	4.53 [115.1]	4.82 [122.4]	4.73 [120.1]	4.51 [114.6]	4.29 [109.0]	4.06 [103.1]	3.84 [97.5]	3.62 [91.9]	3.40 [86.4]	3.18 [80.8]	.617 [15.67]
4.00 [101.6]	5.76 [146.3]	5.94 [150.9]	5.74 [145.8]	5.40 [137.2]	5.05 [128.3]	4.71 [119.6]	4.36 [110.7]	4.02 [102.1]	3.67 [93.2]	3.33 [84.6]	.618 [15.70]
6.00 [152.4]	7.38 [187.5]	7.45 [189.2]	7.12 [180.8]	6.61 [167.9]	6.09 [154.7]	5.58 [141.7]	5.07 [128.8]	4.55 [115.6]	4.04 [102.6]	3.53 [89.7]	.615 [15.62]
8.00 [203.2]	9.02 [229.1]	8.98 [228.1]	8.56 [217.4]	7.87 [199.9]	7.18 [182.4]	6.49 [164.8]	5.80 [147.3]	5.11 [129.8]	4.42 [112.3]	3.73 [94.7]	.609 [15.47]
10.00 [254.0]	10.68 [271.3]	10.57 [268.5]	10.07 [255.8]	9.21 [233.9]	8.33 [211.6]	7.46 [189.5]	6.58 [167.1]	5.70 [144.8]	4.82 [122.4]	3.94 [100.1]	.598 [15.19]
12.00 [304.8]	12.38 [314.5]	12.23 [310.6]	11.67 [296.4]	10.68 [271.2]	9.59 [243.6]	8.51 [216.2]	7.42 [188.5]	6.34 [161.0]	5.25 [133.4]	4.16 [105.7]	.583 [14.81]
14.00 [355.6]	14.14 [359.1]	13.97 [354.8]	13.40 [340.4]	12.33 [313.2]	11.01 [279.7]	9.69 [246.1]	8.37 [212.6]	7.04 [178.8]	5.72 [145.3]	4.40 [111.8]	.564 [14.33]
16.00 [406.4]	15.97 [405.6]	15.82 [401.8]	15.25 [387.4]	14.20 [360.7]	12.65 [321.3]	11.05 [280.7]	9.46 [240.3]	7.86 [199.6]	6.27 [159.3]	4.67 [118.6]	.539 [13.69]
18.00 [457.2]	18.00 [457.2]	17.77 [451.4]	17.26 [438.4]	16.27 [413.3]	14.63 [371.6]	12.70 [322.6]	10.77 [273.6]	8.85 [224.8]	6.92 [175.8]	4.99 [126.7]	.508 [12.90]

<b>MODEL PH113</b>	<b>MODEL PH213</b>
25 TON [22.8 METRIC TONS]	25 TON [22.8 METRIC TONS]
3 JAW	2 JAW
RAM STROKE 14.25 [362.0]	RAM STROKE 14.25 [362.0]
REACH 12.0 [304.8]	REACH 12.0 [304.8]
SPREAD 2.5 [63.5] TO 18.0 [457.2]	SPREAD 2.5 [63.5] TO 18.0 [457.2]
WT. 110 Lbs.[49.9 kg]	WT. 98 Lbs.[44 kg]
RATED FOR 10000 PSI	RATED FOR 10000 PSI

ITEM NO.	QTY.	PART NO.	DESCRIPTION	NOTES
1			FLATNESS	
2			SYMMETRICITY	
3			ANGULARITY	
4			PERPENDICULARITY	
5			PARALLELISM	
6			ROUNDNESS	
7			CIRCULARITY	
8			PROFILE OF SURF.	
9			FREE-FORM SURF.	
10			TEXT POSITION	
11			FILE NAME BY ALL	
12			DATE	
13			BY	
14			CHECKED	
15			DATE	
16			BY	
17			DATE	
18			BY	
19			DATE	
20			BY	
21			DATE	
22			BY	
23			DATE	
24			BY	
25			DATE	
26			BY	
27			DATE	
28			BY	
29			DATE	
30			BY	
31			DATE	
32			BY	
33			DATE	
34			BY	
35			DATE	
36			BY	
37			DATE	
38			BY	
39			DATE	
40			BY	
41			DATE	
42			BY	
43			DATE	
44			BY	
45			DATE	
46			BY	
47			DATE	
48			BY	
49			DATE	
50			BY	

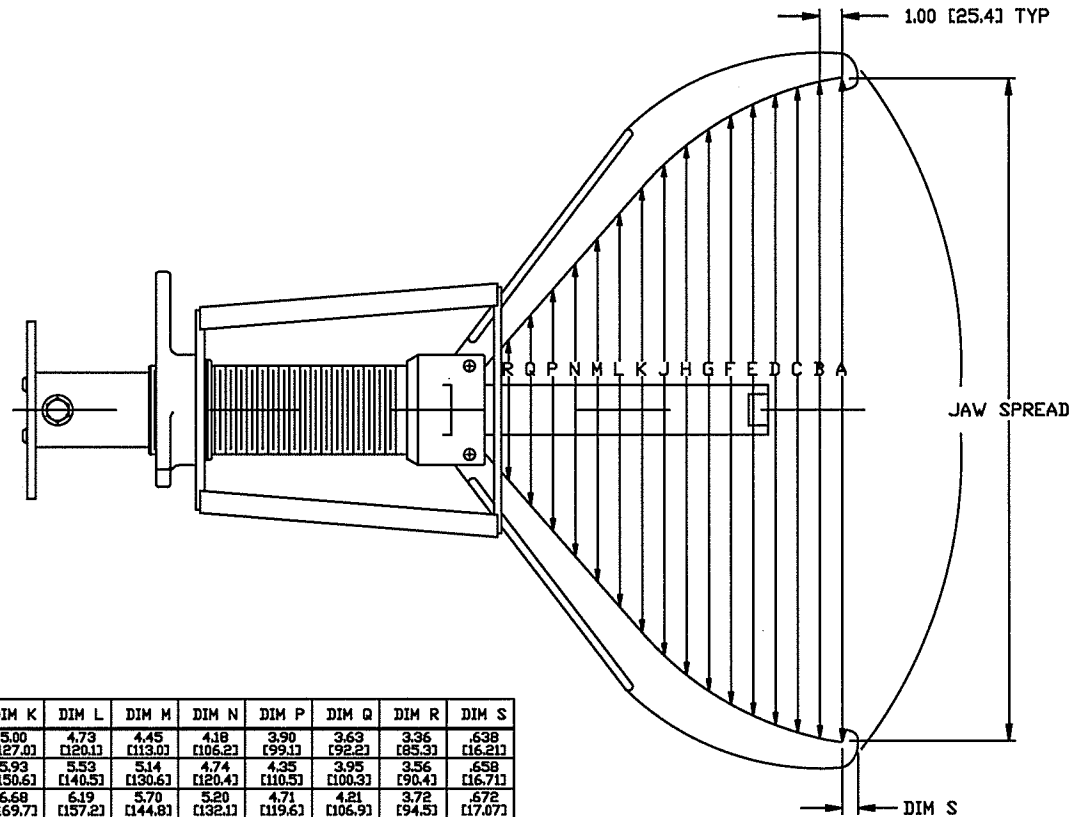
# POSI LOCK MODELS PH113/PH213 LONG JAWS GEAR AND BEARING PULLER

## MODEL PH113

25 TON [22.8 METRIC TONS]  
3 JAW  
RAM STROKE 14.25 [362.0]  
REACH 20.0 [508.0]  
SPREAD 1.5 [38.1] TO 30.0 [762.0]  
WT. 124 Lbs.[56.2 kg]  
RATED FOR 10000 PSI

## MODEL PH213

25 TON [22.8 METRIC TONS]  
2 JAW  
RAM STROKE 14.25 [362.0]  
REACH 20.0 [508.0]  
SPREAD 1.5 [38.1] TO 30.0 [762.0]  
WT. 110 Lbs.[49.9 kg]  
RATED FOR 10000 PSI

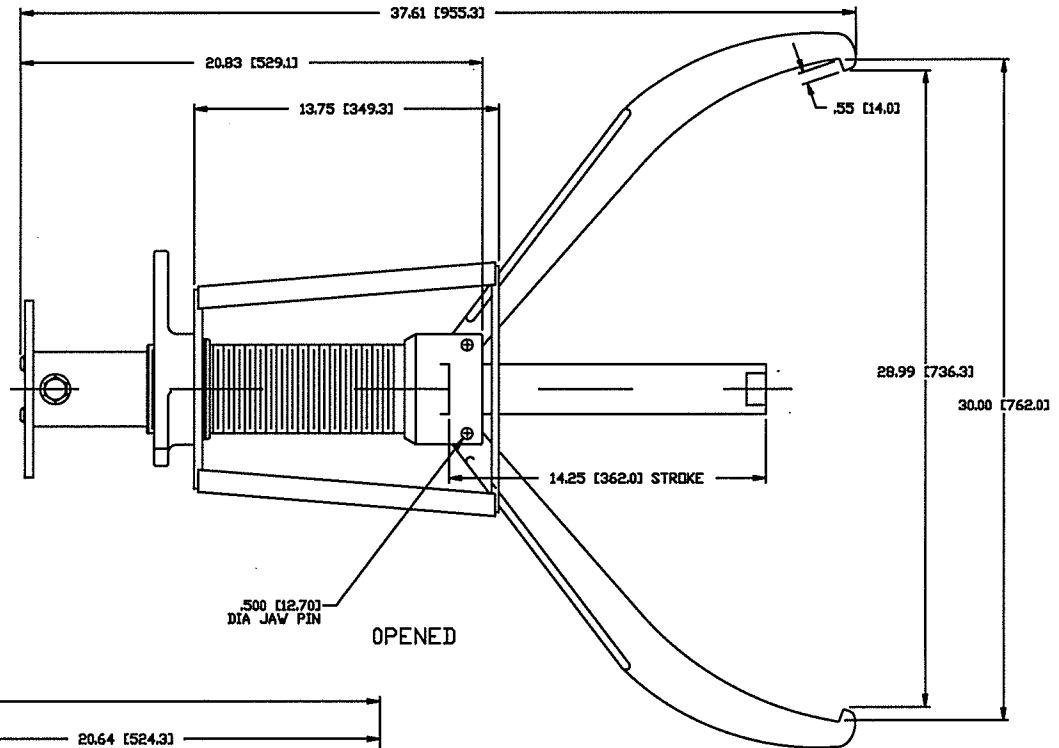
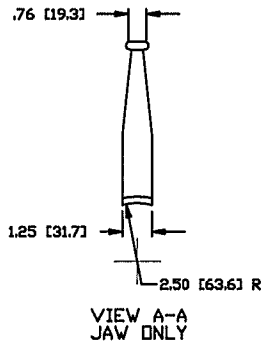


JAW SPREAD	DIM A	DIM B	DIM C	DIM D	DIM E	DIM F	DIM G	DIM H	DIM J	DIM K	DIM L	DIM M	DIM N	DIM P	DIM Q	DIM R	DIM S
1.50 [38.1]	5.32 [136.1]	5.76 [146.8]	6.06 [153.9]	6.20 [157.5]	6.21 [157.7]	6.08 [154.4]	5.82 [147.8]	5.55 [141.0]	5.27 [133.9]	5.00 [127.0]	4.73 [120.1]	4.45 [113.0]	4.18 [106.2]	3.90 [99.1]	3.63 [92.2]	3.36 [85.3]	3.08 [78.4]
4.00 [101.6]	7.31 [185.7]	7.62 [193.5]	7.79 [197.9]	7.82 [198.6]	7.72 [196.1]	7.49 [190.2]	7.11 [180.6]	6.78 [170.7]	6.32 [160.5]	5.93 [150.6]	5.53 [140.5]	5.14 [130.6]	4.74 [120.4]	4.35 [110.5]	3.95 [100.3]	3.56 [90.4]	3.17 [80.5]
6.00 [152.4]	8.86 [225.0]	9.08 [230.6]	9.17 [232.9]	9.13 [231.9]	8.94 [227.1]	8.63 [219.2]	8.17 [207.5]	7.67 [194.8]	7.18 [182.4]	6.68 [169.7]	6.19 [157.2]	5.70 [144.8]	5.20 [132.1]	4.71 [119.6]	4.21 [106.9]	3.72 [94.5]	3.23 [82.1]
8.00 [203.2]	10.41 [264.4]	10.56 [268.2]	10.57 [268.5]	10.45 [265.4]	10.19 [258.8]	9.79 [248.7]	9.24 [234.7]	8.65 [220.7]	8.05 [204.5]	7.46 [189.5]	6.86 [174.2]	6.27 [159.3]	5.67 [144.0]	5.07 [128.8]	4.48 [113.8]	3.88 [98.6]	3.29 [83.4]
10.0 [254.0]	11.98 [304.3]	12.05 [306.1]	11.99 [304.5]	11.79 [299.5]	11.46 [291.1]	10.99 [279.1]	10.35 [262.9]	9.65 [245.1]	8.95 [227.3]	8.25 [209.6]	7.55 [191.8]	6.85 [174.0]	6.15 [156.2]	5.45 [138.4]	4.75 [120.7]	4.05 [102.9]	3.35 [85.1]
12.0 [304.8]	13.56 [344.4]	13.56 [344.4]	13.43 [341.1]	13.17 [334.5]	12.76 [324.1]	12.22 [310.4]	11.51 [292.4]	10.70 [271.8]	9.89 [251.2]	9.08 [230.6]	8.27 [210.1]	7.46 [189.5]	6.65 [168.9]	5.84 [148.3]	5.03 [127.8]	4.22 [107.2]	3.41 [86.6]
14.0 [355.6]	15.16 [385.1]	15.10 [383.5]	14.91 [378.7]	14.58 [370.3]	14.11 [358.4]	13.49 [342.6]	12.71 [322.8]	11.79 [302.5]	10.87 [282.5]	9.94 [262.5]	9.02 [242.5]	8.09 [222.5]	7.17 [202.5]	6.24 [182.5]	5.32 [162.5]	4.40 [142.5]	3.49 [122.5]
16.0 [406.4]	16.81 [427.0]	16.69 [423.9]	16.44 [417.6]	16.05 [407.7]	15.51 [394.0]	14.82 [376.4]	13.97 [354.8]	12.95 [332.9]	11.90 [312.3]	10.85 [292.3]	9.81 [272.3]	8.76 [252.3]	7.72 [232.3]	6.67 [212.3]	5.62 [192.3]	4.58 [172.3]	3.53 [152.3]
18.0 [457.2]	18.49 [469.6]	18.32 [465.3]	18.01 [457.5]	17.56 [446.0]	16.97 [431.0]	16.22 [412.0]	15.29 [390.4]	14.17 [369.9]	13.00 [349.2]	11.82 [329.2]	10.65 [309.2]	9.47 [289.2]	8.30 [269.2]	7.12 [249.2]	5.95 [229.2]	4.77 [209.2]	3.59 [189.2]
20.0 [508.0]	20.23 [513.8]	20.01 [508.3]	19.65 [499.1]	19.15 [486.4]	18.50 [469.9]	17.68 [449.1]	16.69 [423.9]	15.50 [403.7]	14.18 [383.2]	12.87 [363.2]	11.55 [343.2]	10.24 [323.2]	8.92 [303.2]	7.61 [283.2]	6.29 [263.2]	4.97 [243.2]	3.65 [223.2]
22.0 [558.8]	22.04 [559.8]	21.77 [553.0]	21.36 [542.5]	20.81 [528.6]	20.11 [510.8]	19.24 [488.7]	18.19 [462.0]	16.93 [435.9]	15.47 [415.9]	14.00 [395.9]	12.54 [375.9]	11.07 [355.9]	9.60 [335.9]	8.13 [315.9]	6.66 [295.9]	5.19 [275.9]	3.72 [255.9]
24.0 [609.6]	23.91 [607.3]	23.61 [599.7]	23.16 [588.3]	22.57 [573.3]	21.82 [554.2]	20.90 [530.9]	19.79 [502.7]	18.47 [474.9]	16.89 [452.9]	15.26 [432.9]	13.62 [412.9]	11.98 [392.9]	10.34 [372.9]	8.71 [352.9]	7.07 [332.9]	5.43 [312.9]	3.79 [292.9]
25.88 [654.4]	25.88 [657.4]	25.54 [648.7]	25.06 [636.5]	24.43 [620.5]	23.64 [600.5]	22.67 [575.8]	21.52 [546.6]	20.14 [516.6]	18.49 [496.6]	16.66 [476.6]	14.83 [456.6]	13.01 [436.6]	11.18 [416.6]	9.35 [396.6]	7.52 [376.6]	5.70 [356.6]	3.88 [336.6]
27.94 [709.7]	27.94 [709.7]	27.57 [700.3]	27.06 [687.3]	26.43 [670.6]	25.58 [649.7]	24.59 [624.6]	23.39 [594.1]	21.96 [564.1]	20.27 [534.1]	18.26 [514.1]	16.22 [494.1]	14.17 [474.1]	12.13 [454.1]	10.08 [434.1]	8.04 [414.1]	5.99 [394.1]	3.94 [374.1]
30.0 [762.0]	30.00 [762.0]	29.74 [755.4]	29.21 [741.9]	28.53 [724.7]	27.68 [703.1]	26.66 [677.2]	25.43 [645.9]	23.98 [615.9]	22.24 [585.9]	20.13 [565.9]	17.83 [545.9]	15.53 [525.9]	13.23 [505.9]	10.93 [485.9]	8.63 [465.9]	6.34 [445.9]	4.04 [425.9]

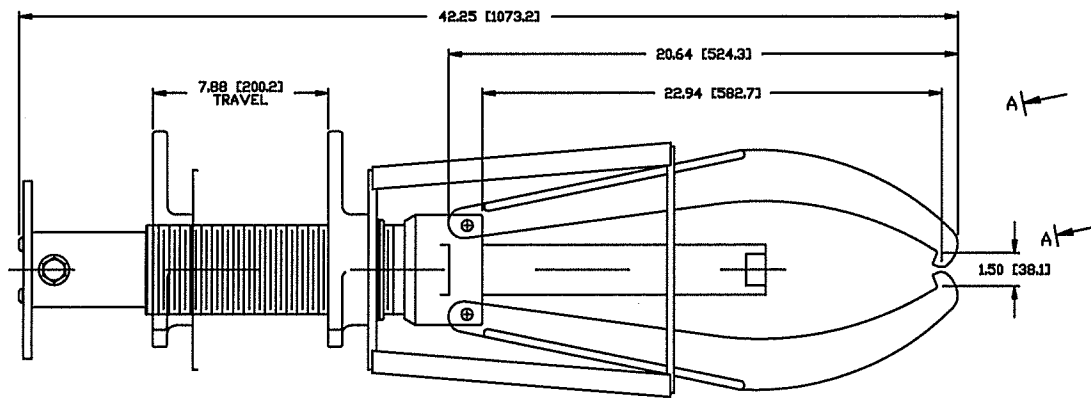
ITEM NO.	QTY.	PART NO.	DESCRIPTION	NOTES
1			FRAMING	
2			GEAR	
3			BEARING	
4			SHAFT	
5			WASHER	
6			LOCKWASHER	
7			SCREW	
8			KEY	
9			KEYWAY	
10			KEYWAY	
11			KEYWAY	
12			KEYWAY	
13			KEYWAY	
14			KEYWAY	
15			KEYWAY	
16			KEYWAY	
17			KEYWAY	
18			KEYWAY	
19			KEYWAY	
20			KEYWAY	
21			KEYWAY	
22			KEYWAY	
23			KEYWAY	
24			KEYWAY	
25			KEYWAY	
26			KEYWAY	
27			KEYWAY	
28			KEYWAY	
29			KEYWAY	
30			KEYWAY	
31			KEYWAY	
32			KEYWAY	
33			KEYWAY	
34			KEYWAY	
35			KEYWAY	
36			KEYWAY	
37			KEYWAY	
38			KEYWAY	
39			KEYWAY	
40			KEYWAY	
41			KEYWAY	
42			KEYWAY	
43			KEYWAY	
44			KEYWAY	
45			KEYWAY	
46			KEYWAY	
47			KEYWAY	
48			KEYWAY	
49			KEYWAY	
50			KEYWAY	
51			KEYWAY	
52			KEYWAY	
53			KEYWAY	
54			KEYWAY	
55			KEYWAY	
56			KEYWAY	
57			KEYWAY	
58			KEYWAY	
59			KEYWAY	
60			KEYWAY	
61			KEYWAY	
62			KEYWAY	
63			KEYWAY	
64			KEYWAY	
65			KEYWAY	
66			KEYWAY	
67			KEYWAY	
68			KEYWAY	
69			KEYWAY	
70			KEYWAY	
71			KEYWAY	
72			KEYWAY	
73			KEYWAY	
74			KEYWAY	
75			KEYWAY	
76			KEYWAY	
77			KEYWAY	
78			KEYWAY	
79			KEYWAY	
80			KEYWAY	
81			KEYWAY	
82			KEYWAY	
83			KEYWAY	
84			KEYWAY	
85			KEYWAY	
86			KEYWAY	
87			KEYWAY	
88			KEYWAY	
89			KEYWAY	
90			KEYWAY	
91			KEYWAY	
92			KEYWAY	
93			KEYWAY	
94			KEYWAY	
95			KEYWAY	
96			KEYWAY	
97			KEYWAY	
98			KEYWAY	
99			KEYWAY	
100			KEYWAY	

POST LOCK PULLER, INC.  
REV. 005, COMPANY FORM, 10-2005  
D01934  
SHEET 1 OF 3





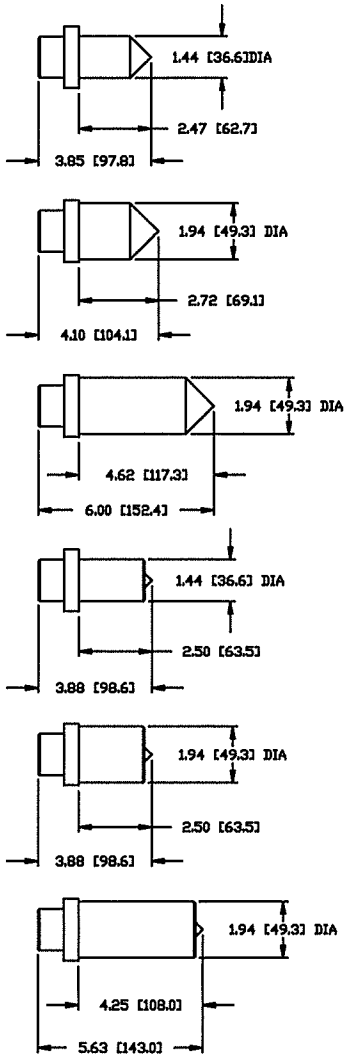
.500 [12.70]  
DIA JAW PIN  
OPENED



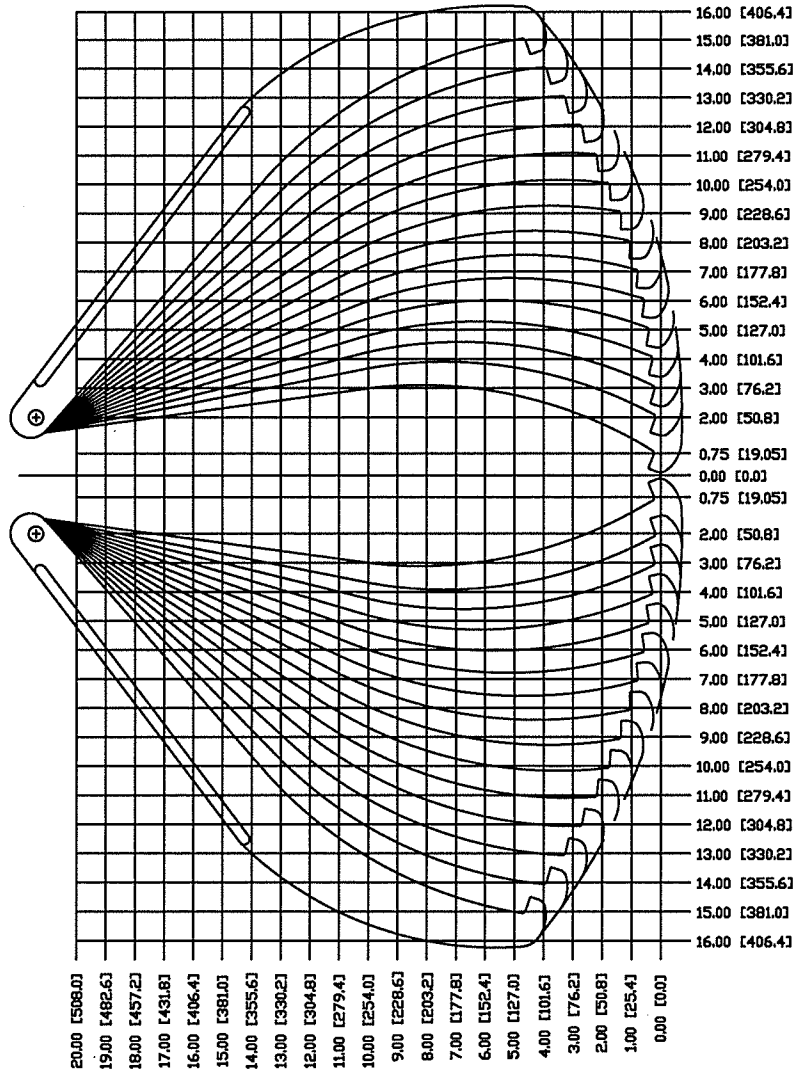
CLOSED

ITEM NO.	QTY.	PART NO.	DESCRIPTION	NOTES	
<input type="checkbox"/> FLATNESS <input type="checkbox"/> STRAIGHTNESS <input type="checkbox"/> ANGULARITY <input type="checkbox"/> PERPENDICULARITY <input type="checkbox"/> PARALLELISM <input type="checkbox"/> SQUARENESS <input type="checkbox"/> CHIRALITY <input type="checkbox"/> PROFILE OF SURF. <input type="checkbox"/> PROFILE OF LINE <input type="checkbox"/> ROUNDTNESS <input type="checkbox"/> CONCENTRICITY <input type="checkbox"/> SYMMETRY <input type="checkbox"/> TRUE POSITION <input type="checkbox"/> FREE FORM DEVIATION <input type="checkbox"/> MAX. MATERIAL CONDITION		MATERIAL:	DRAWN	AE/T/SB	9MAY91
		SCALE:	CHECKED		
DIMENSIONS ARE IN INCHES UNLESS OTHERWISE NOTED IN 1:1 CASE, IN MILLIMETERS UNLESS OTHERWISE NOTED. UNLESS SPECIFIED OTHERWISE DIMENSIONS ARE TO BE TAKEN TO THE CENTERLINE OF THE FEATURE UNLESS OTHERWISE SPECIFIED. DIMENSIONS ARE PROPERTY OF <b>POSI LOCK PULLER, INC.</b> Box 855, Cooperstown, NY 13329					
		PART NAME:	REV:		
<input type="checkbox"/> HOLE PAT. COND. <input type="checkbox"/> UNDESIRABLE OF <input type="checkbox"/> FEATURE SIZE		MODEL PH113/PH213	D01934		
		LONG JAWS	SHEET	3 of 3	D

RAM POINT SET



REFERENCE GRID



ITEM NO.	QTY.	PART NO.	DESCRIPTION	NOTES
		MATERIAL:	DRUM	AE/TSB 9MAY91
		SCALE:	CHECKED	
DIMENSIONS ARE IN INCHES, DIMENSIONS AND UNITS IN [ ] ARE IN MILLIMETERS UNLESS OTHERWISE NOTED. DIMENSIONS ARE TO UNLESS OTHERWISE SPECIFIED. UNLESS OTHERWISE SPECIFIED, ALL DIMENSIONS ARE TO CENTER UNLESS NOTED OTHERWISE. UNLESS OTHERWISE SPECIFIED, ALL DIMENSIONS ARE TO CENTER UNLESS NOTED OTHERWISE.				
PROPERTY OF POSI LOCK PULLER, INC. Box 246, Cooperstown, NY 13329				
		PART NAME:	PART NO.	REV.
		MODEL PH113/PH213	001934	
		LONG JAWS	SHEET 2 OF 3	D