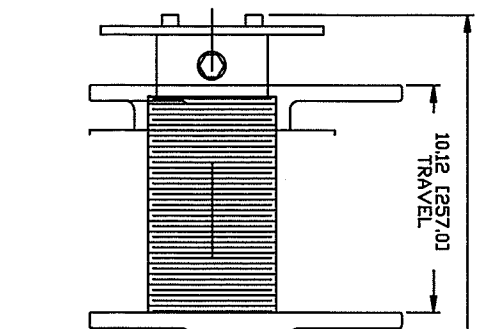
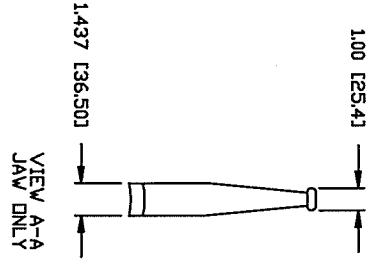
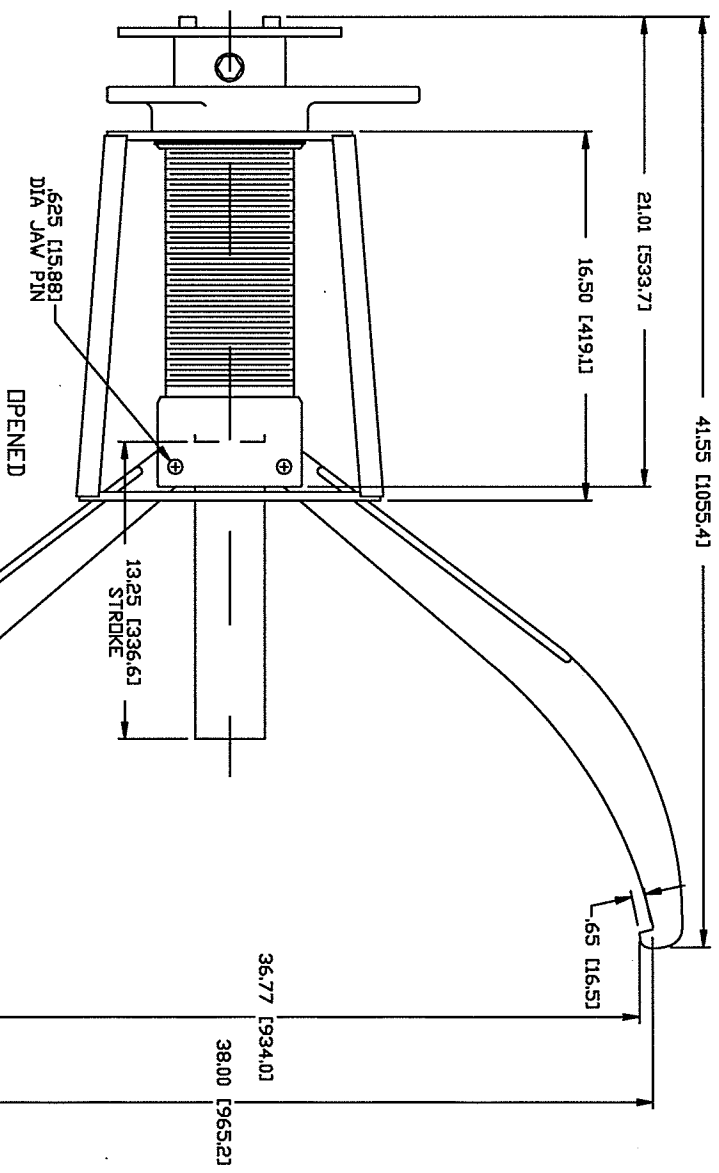
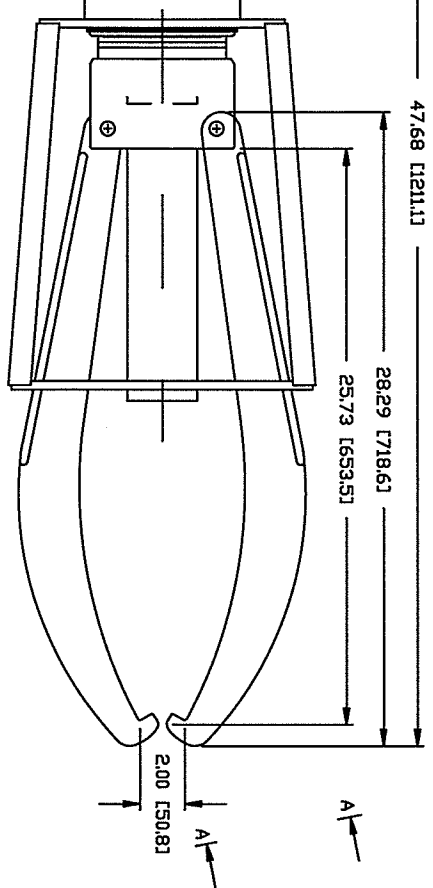


|     |      |    |      |                       |
|-----|------|----|------|-----------------------|
| REV | DATE | BY | CHKD | DESCRIPTION           |
| 1   |      |    |      | ISSUED FOR PRODUCTION |
| 2   |      |    |      | REVISION              |
| 3   |      |    |      | REVISION              |
| 4   |      |    |      | REVISION              |
| 5   |      |    |      | REVISION              |
| 6   |      |    |      | REVISION              |
| 7   |      |    |      | REVISION              |
| 8   |      |    |      | REVISION              |
| 9   |      |    |      | REVISION              |
| 10  |      |    |      | REVISION              |
| 11  |      |    |      | REVISION              |
| 12  |      |    |      | REVISION              |
| 13  |      |    |      | REVISION              |
| 14  |      |    |      | REVISION              |
| 15  |      |    |      | REVISION              |
| 16  |      |    |      | REVISION              |
| 17  |      |    |      | REVISION              |
| 18  |      |    |      | REVISION              |
| 19  |      |    |      | REVISION              |
| 20  |      |    |      | REVISION              |
| 21  |      |    |      | REVISION              |
| 22  |      |    |      | REVISION              |
| 23  |      |    |      | REVISION              |
| 24  |      |    |      | REVISION              |
| 25  |      |    |      | REVISION              |
| 26  |      |    |      | REVISION              |
| 27  |      |    |      | REVISION              |
| 28  |      |    |      | REVISION              |
| 29  |      |    |      | REVISION              |
| 30  |      |    |      | REVISION              |
| 31  |      |    |      | REVISION              |
| 32  |      |    |      | REVISION              |
| 33  |      |    |      | REVISION              |
| 34  |      |    |      | REVISION              |
| 35  |      |    |      | REVISION              |
| 36  |      |    |      | REVISION              |
| 37  |      |    |      | REVISION              |
| 38  |      |    |      | REVISION              |
| 39  |      |    |      | REVISION              |
| 40  |      |    |      | REVISION              |
| 41  |      |    |      | REVISION              |
| 42  |      |    |      | REVISION              |
| 43  |      |    |      | REVISION              |
| 44  |      |    |      | REVISION              |
| 45  |      |    |      | REVISION              |
| 46  |      |    |      | REVISION              |
| 47  |      |    |      | REVISION              |
| 48  |      |    |      | REVISION              |
| 49  |      |    |      | REVISION              |
| 50  |      |    |      | REVISION              |
| 51  |      |    |      | REVISION              |
| 52  |      |    |      | REVISION              |
| 53  |      |    |      | REVISION              |
| 54  |      |    |      | REVISION              |
| 55  |      |    |      | REVISION              |
| 56  |      |    |      | REVISION              |
| 57  |      |    |      | REVISION              |
| 58  |      |    |      | REVISION              |
| 59  |      |    |      | REVISION              |
| 60  |      |    |      | REVISION              |
| 61  |      |    |      | REVISION              |
| 62  |      |    |      | REVISION              |
| 63  |      |    |      | REVISION              |
| 64  |      |    |      | REVISION              |
| 65  |      |    |      | REVISION              |
| 66  |      |    |      | REVISION              |
| 67  |      |    |      | REVISION              |
| 68  |      |    |      | REVISION              |
| 69  |      |    |      | REVISION              |
| 70  |      |    |      | REVISION              |
| 71  |      |    |      | REVISION              |
| 72  |      |    |      | REVISION              |
| 73  |      |    |      | REVISION              |
| 74  |      |    |      | REVISION              |
| 75  |      |    |      | REVISION              |
| 76  |      |    |      | REVISION              |
| 77  |      |    |      | REVISION              |
| 78  |      |    |      | REVISION              |
| 79  |      |    |      | REVISION              |
| 80  |      |    |      | REVISION              |
| 81  |      |    |      | REVISION              |
| 82  |      |    |      | REVISION              |
| 83  |      |    |      | REVISION              |
| 84  |      |    |      | REVISION              |
| 85  |      |    |      | REVISION              |
| 86  |      |    |      | REVISION              |
| 87  |      |    |      | REVISION              |
| 88  |      |    |      | REVISION              |
| 89  |      |    |      | REVISION              |
| 90  |      |    |      | REVISION              |
| 91  |      |    |      | REVISION              |
| 92  |      |    |      | REVISION              |
| 93  |      |    |      | REVISION              |
| 94  |      |    |      | REVISION              |
| 95  |      |    |      | REVISION              |
| 96  |      |    |      | REVISION              |
| 97  |      |    |      | REVISION              |
| 98  |      |    |      | REVISION              |
| 99  |      |    |      | REVISION              |
| 100 |      |    |      | REVISION              |



CLOSED

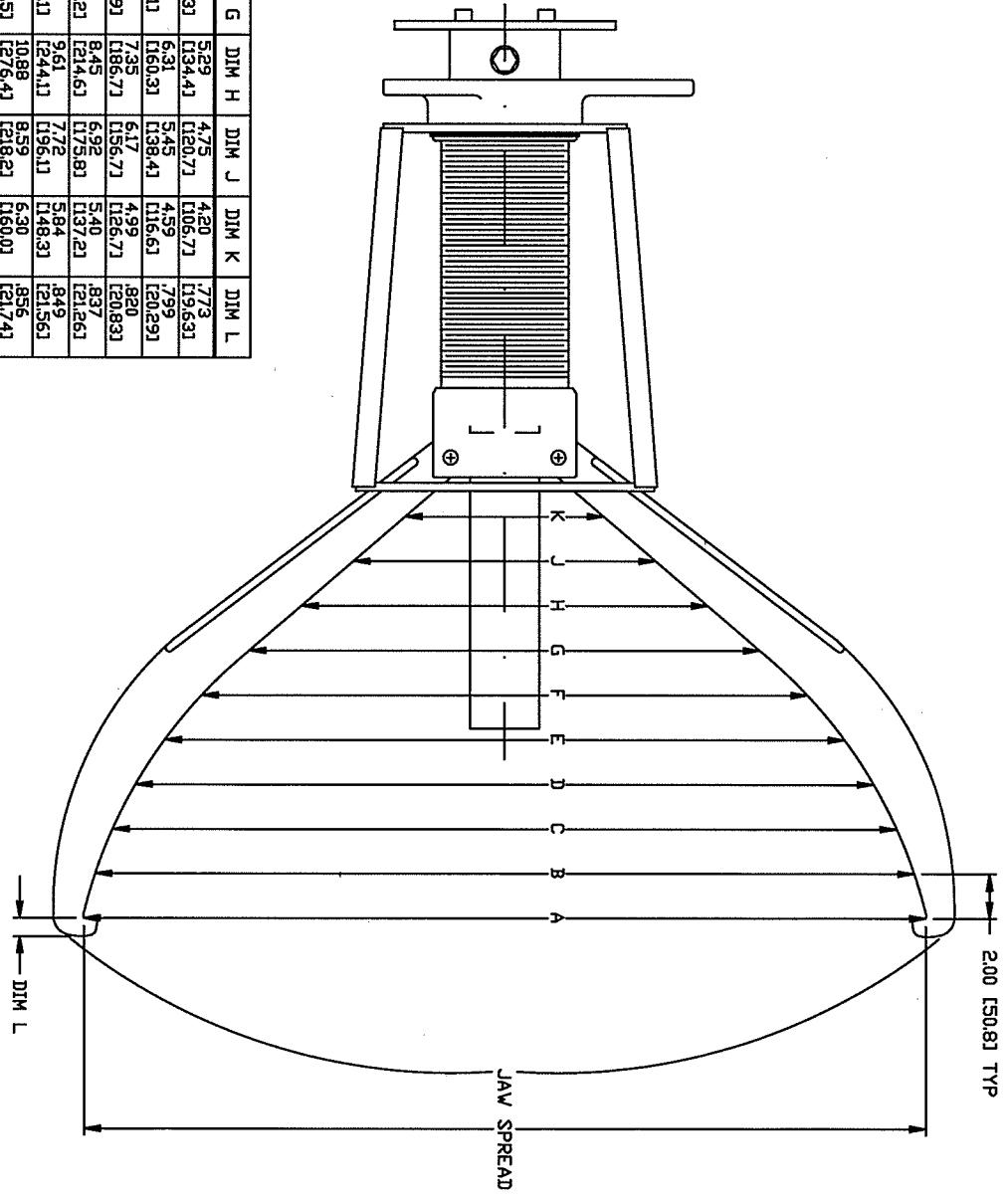


|     |      |    |      |                        |
|-----|------|----|------|------------------------|
| REV | DATE | BY | CHKD | DESCRIPTION            |
| 1   |      |    |      | ISSUED FOR MANUFACTURE |
| 2   |      |    |      | REVISION               |
| 3   |      |    |      | REVISION               |
| 4   |      |    |      | REVISION               |
| 5   |      |    |      | REVISION               |
| 6   |      |    |      | REVISION               |
| 7   |      |    |      | REVISION               |
| 8   |      |    |      | REVISION               |
| 9   |      |    |      | REVISION               |
| 10  |      |    |      | REVISION               |
| 11  |      |    |      | REVISION               |
| 12  |      |    |      | REVISION               |
| 13  |      |    |      | REVISION               |
| 14  |      |    |      | REVISION               |
| 15  |      |    |      | REVISION               |
| 16  |      |    |      | REVISION               |
| 17  |      |    |      | REVISION               |
| 18  |      |    |      | REVISION               |
| 19  |      |    |      | REVISION               |
| 20  |      |    |      | REVISION               |
| 21  |      |    |      | REVISION               |
| 22  |      |    |      | REVISION               |
| 23  |      |    |      | REVISION               |
| 24  |      |    |      | REVISION               |
| 25  |      |    |      | REVISION               |
| 26  |      |    |      | REVISION               |
| 27  |      |    |      | REVISION               |
| 28  |      |    |      | REVISION               |
| 29  |      |    |      | REVISION               |
| 30  |      |    |      | REVISION               |
| 31  |      |    |      | REVISION               |
| 32  |      |    |      | REVISION               |
| 33  |      |    |      | REVISION               |
| 34  |      |    |      | REVISION               |
| 35  |      |    |      | REVISION               |
| 36  |      |    |      | REVISION               |
| 37  |      |    |      | REVISION               |
| 38  |      |    |      | REVISION               |
| 39  |      |    |      | REVISION               |
| 40  |      |    |      | REVISION               |
| 41  |      |    |      | REVISION               |
| 42  |      |    |      | REVISION               |
| 43  |      |    |      | REVISION               |
| 44  |      |    |      | REVISION               |
| 45  |      |    |      | REVISION               |
| 46  |      |    |      | REVISION               |
| 47  |      |    |      | REVISION               |
| 48  |      |    |      | REVISION               |
| 49  |      |    |      | REVISION               |
| 50  |      |    |      | REVISION               |
| 51  |      |    |      | REVISION               |
| 52  |      |    |      | REVISION               |
| 53  |      |    |      | REVISION               |
| 54  |      |    |      | REVISION               |
| 55  |      |    |      | REVISION               |
| 56  |      |    |      | REVISION               |
| 57  |      |    |      | REVISION               |
| 58  |      |    |      | REVISION               |
| 59  |      |    |      | REVISION               |
| 60  |      |    |      | REVISION               |
| 61  |      |    |      | REVISION               |
| 62  |      |    |      | REVISION               |
| 63  |      |    |      | REVISION               |
| 64  |      |    |      | REVISION               |
| 65  |      |    |      | REVISION               |
| 66  |      |    |      | REVISION               |
| 67  |      |    |      | REVISION               |
| 68  |      |    |      | REVISION               |
| 69  |      |    |      | REVISION               |
| 70  |      |    |      | REVISION               |
| 71  |      |    |      | REVISION               |
| 72  |      |    |      | REVISION               |
| 73  |      |    |      | REVISION               |
| 74  |      |    |      | REVISION               |
| 75  |      |    |      | REVISION               |
| 76  |      |    |      | REVISION               |
| 77  |      |    |      | REVISION               |
| 78  |      |    |      | REVISION               |
| 79  |      |    |      | REVISION               |
| 80  |      |    |      | REVISION               |
| 81  |      |    |      | REVISION               |
| 82  |      |    |      | REVISION               |
| 83  |      |    |      | REVISION               |
| 84  |      |    |      | REVISION               |
| 85  |      |    |      | REVISION               |
| 86  |      |    |      | REVISION               |
| 87  |      |    |      | REVISION               |
| 88  |      |    |      | REVISION               |
| 89  |      |    |      | REVISION               |
| 90  |      |    |      | REVISION               |
| 91  |      |    |      | REVISION               |
| 92  |      |    |      | REVISION               |
| 93  |      |    |      | REVISION               |
| 94  |      |    |      | REVISION               |
| 95  |      |    |      | REVISION               |
| 96  |      |    |      | REVISION               |
| 97  |      |    |      | REVISION               |
| 98  |      |    |      | REVISION               |
| 99  |      |    |      | REVISION               |
| 100 |      |    |      | REVISION               |

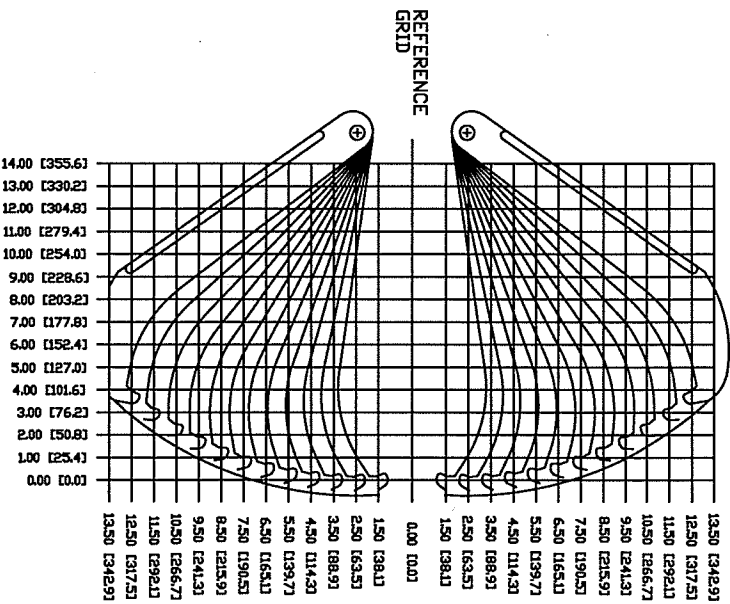
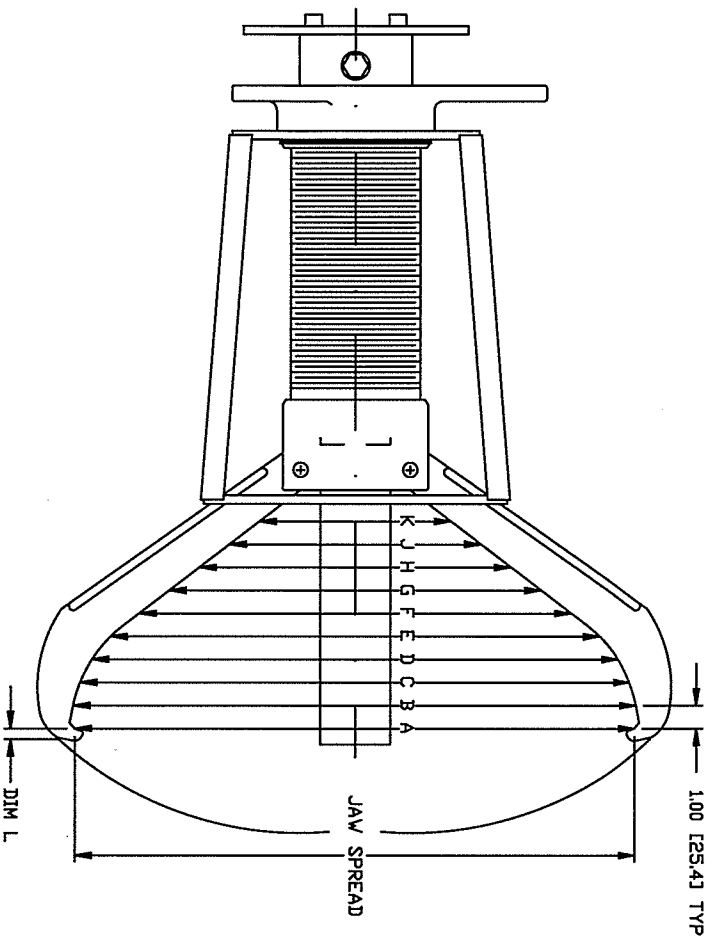
# POST LOCK MODELS PH116/PH216 LONG JAWS GEAR AND BEARING PULLER

|   |  |
|---|--|
| <b>MODEL PH116</b><br>50 TON [45.6 METRIC TONS]<br>3 JAW<br>RAM STROKE 13.25 [336.6]<br>REACH 25.0 [635.0]<br>SPREAD 2.0 [50.8] TD 38.0 [965.2]<br>WT. 230 Lbs. [104.3 kg]<br>RATED FOR 10000 PSI | <b>MODEL PH216</b><br>50 TON [45.6 METRIC TONS]<br>2 JAW<br>RAM STROKE 13.25 [336.6]<br>REACH 25.0 [635.0]<br>SPREAD 2.0 [50.8] TD 38.0 [965.2]<br>WT. 211 Lbs. 95.7 kg<br>RATED FOR 10000 PSI |
|---|--|

| JAW SPREAD    | DIM A         | DIM B         | DIM C         | DIM D         | DIM E         | DIM F         | DIM G         | DIM H         | DIM J         | DIM K        | DIM L        |
|---------------|---------------|---------------|---------------|---------------|---------------|---------------|---------------|---------------|---------------|--------------|--------------|
| 2.00 [50.8]   | 6.42 [163.1]  | 7.10 [180.3]  | 7.41 [188.2]  | 7.35 [186.7]  | 6.93 [176.0]  | 6.39 [162.3]  | 5.84 [148.3]  | 5.29 [134.4]  | 4.75 [120.7]  | 4.20 [106.7] | 3.73 [94.8]  |
| 6.00 [152.4]  | 9.50 [241.3]  | 9.90 [251.5]  | 9.59 [243.6]  | 8.89 [225.6]  | 8.03 [204.0]  | 7.17 [182.1]  | 6.31 [160.3]  | 5.45 [138.4]  | 4.59 [116.6]  | 4.59 [116.6] | 3.79 [96.3]  |
| 10.00 [254.0] | 12.58 [319.5] | 12.71 [322.8] | 11.88 [301.8] | 10.90 [276.9] | 9.72 [246.9]  | 8.54 [216.9]  | 7.35 [186.7]  | 6.17 [156.7]  | 4.99 [126.7]  | 4.99 [126.7] | 3.80 [96.5]  |
| 14.00 [355.6] | 15.69 [398.5] | 15.59 [396.0] | 15.12 [384.0] | 14.26 [362.2] | 13.01 [330.5] | 11.49 [291.8] | 9.97 [253.2]  | 8.45 [214.6]  | 6.92 [175.8]  | 5.40 [137.2] | 4.37 [110.8] |
| 18.00 [457.2] | 18.90 [480.1] | 18.57 [471.7] | 17.86 [453.6] | 16.77 [426.0] | 15.25 [387.4] | 13.38 [339.9] | 11.50 [292.1] | 9.61 [244.1]  | 7.72 [196.1]  | 5.84 [148.3] | 4.49 [113.6] |
| 22.00 [558.8] | 22.23 [564.6] | 21.70 [551.2] | 20.78 [527.8] | 19.45 [494.0] | 17.68 [449.1] | 15.45 [392.7] | 13.17 [334.5] | 10.88 [276.4] | 8.59 [218.2]  | 6.30 [160.0] | 4.85 [123.1] |
| 26.00 [660.4] | 25.75 [654.1] | 25.08 [635.8] | 23.91 [607.3] | 22.37 [568.2] | 20.34 [516.6] | 17.78 [451.6] | 15.04 [382.0] | 12.30 [312.4] | 9.56 [242.8]  | 6.82 [173.2] | 5.09 [129.7] |
| 30.00 [762.0] | 29.52 [749.8] | 28.63 [727.2] | 27.33 [694.2] | 25.58 [649.7] | 23.33 [592.6] | 20.47 [519.9] | 17.20 [436.9] | 13.94 [354.1] | 10.67 [271.0] | 7.40 [188.0] | 5.54 [140.8] |
| 34.00 [863.6] | 33.61 [853.7] | 32.57 [827.3] | 31.12 [790.4] | 29.20 [741.7] | 26.74 [679.2] | 23.61 [599.7] | 19.80 [502.9] | 15.90 [403.9] | 11.99 [304.5] | 8.09 [205.5] | 5.84 [148.3] |
| 38.00 [965.2] | 38.00 [965.2] | 36.97 [939.0] | 35.39 [894.9] | 33.32 [846.3] | 30.69 [779.5] | 27.35 [694.7] | 23.07 [586.0] | 18.36 [466.3] | 13.66 [347.0] | 8.95 [227.3] | 6.24 [158.5] |



|  |  |                                |                                      |                   |
|--|--|--------------------------------|--------------------------------------|-------------------|
| TITLE: POST LOCK PULLER, INC.<br>PART NO: PH116/PH216<br>REV: 1/83 | DRAWN BY: [Signature]<br>CHECKED BY: [Signature] | DATE: 11/78<br>SCALE: AS SHOWN | MATERIAL: [Blank]<br>FINISH: [Blank] | QUANTITY: [Blank] |
|--|--|--------------------------------|--------------------------------------|-------------------|



| JAW SPREAD     | DIM A          | DIM B          | DIM C          | DIM D          | DIM E          | DIM F          | DIM G          | DIM H          | DIM J          | DIM K         | DIM L          |
|----------------|----------------|----------------|----------------|----------------|----------------|----------------|----------------|----------------|----------------|---------------|----------------|
| 3.00 [76.2]    | 6.57 [166.91]  | 6.44 [163.61]  | 6.15 [156.21]  | 5.86 [148.81]  | 5.26 [134.12]  | 5.27 [133.91]  | 4.98 [126.51]  | 4.68 [118.91]  | 4.39 [111.51]  | 4.10 [104.11] | 3.98 [101.91]  |
| 5.00 [127.01]  | 8.08 [205.21]  | 7.84 [199.11]  | 7.41 [188.21]  | 6.98 [177.31]  | 6.55 [166.41]  | 6.12 [155.41]  | 5.68 [144.31]  | 5.25 [133.41]  | 4.82 [122.41]  | 4.39 [111.51] | 4.02 [102.91]  |
| 7.00 [177.81]  | 9.61 [244.11]  | 9.28 [235.71]  | 8.71 [221.21]  | 8.13 [206.51]  | 7.56 [192.01]  | 6.98 [177.31]  | 6.41 [162.81]  | 5.83 [148.11]  | 5.26 [133.41]  | 4.68 [118.91] | 4.03 [103.21]  |
| 9.00 [228.61]  | 11.16 [283.51] | 10.75 [273.11] | 10.05 [255.31] | 9.32 [236.71]  | 8.60 [218.41]  | 7.88 [200.21]  | 7.15 [181.61]  | 6.43 [163.31]  | 5.71 [145.01]  | 4.99 [126.71] | 4.02 [102.91]  |
| 11.00 [279.41] | 12.75 [323.91] | 12.28 [311.91] | 11.46 [291.11] | 10.58 [268.71] | 9.70 [246.41]  | 8.82 [224.01]  | 7.94 [201.71]  | 7.06 [179.31]  | 6.18 [157.01]  | 5.30 [134.61] | 4.39 [111.51]  |
| 13.00 [330.21] | 14.39 [365.51] | 13.88 [352.61] | 12.97 [329.41] | 11.92 [302.81] | 10.87 [276.11] | 9.82 [252.41]  | 8.77 [228.81]  | 7.72 [206.41]  | 6.67 [184.91]  | 5.62 [162.71] | 4.59 [135.01]  |
| 15.00 [381.01] | 16.08 [408.41] | 15.56 [395.21] | 14.52 [371.31] | 13.38 [339.91] | 12.15 [308.61] | 10.91 [277.11] | 9.68 [245.91]  | 8.44 [224.41]  | 7.21 [203.11]  | 5.97 [151.91] | 4.81 [124.761] |
| 17.00 [431.81] | 17.85 [453.41] | 17.33 [440.21] | 16.39 [416.31] | 15.01 [381.31] | 13.57 [344.71] | 12.12 [307.81] | 10.68 [271.31] | 9.24 [234.71]  | 7.80 [209.11]  | 6.36 [161.51] | 5.08 [144.431] |
| 19.00 [482.61] | 19.68 [499.91] | 19.19 [487.41] | 18.29 [464.61] | 16.85 [428.01] | 15.18 [386.61] | 13.50 [342.91] | 11.82 [300.21] | 10.14 [257.61] | 8.46 [214.91]  | 7.28 [182.21] | 5.52 [140.21]  |
| 21.00 [533.41] | 21.58 [548.11] | 21.15 [537.21] | 20.32 [516.11] | 18.97 [481.81] | 17.06 [433.31] | 15.10 [388.51] | 13.15 [334.01] | 11.19 [284.21] | 9.23 [234.41]  | 7.88 [184.91] | 5.82 [135.11]  |
| 23.00 [584.21] | 23.57 [598.71] | 23.21 [589.51] | 22.47 [570.71] | 21.26 [540.01] | 19.35 [491.51] | 17.05 [433.11] | 14.76 [374.91] | 12.46 [316.51] | 10.16 [258.11] | 7.86 [199.61] | 6.07 [152.881] |
| 25.00 [635.01] | 25.00 [635.01] | 25.13 [638.31] | 24.51 [622.61] | 23.45 [595.61] | 21.78 [553.21] | 19.24 [488.71] | 16.56 [420.61] | 13.88 [352.61] | 11.20 [284.51] | 8.51 [216.21] | 6.41 [162.221] |

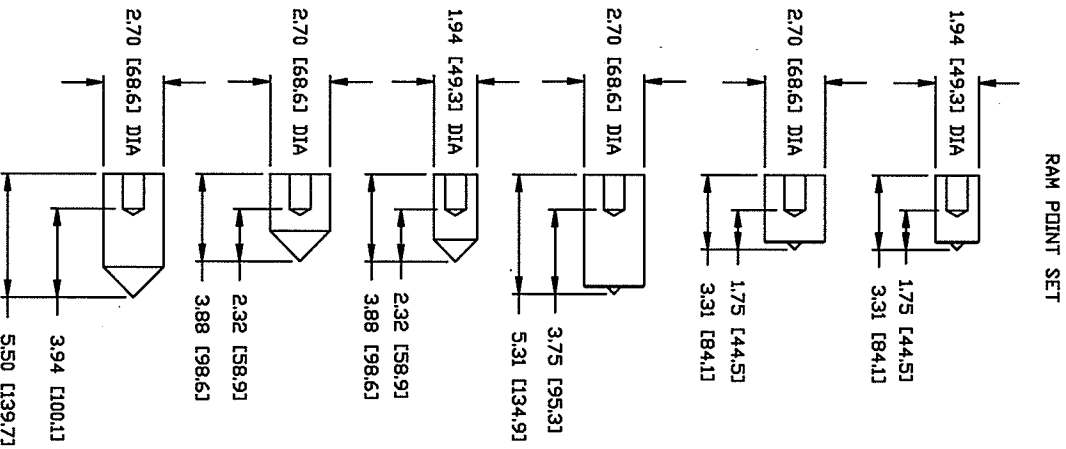
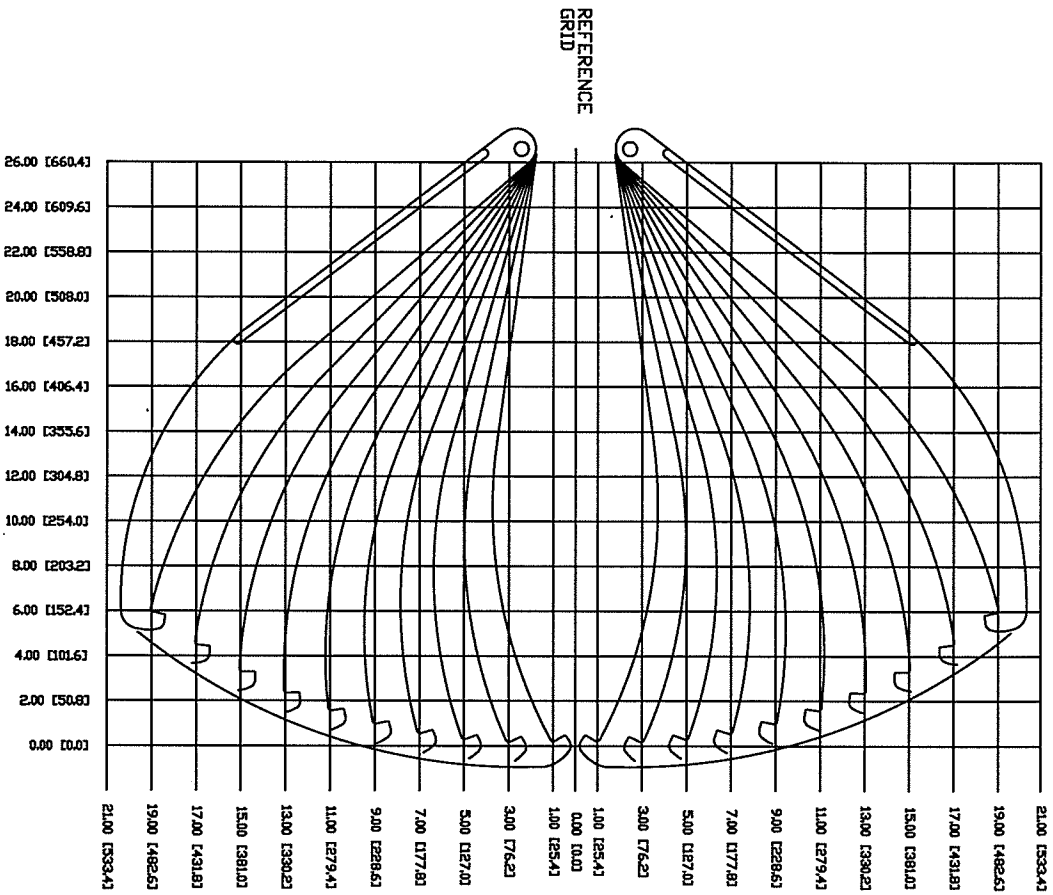
**POSI LOCK MODELS PH116/PH216  
GEAR AND BEARING PULLER**

**MODEL PH116**  
50 TON [45.6 METRIC TONS]  
3 JAW  
RAM STROKE 13.25 [336.61]  
REACH 14.0 [355.61]  
SPREAD 3.0 [76.2] TD 25.0 [635.01]  
WT. 202 Lbs. [91 kg]  
RATED FOR 10000 PSI

**MODEL PH216**  
50 TON [45.6 METRIC TONS]  
2 JAW  
RAM STROKE 13.25 [336.61]  
REACH 14.0 [355.61]  
SPREAD 3.0 [76.2] TD 25.0 [635.01]  
WT. 192 Lbs. [87 kg]  
RATED FOR 10000 PSI

| ITEM NO. | QTY | DESCRIPTION             | UNIT |
|----------|-----|-------------------------|------|
| 1        | 1   | GEAR AND BEARING PULLER | EA   |
| 2        | 1   | RAM                     | EA   |
| 3        | 1   | BEARING                 | EA   |
| 4        | 1   | GEAR                    | EA   |
| 5        | 1   | BEARING                 | EA   |
| 6        | 1   | GEAR                    | EA   |
| 7        | 1   | BEARING                 | EA   |
| 8        | 1   | GEAR                    | EA   |
| 9        | 1   | BEARING                 | EA   |
| 10       | 1   | GEAR                    | EA   |
| 11       | 1   | BEARING                 | EA   |
| 12       | 1   | GEAR                    | EA   |
| 13       | 1   | BEARING                 | EA   |
| 14       | 1   | GEAR                    | EA   |
| 15       | 1   | BEARING                 | EA   |
| 16       | 1   | GEAR                    | EA   |
| 17       | 1   | BEARING                 | EA   |
| 18       | 1   | GEAR                    | EA   |
| 19       | 1   | BEARING                 | EA   |
| 20       | 1   | GEAR                    | EA   |
| 21       | 1   | BEARING                 | EA   |
| 22       | 1   | GEAR                    | EA   |
| 23       | 1   | BEARING                 | EA   |
| 24       | 1   | GEAR                    | EA   |
| 25       | 1   | BEARING                 | EA   |
| 26       | 1   | GEAR                    | EA   |
| 27       | 1   | BEARING                 | EA   |
| 28       | 1   | GEAR                    | EA   |
| 29       | 1   | BEARING                 | EA   |
| 30       | 1   | GEAR                    | EA   |
| 31       | 1   | BEARING                 | EA   |
| 32       | 1   | GEAR                    | EA   |
| 33       | 1   | BEARING                 | EA   |
| 34       | 1   | GEAR                    | EA   |
| 35       | 1   | BEARING                 | EA   |
| 36       | 1   | GEAR                    | EA   |
| 37       | 1   | BEARING                 | EA   |
| 38       | 1   | GEAR                    | EA   |
| 39       | 1   | BEARING                 | EA   |
| 40       | 1   | GEAR                    | EA   |
| 41       | 1   | BEARING                 | EA   |
| 42       | 1   | GEAR                    | EA   |
| 43       | 1   | BEARING                 | EA   |
| 44       | 1   | GEAR                    | EA   |
| 45       | 1   | BEARING                 | EA   |
| 46       | 1   | GEAR                    | EA   |
| 47       | 1   | BEARING                 | EA   |
| 48       | 1   | GEAR                    | EA   |
| 49       | 1   | BEARING                 | EA   |
| 50       | 1   | GEAR                    | EA   |
| 51       | 1   | BEARING                 | EA   |
| 52       | 1   | GEAR                    | EA   |
| 53       | 1   | BEARING                 | EA   |
| 54       | 1   | GEAR                    | EA   |
| 55       | 1   | BEARING                 | EA   |
| 56       | 1   | GEAR                    | EA   |
| 57       | 1   | BEARING                 | EA   |
| 58       | 1   | GEAR                    | EA   |
| 59       | 1   | BEARING                 | EA   |
| 60       | 1   | GEAR                    | EA   |
| 61       | 1   | BEARING                 | EA   |
| 62       | 1   | GEAR                    | EA   |
| 63       | 1   | BEARING                 | EA   |
| 64       | 1   | GEAR                    | EA   |
| 65       | 1   | BEARING                 | EA   |
| 66       | 1   | GEAR                    | EA   |
| 67       | 1   | BEARING                 | EA   |
| 68       | 1   | GEAR                    | EA   |
| 69       | 1   | BEARING                 | EA   |
| 70       | 1   | GEAR                    | EA   |
| 71       | 1   | BEARING                 | EA   |
| 72       | 1   | GEAR                    | EA   |
| 73       | 1   | BEARING                 | EA   |
| 74       | 1   | GEAR                    | EA   |
| 75       | 1   | BEARING                 | EA   |
| 76       | 1   | GEAR                    | EA   |
| 77       | 1   | BEARING                 | EA   |
| 78       | 1   | GEAR                    | EA   |
| 79       | 1   | BEARING                 | EA   |
| 80       | 1   | GEAR                    | EA   |
| 81       | 1   | BEARING                 | EA   |
| 82       | 1   | GEAR                    | EA   |
| 83       | 1   | BEARING                 | EA   |
| 84       | 1   | GEAR                    | EA   |
| 85       | 1   | BEARING                 | EA   |
| 86       | 1   | GEAR                    | EA   |
| 87       | 1   | BEARING                 | EA   |
| 88       | 1   | GEAR                    | EA   |
| 89       | 1   | BEARING                 | EA   |
| 90       | 1   | GEAR                    | EA   |
| 91       | 1   | BEARING                 | EA   |
| 92       | 1   | GEAR                    | EA   |
| 93       | 1   | BEARING                 | EA   |
| 94       | 1   | GEAR                    | EA   |
| 95       | 1   | BEARING                 | EA   |
| 96       | 1   | GEAR                    | EA   |
| 97       | 1   | BEARING                 | EA   |
| 98       | 1   | GEAR                    | EA   |
| 99       | 1   | BEARING                 | EA   |
| 100      | 1   | GEAR                    | EA   |

POST LOCK PULLER, INC.  
101935  
1 1/2



|              |        |          |          |
|--------------|--------|----------|----------|
| FORM NO. 101 | REV. 1 | DATE     | 10/19/96 |
| 1            | 1      | 10/19/96 | 10/19/96 |
| 2            | 2      | 10/19/96 | 10/19/96 |
| 3            | 3      | 10/19/96 | 10/19/96 |
| 4            | 4      | 10/19/96 | 10/19/96 |
| 5            | 5      | 10/19/96 | 10/19/96 |
| 6            | 6      | 10/19/96 | 10/19/96 |
| 7            | 7      | 10/19/96 | 10/19/96 |
| 8            | 8      | 10/19/96 | 10/19/96 |
| 9            | 9      | 10/19/96 | 10/19/96 |
| 10           | 10     | 10/19/96 | 10/19/96 |
| 11           | 11     | 10/19/96 | 10/19/96 |
| 12           | 12     | 10/19/96 | 10/19/96 |
| 13           | 13     | 10/19/96 | 10/19/96 |
| 14           | 14     | 10/19/96 | 10/19/96 |
| 15           | 15     | 10/19/96 | 10/19/96 |
| 16           | 16     | 10/19/96 | 10/19/96 |
| 17           | 17     | 10/19/96 | 10/19/96 |
| 18           | 18     | 10/19/96 | 10/19/96 |
| 19           | 19     | 10/19/96 | 10/19/96 |
| 20           | 20     | 10/19/96 | 10/19/96 |
| 21           | 21     | 10/19/96 | 10/19/96 |
| 22           | 22     | 10/19/96 | 10/19/96 |
| 23           | 23     | 10/19/96 | 10/19/96 |
| 24           | 24     | 10/19/96 | 10/19/96 |
| 25           | 25     | 10/19/96 | 10/19/96 |
| 26           | 26     | 10/19/96 | 10/19/96 |
| 27           | 27     | 10/19/96 | 10/19/96 |
| 28           | 28     | 10/19/96 | 10/19/96 |
| 29           | 29     | 10/19/96 | 10/19/96 |
| 30           | 30     | 10/19/96 | 10/19/96 |
| 31           | 31     | 10/19/96 | 10/19/96 |
| 32           | 32     | 10/19/96 | 10/19/96 |
| 33           | 33     | 10/19/96 | 10/19/96 |
| 34           | 34     | 10/19/96 | 10/19/96 |
| 35           | 35     | 10/19/96 | 10/19/96 |
| 36           | 36     | 10/19/96 | 10/19/96 |
| 37           | 37     | 10/19/96 | 10/19/96 |
| 38           | 38     | 10/19/96 | 10/19/96 |
| 39           | 39     | 10/19/96 | 10/19/96 |
| 40           | 40     | 10/19/96 | 10/19/96 |
| 41           | 41     | 10/19/96 | 10/19/96 |
| 42           | 42     | 10/19/96 | 10/19/96 |
| 43           | 43     | 10/19/96 | 10/19/96 |
| 44           | 44     | 10/19/96 | 10/19/96 |
| 45           | 45     | 10/19/96 | 10/19/96 |
| 46           | 46     | 10/19/96 | 10/19/96 |
| 47           | 47     | 10/19/96 | 10/19/96 |
| 48           | 48     | 10/19/96 | 10/19/96 |
| 49           | 49     | 10/19/96 | 10/19/96 |
| 50           | 50     | 10/19/96 | 10/19/96 |
| 51           | 51     | 10/19/96 | 10/19/96 |
| 52           | 52     | 10/19/96 | 10/19/96 |
| 53           | 53     | 10/19/96 | 10/19/96 |
| 54           | 54     | 10/19/96 | 10/19/96 |
| 55           | 55     | 10/19/96 | 10/19/96 |
| 56           | 56     | 10/19/96 | 10/19/96 |
| 57           | 57     | 10/19/96 | 10/19/96 |
| 58           | 58     | 10/19/96 | 10/19/96 |
| 59           | 59     | 10/19/96 | 10/19/96 |
| 60           | 60     | 10/19/96 | 10/19/96 |
| 61           | 61     | 10/19/96 | 10/19/96 |
| 62           | 62     | 10/19/96 | 10/19/96 |
| 63           | 63     | 10/19/96 | 10/19/96 |
| 64           | 64     | 10/19/96 | 10/19/96 |
| 65           | 65     | 10/19/96 | 10/19/96 |
| 66           | 66     | 10/19/96 | 10/19/96 |
| 67           | 67     | 10/19/96 | 10/19/96 |
| 68           | 68     | 10/19/96 | 10/19/96 |
| 69           | 69     | 10/19/96 | 10/19/96 |
| 70           | 70     | 10/19/96 | 10/19/96 |
| 71           | 71     | 10/19/96 | 10/19/96 |
| 72           | 72     | 10/19/96 | 10/19/96 |
| 73           | 73     | 10/19/96 | 10/19/96 |
| 74           | 74     | 10/19/96 | 10/19/96 |
| 75           | 75     | 10/19/96 | 10/19/96 |
| 76           | 76     | 10/19/96 | 10/19/96 |
| 77           | 77     | 10/19/96 | 10/19/96 |
| 78           | 78     | 10/19/96 | 10/19/96 |
| 79           | 79     | 10/19/96 | 10/19/96 |
| 80           | 80     | 10/19/96 | 10/19/96 |
| 81           | 81     | 10/19/96 | 10/19/96 |
| 82           | 82     | 10/19/96 | 10/19/96 |
| 83           | 83     | 10/19/96 | 10/19/96 |
| 84           | 84     | 10/19/96 | 10/19/96 |
| 85           | 85     | 10/19/96 | 10/19/96 |
| 86           | 86     | 10/19/96 | 10/19/96 |
| 87           | 87     | 10/19/96 | 10/19/96 |
| 88           | 88     | 10/19/96 | 10/19/96 |
| 89           | 89     | 10/19/96 | 10/19/96 |
| 90           | 90     | 10/19/96 | 10/19/96 |
| 91           | 91     | 10/19/96 | 10/19/96 |
| 92           | 92     | 10/19/96 | 10/19/96 |
| 93           | 93     | 10/19/96 | 10/19/96 |
| 94           | 94     | 10/19/96 | 10/19/96 |
| 95           | 95     | 10/19/96 | 10/19/96 |
| 96           | 96     | 10/19/96 | 10/19/96 |
| 97           | 97     | 10/19/96 | 10/19/96 |
| 98           | 98     | 10/19/96 | 10/19/96 |
| 99           | 99     | 10/19/96 | 10/19/96 |
| 100          | 100    | 10/19/96 | 10/19/96 |