

# PHB-110/210 Long Jaws HYDRAULIC PULLER

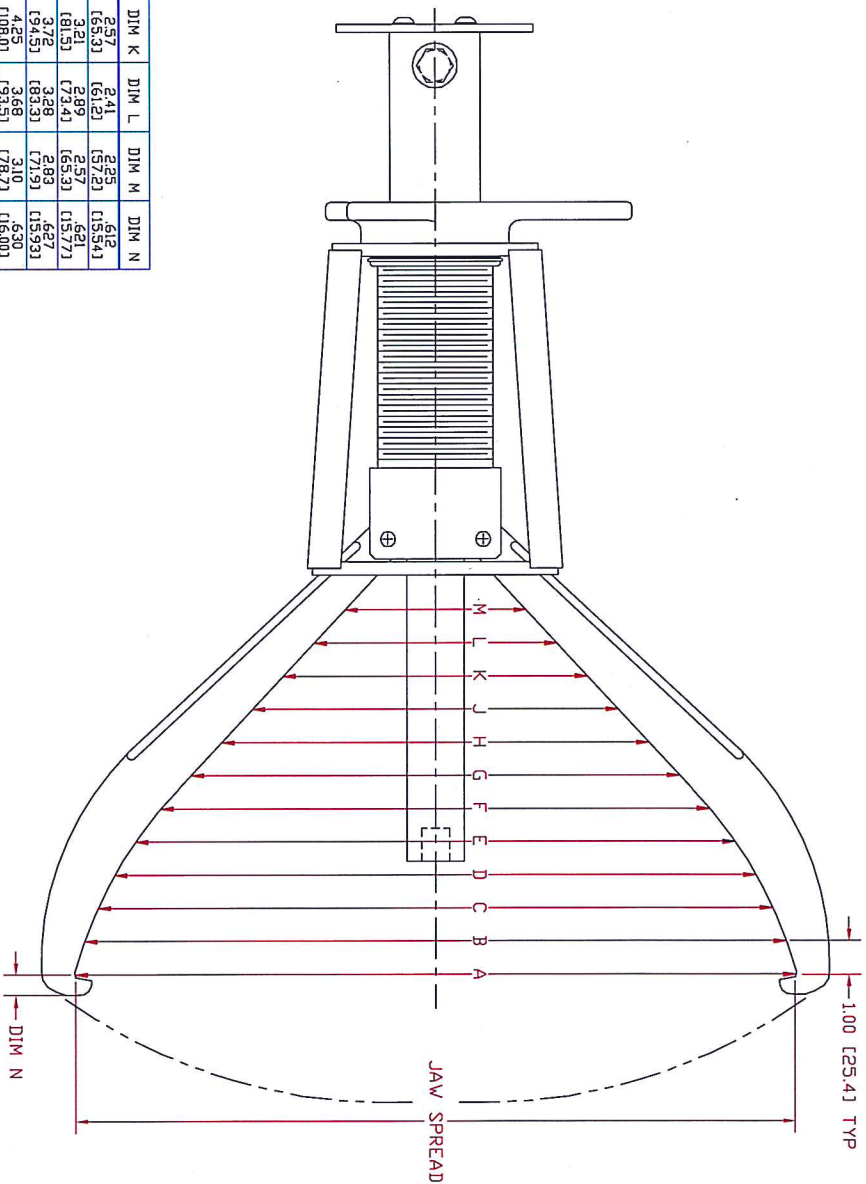
Page 1 of 3

POSI LOCK MODELS  
PHB110/PHB210 LONG JAWS  
GEAR AND BEARING PULLER

MODEL PHB110  
15 TON (13.7 METRIC TONS)  
3 LONG JAWS  
RAW STROKE 100 (254.0)  
REACH 15.75 (400.0)  
SPREAD 1.50 (38.1) TO 22.0 (558.8)  
WT. 61 Lbs.(27.7 kg)  
RATED FOR 10000 PSI

MODEL PHB210  
15 TON (13.7 METRIC TONS)  
2 LONG JAWS  
RAW STROKE 100 (254.0)  
REACH 15.75 (400.0)  
SPREAD 1.50 (38.1) TO 22.0 (558.8)  
WT. 55 Lbs.(24.9 kg)  
RATED FOR 10000 PSI

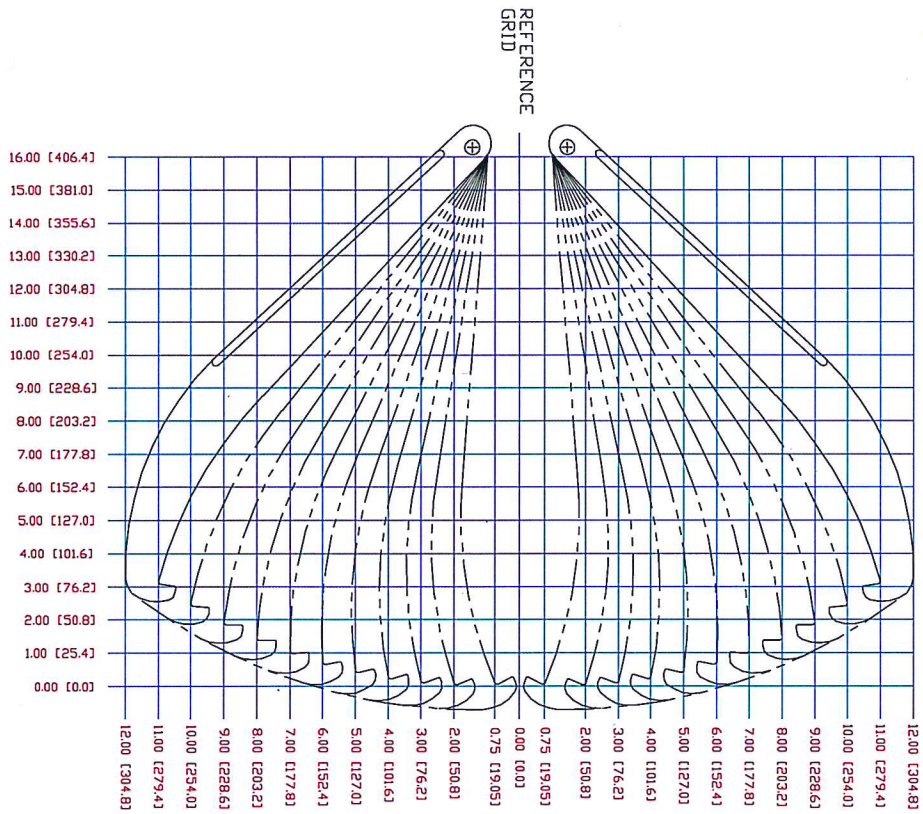
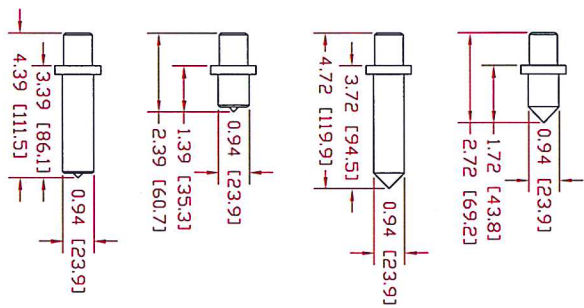
JAW SPREAD	DIM A	DIM B	DIM C	DIM D	DIM E	DIM F	DIM G	DIM H	DIM J	DIM K	DIM L	DIM M	DIM N
1.50 (38.1)	3.29 (83.6)	3.53 (89.7)	3.61 (91.7)	3.54 (89.9)	3.38 (85.9)	3.21 (81.5)	3.05 (77.5)	2.89 (73.4)	2.73 (69.3)	2.57 (65.3)	2.41 (61.2)	2.25 (57.2)	2.10 (53.3)
4.00 (101.6)	5.30 (134.6)	5.39 (136.9)	5.33 (135.4)	5.11 (129.8)	4.79 (121.7)	4.48 (113.8)	4.16 (105.7)	3.84 (97.5)	3.53 (89.7)	3.21 (81.5)	2.89 (73.4)	2.57 (65.3)	2.32 (58.8)
6.00 (152.4)	6.91 (175.5)	6.89 (175.0)	6.72 (170.7)	6.39 (162.3)	5.95 (151.1)	5.50 (139.7)	5.06 (128.5)	4.61 (117.1)	4.17 (105.9)	3.72 (94.5)	3.28 (83.3)	2.93 (74.5)	2.67 (67.8)
8.00 (203.2)	8.54 (216.9)	8.42 (213.9)	8.15 (207.0)	7.71 (195.8)	7.14 (181.4)	6.56 (166.6)	5.99 (152.1)	5.41 (137.4)	4.83 (122.7)	4.25 (108.0)	3.68 (93.5)	3.10 (78.7)	2.67 (67.8)
10.0 (254.0)	10.20 (259.1)	9.99 (253.7)	9.62 (244.3)	9.08 (230.6)	8.39 (213.1)	7.67 (194.8)	6.95 (176.5)	6.24 (158.5)	5.52 (140.2)	4.81 (122.2)	4.09 (103.9)	3.37 (85.6)	2.83 (71.9)
12.0 (304.8)	11.92 (302.8)	11.62 (295.1)	11.15 (283.2)	10.52 (267.2)	9.70 (246.4)	8.84 (224.5)	7.98 (202.7)	7.11 (180.6)	6.25 (158.8)	5.39 (136.9)	4.52 (114.8)	3.66 (93.0)	3.06 (77.7)
14.0 (356.6)	13.71 (348.0)	13.32 (338.3)	12.77 (324.4)	12.04 (305.8)	11.12 (282.4)	10.09 (256.3)	9.07 (230.4)	8.05 (204.5)	7.03 (178.6)	6.01 (152.7)	4.99 (126.7)	3.96 (100.6)	3.29 (83.8)
16.0 (406.4)	15.58 (395.7)	15.12 (384.0)	14.49 (368.0)	13.68 (347.5)	12.65 (324.0)	11.46 (291.1)	10.27 (260.5)	9.07 (230.4)	7.88 (200.2)	6.68 (169.7)	5.49 (139.4)	4.29 (109.0)	3.56 (90.5)
18.0 (457.2)	17.57 (446.3)	17.05 (433.1)	16.34 (415.0)	15.44 (392.2)	14.33 (364.0)	12.99 (329.5)	11.60 (294.6)	10.21 (260.4)	8.82 (224.0)	7.43 (188.7)	6.04 (153.4)	4.55 (115.6)	3.74 (95.1)
20.0 (508.0)	19.70 (500.4)	19.11 (485.4)	18.35 (466.1)	17.39 (441.5)	16.19 (411.2)	14.73 (374.1)	13.11 (333.0)	11.50 (292.1)	9.89 (251.2)	8.28 (210.3)	6.67 (169.4)	5.06 (128.5)	4.01 (101.6)
22.0 (558.8)	22.00 (558.8)	21.37 (542.8)	20.55 (522.0)	19.53 (496.1)	18.27 (464.1)	16.72 (424.7)	14.89 (378.2)	13.02 (330.7)	11.15 (283.2)	9.27 (235.5)	7.40 (188.0)	5.53 (140.5)	4.23 (107.6)



# PHB-110/210 Long Jaws HYDRAULIC PULLER

Page 2 of 3

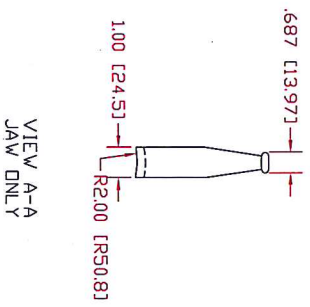
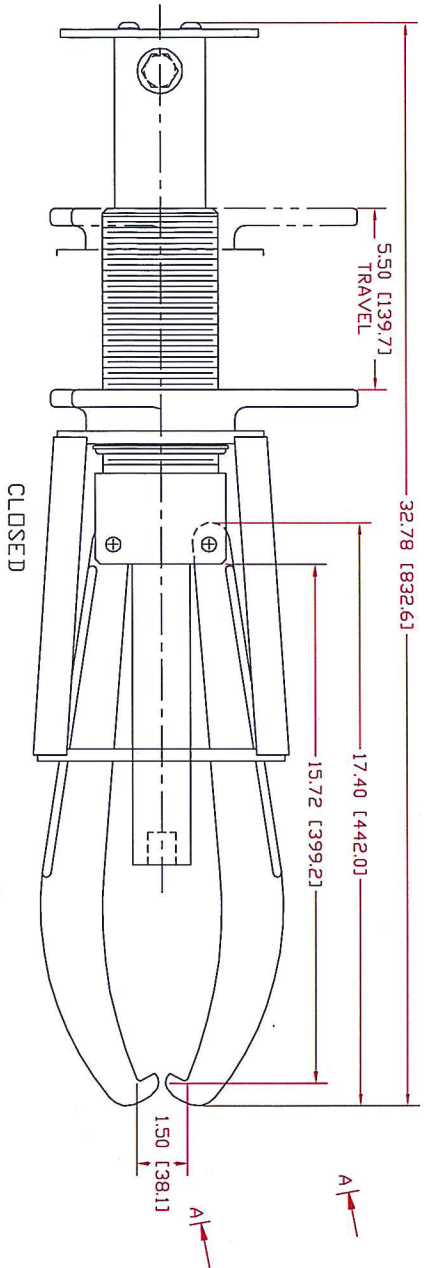
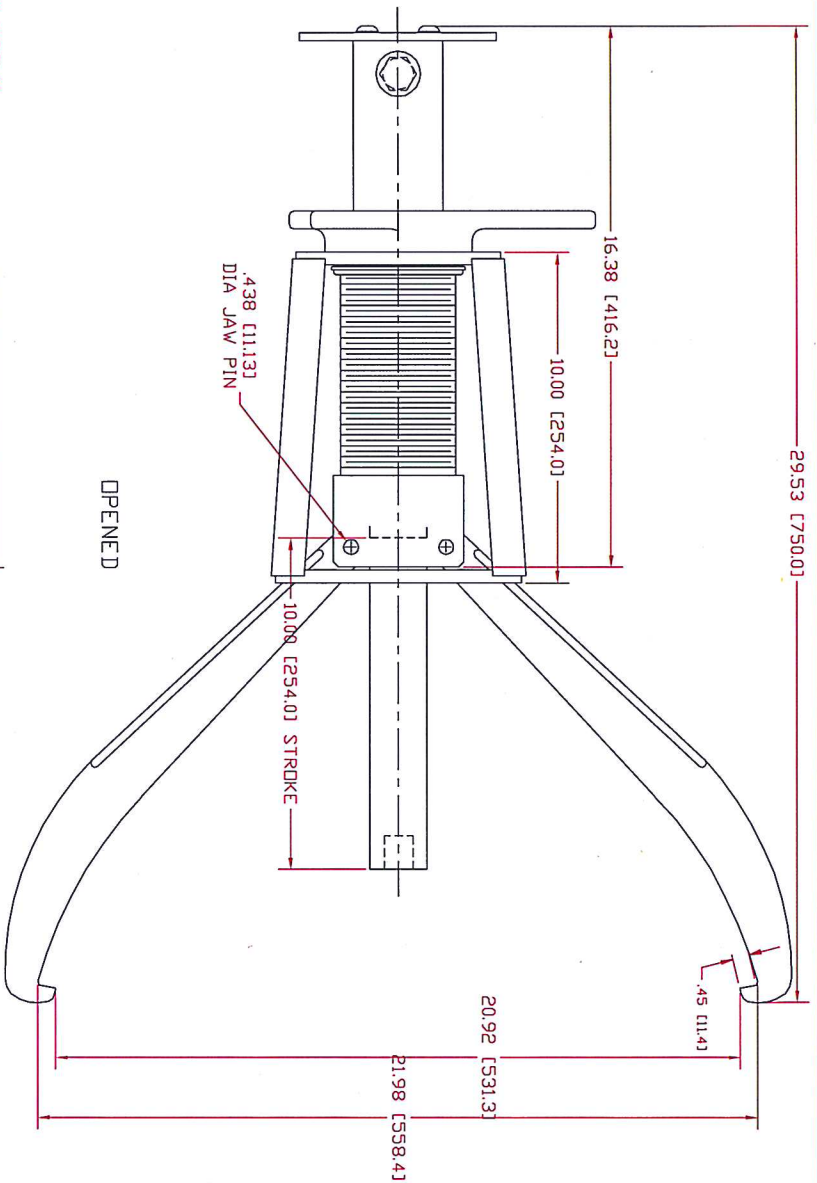
RAM POINT SET



# PHB-110/210 Long Jaws

## HYDRAULIC PULLER

Page 3 of 3

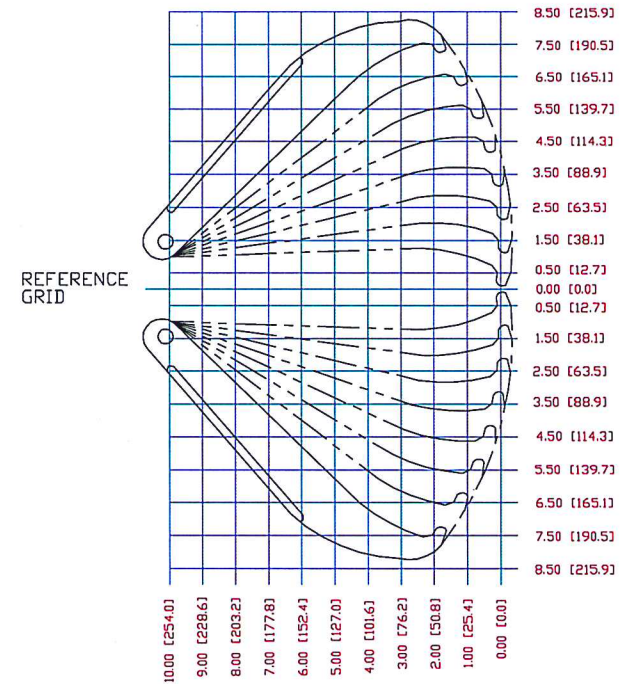
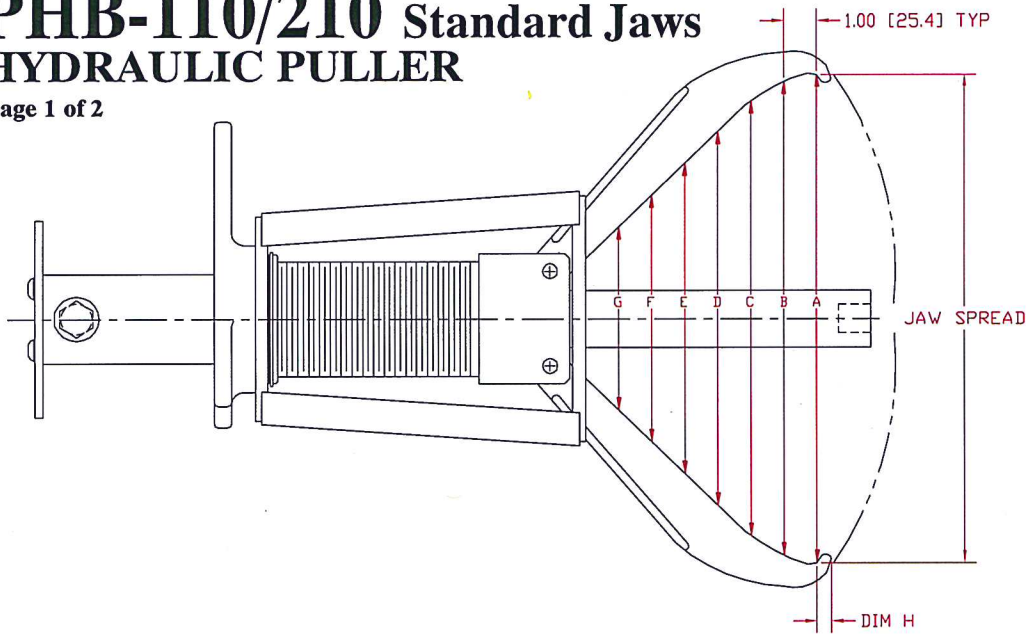




# PHB-110/210 Standard Jaws

## HYDRAULIC PULLER

Page 1 of 2



JAW SPREAD	DIM A	DIM B	DIM C	DIM D	DIM E	DIM F	DIM G	DIM H
1.00 [25.4]	2.46 [62.5]	2.45 [62.2]	2.38 [60.5]	2.31 [58.7]	2.24 [56.9]	2.17 [55.1]	2.10 [53.3]	2.43 [61.7]
3.00 [76.2]	4.06 [103.1]	3.95 [97.8]	3.58 [90.9]	3.31 [84.1]	3.04 [77.2]	2.77 [70.4]	2.50 [63.5]	2.80 [71.1]
5.00 [127.0]	5.66 [143.8]	5.29 [134.4]	4.81 [122.2]	4.33 [110.0]	3.85 [97.8]	3.38 [85.9]	2.90 [73.7]	3.15 [80.0]
7.00 [177.8]	7.32 [185.9]	6.80 [172.7]	6.10 [154.9]	5.40 [137.2]	4.71 [119.6]	4.00 [101.6]	3.31 [84.1]	3.47 [88.1]
9.00 [228.6]	9.07 [230.4]	8.44 [214.4]	7.51 [190.8]	6.57 [166.9]	5.63 [143.0]	4.69 [119.1]	3.76 [95.5]	3.76 [95.5]
11.0 [279.4]	10.95 [278.1]	10.26 [260.6]	9.10 [231.1]	7.89 [200.4]	6.67 [169.4]	5.46 [138.7]	4.25 [108.0]	4.01 [101.9]
13.0 [330.2]	12.99 [329.9]	12.27 [311.7]	10.99 [279.1]	9.45 [240.0]	7.91 [200.9]	6.37 [161.8]	4.83 [122.7]	4.24 [107.7]
15.0 [381.0]	15.00 [381.0]	14.54 [369.3]	13.33 [338.6]	11.44 [290.6]	9.48 [240.8]	7.51 [190.8]	5.55 [141.0]	4.41 [112.0]

### POSI LOCK MODELS PHB110\PHB210 GEAR AND BEARING PULLER

MODEL PHB110	MODEL PHB210
15 TON [13.7 METRIC TONS]	15 TON [13.7 METRIC TONS]
3 JAW - STANDARD	2 JAW - STANDARD
RAM STROKE 10.0 [254.0]	RAM STROKE 10.0 [254.0]
REACH 9.75 [247.7]	REACH 9.75 [247.7]
SPREAD 1.0 [25.4] TO 15.0 [381.0]	SPREAD 1.0 [25.4] TO 15.0 [381.0]
WT. 52 Lbs.[23 kg]	WT. 49 Lbs.[22 kg]
RATED FOR 10000 PSI	RATED FOR 10000 PSI

# PHB-110/210 Standard Jaws

## HYDRAULIC PULLER

Page 2 of 2

### RAM POINT SET

