

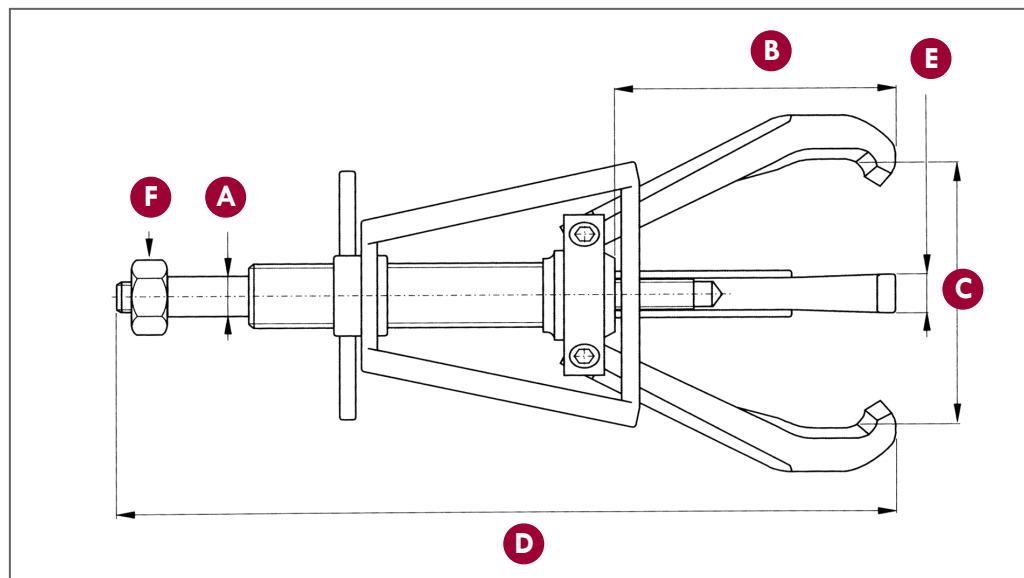
Posi Lock Puller Identification Sheet

Below are specific dimensions that are necessary to determine Posi Lock puller sizes:

- A** Center Bolt Diameter
- B** Reach
- C** Spread Range
- D** Overall Length
- E** Jaw Width
- F** Hex Socket Size

If your Posi Lock label is missing, you can use the additional information to determine your puller model number.

** All measurements are in INCHES!*



Model #	Length	Center Bolt Diameter	Nut	Jaw Length	Jaw Width	Cage Height	Cage Top	Cage Bottom	Jaw Head Length	Jaw Head Width	T-Handle Length	T-Handle Width
102/202	5 1/2	5/16	-	2 5/8	-	-	-	-	-	-	-	-
103/203	7	3/8	-	3 5/8	-	2 3/4	-	-	-	-	-	-
104/204	10 1/8	1/2	3/4	5	5/8	4 1/4	3	4	4 1/2	2 1/4	5	1 1/2
106/206	13	5/8	3/4	7 1/4	1	5	3 1/4	5 3/4	5 1/2	2 1/2	6 1/2	1 3/4
108/208	16 1/2	3/4	1	9 1/2	7/8	6 1/2	3 7/8	6 7/8	6 1/2	3	7 3/4	1 3/4
110/210	19 1/2	3/4	1	11	1 3/4	8	4	7	8 1/4	3	8	1 3/4
113/213	26 1/4	1 1/8	1 1/4	14	2	10 1/2	6 1/2	11 1/2	11 1/2	5	10	2 3/4
116/216	31 3/4	1 1/4	1 1/4	16 3/4	2 1/2	13 1/2	7 3/4	12 3/4	12 3/4	6	12	3 1/4

For more information on how to determine puller size or questions on dimensions contact a Posi Lock Sales Executive at: 1-701-797-2600.

Model #	Long Jaw Length
110/210	18
113/213	21
116/216	28
*Measurement have been rounded UP!	

Model #	Inside Diameter
HP-30	1 1/4 - 1/12
HP-40	1 3/4 - 2
HP-50	2 1/2 - 3

Model #	Thread Count
104/204	16 rolled threads per INCH
103/203	24 threads per INCH