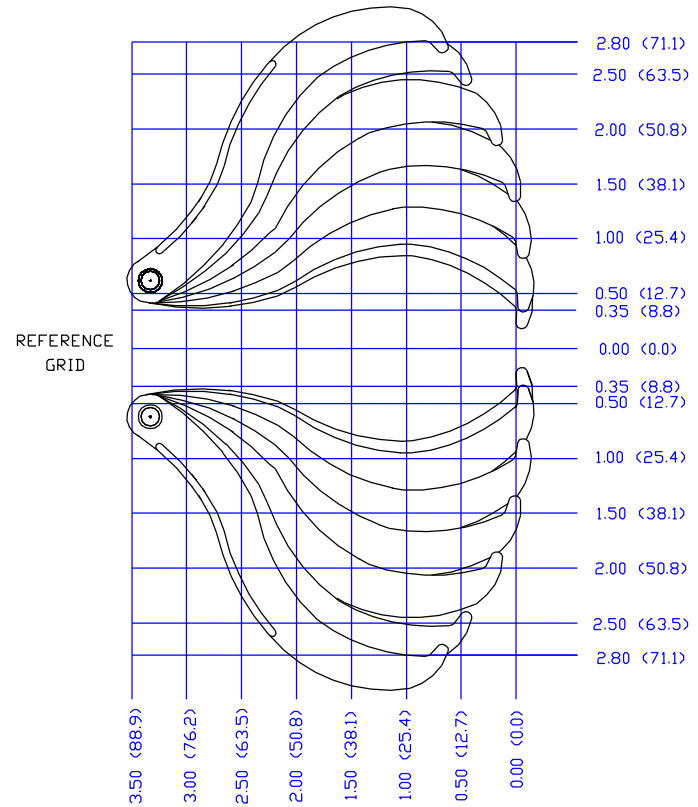
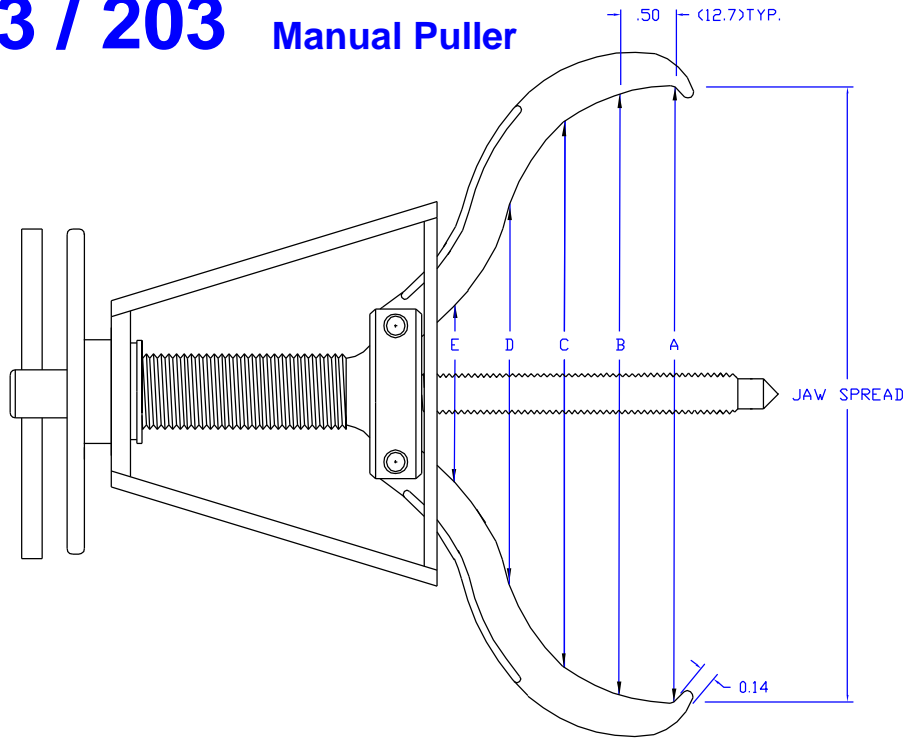


103 / 203 Manual Puller



JAW SPREAD	DIM A	DIM B	DIM C	DIM D	DIM E
.70 (17.7)	.70 (17.7)	1.42 (36.0)	1.68 (42.6)	1.55 (39.3)	1.12 (28.4)
1.00 (25.4)	1.00 (25.4)	1.67 (42.4)	1.90 (48.2)	1.73 (43.9)	1.24 (31.4)
2.00 (50.8)	2.00 (50.8)	2.45 (62.2)	2.58 (65.5)	2.30 (58.4)	1.62 (41.1)
3.00 (76.2)	3.00 (76.2)	3.29 (83.5)	3.28 (83.3)	2.85 (72.3)	1.92 (48.7)
4.00 (101.6)	4.00 (101.6)	4.12 (104.6)	3.96 (100.5)	3.32 (84.3)	2.00 (50.8)
5.00 (127.0)	5.00 (127.0)	5.00 (127.0)	4.62 (117.3)	3.62 (91.9)	1.89 (48.0)
5.60 (142.2)	5.60 (142.2)	5.46 (138.6)	4.96 (125.9)	3.47 (88.1)	1.62 (41.1)

POSI LOCK MODELS 103/203 GEAR AND BEARING PULLER

MODEL 103
 2 TON (METRIC TONS)
 3 JAW
 REACH 3.00 (76.2)
 SPREAD 0.25 (6.35) TO 4.50 (114.3)
 WEIGHT 1.3 LBS. (.59KG)

MODEL 203
 2 TON (METRIC TONS)
 2 JAW
 REACH 3.00 (76.2)
 SPREAD 0.25 (6.35) TO 4.50 (114.3)
 WEIGHT 1.12 LBS. (.51KG)

103 / 203 Manual Puller

