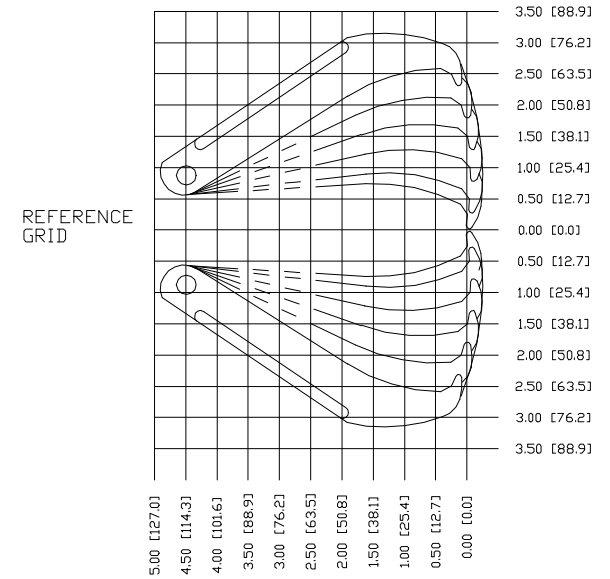
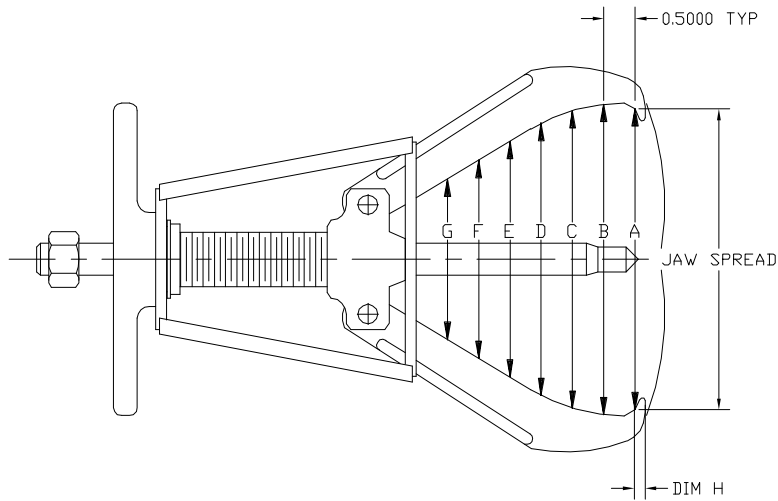


104 / 204 Manual Puller



| JAW SPREAD | DIM A | DIM B | DIM C | DIM D | DIM E | DIM F | DIM G | DIM H |
|--------------|-----------------|-----------------|------------------------|-----------------|----------------|-----------------------|----------------|-----------------|
| 0.50 [12.7] | 0.97 [24.6] | 1.32 [33.5] | 1.47 [37.3] | 1.46 [37.1] | 1.40 [35.6] | 1.34 [34.0] | 1.29 [32.8] | 0.077 [1.96] |
| 1.00 [25.4] | 1.46 [37.1] | 1.74 [44.2] | 1.83 [46.5] | 1.77 [45.0] | 1.65 [41.9] | 1.54 [39.1] | 1.42 [36.1] | 0.088 [2.24] |
| 2.00 [50.8] | 2.38 [60.5] | 2.56 [65.0] | 2.55 [64.8] | 2.38 [60.5] | 2.15 [54.6] | 1.92 [48.8] | 1.69 [42.9] | 0.109 [2.77] |
| 3.00 [79.2] | 3.30 [83.8] | 3.38 [85.9] | 3.29 [83.6] | 3.01 [76.5] | 2.66 [67.6] | 2.32 [58.9] | 1.97 [50.0] | 0.129 [3.28] |
| 4.00 [101.6] | 4.22 [107.2] | 4.23 [107.4] | 4.06 [103.1] | 3.70 [94.0] | 2.66 [67.6] | 2.32 [58.9] | 1.97 [50.0] | 0.129 [3.3] |
| 5.00 [127.0] | 5.00 [127.0] | 5.13 [130.3] | 4.90 [124.5] | 4.47 [113.5] | 3.85 [97.8] | 3.22 [81.8] | 2.59 [65.8] | 0.165 [4.2] |

POSI LOCK MODELS 104\204 GEAR AND BEARING PULLER

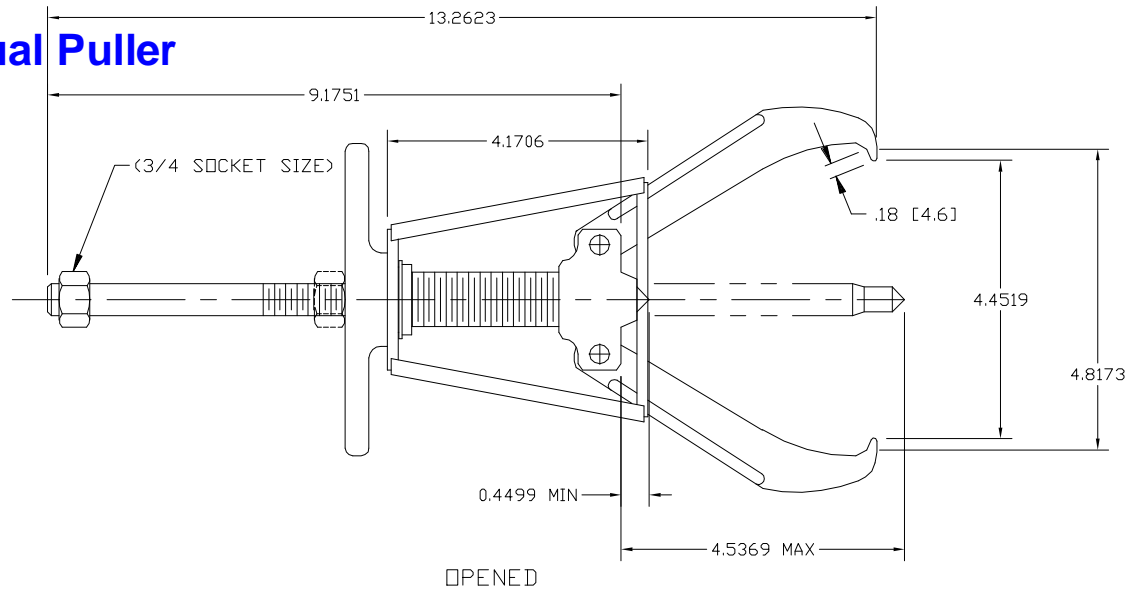
MODEL 104

5 TON [4.5 METRIC TONS]
3 JAW
REACH 4.0 [101.6]
SPREAD .50 [12.7] TO 5.0 [127.0]
WT. 4 Lbs.[1.8 kg]
MAXIMUM TORQUE
40 FOOT POUNDS [54 N·m]

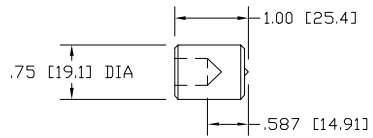
MODEL 204

2 TON [1.8 METRIC TONS]
2 JAW
REACH 4.0 [101.6]
SPREAD .50 [12.7] TO 5.0 [127.0]
WT. 3 Lbs.[1.4 kg]
MAXIMUM TORQUE
20 FOOT POUNDS [27 N·m]

104 / 204 Manual Puller



SHAFT PROTECTOR



OPTIONAL SHAFT EXTENSION
INCREASES CENTER BOLT
LENGTH BY 1.5"

