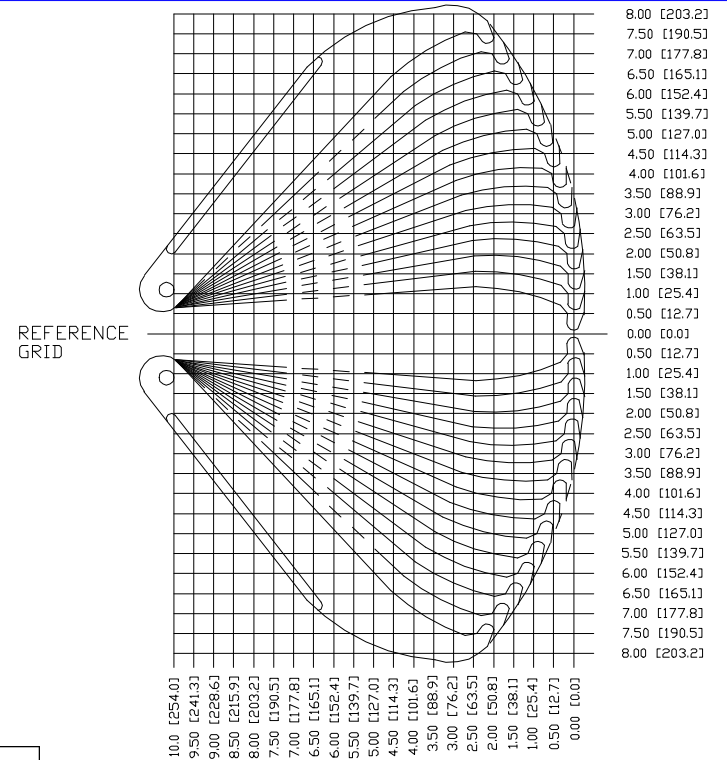
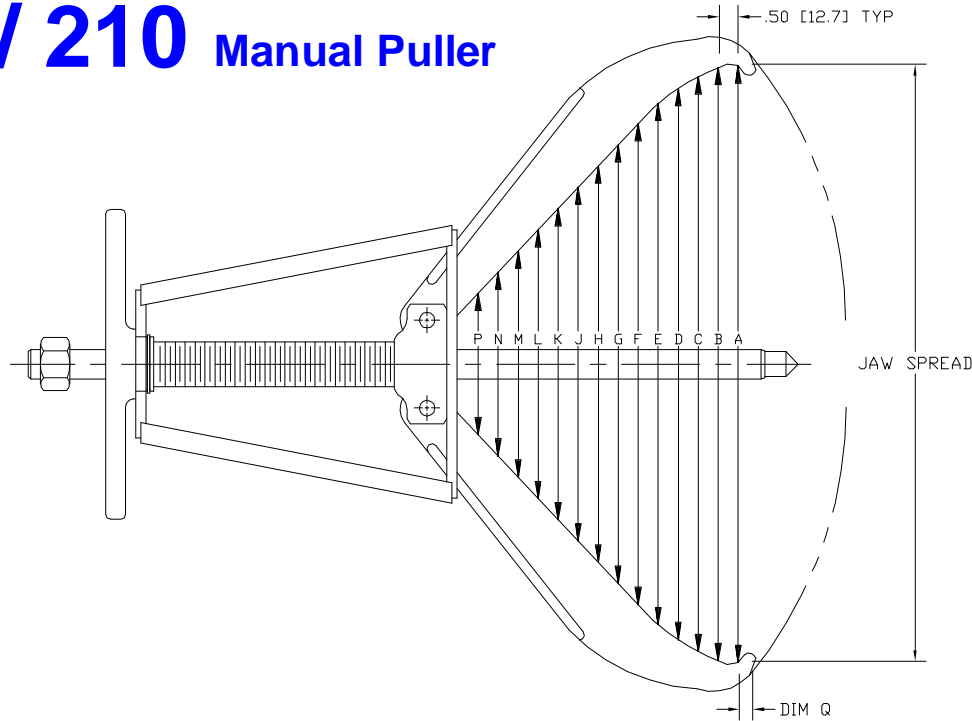


# 110 / 210 Manual Puller



JAW SPREAD	DIM A	DIM B	DIM C	DIM D	DIM E	DIM F	DIM G	DIM H	DIM J	DIM K	DIM L	DIM M	DIM N	DIM P	DIM Q
1.00 [25.4]	2.34 [59.4]	2.27 [57.7]	<b>2.20 [55.9]</b>	2.13 [54.1]	2.06 [52.3]	<b>1.99 [50.5]</b>	1.92 [48.8]	1.85 [47.0]	<b>1.78 [45.2]</b>	1.71 [43.4]	1.64 [41.7]	<b>1.57 [39.9]</b>	1.50 [38.1]	1.43 [36.3]	<b>0.256 [6.50]</b>
2.00 [50.8]	3.11 [79.0]	3.00 [76.2]	<b>2.87 [72.9]</b>	2.75 [69.9]	2.63 [66.8]	<b>2.51 [63.8]</b>	2.39 [60.7]	2.27 [57.7]	<b>2.15 [54.6]</b>	2.03 [51.6]	1.91 [48.5]	<b>1.79 [45.5]</b>	1.67 [42.4]	1.55 [39.4]	<b>0.275 [6.99]</b>
3.00 [76.2]	3.89 [98.8]	3.73 [94.7]	<b>3.55 [90.2]</b>	3.38 [85.9]	3.21 [81.5]	<b>3.04 [77.2]</b>	2.87 [72.9]	2.70 [68.6]	<b>2.53 [64.3]</b>	2.35 [59.7]	2.18 [55.4]	<b>2.01 [51.1]</b>	1.84 [46.7]	1.67 [42.4]	<b>0.292 [7.42]</b>
4.00 [101.6]	4.67 [118.6]	4.47 [113.5]	<b>4.24 [107.7]</b>	4.02 [102.1]	3.80 [96.5]	<b>3.57 [90.7]</b>	3.35 [85.1]	3.13 [79.5]	<b>2.90 [73.7]</b>	2.68 [68.1]	2.46 [62.5]	<b>2.24 [56.9]</b>	2.01 [51.1]	1.79 [45.5]	<b>0.310 [7.87]</b>
5.00 [127.0]	5.47 [138.9]	5.23 [132.8]	<b>4.95 [125.7]</b>	4.67 [118.6]	4.40 [111.8]	<b>4.12 [104.6]</b>	3.84 [97.5]	3.57 [90.7]	<b>3.29 [83.6]</b>	3.02 [76.7]	2.74 [69.6]	<b>2.46 [62.5]</b>	2.19 [55.6]	1.91 [48.5]	<b>0.326 [8.28]</b>
6.00 [152.4]	6.28 [159.5]	6.01 [152.7]	<b>5.68 [144.3]</b>	5.35 [139.9]	5.02 [127.5]	<b>4.68 [118.9]</b>	4.35 [110.5]	4.02 [102.1]	<b>3.69 [93.7]</b>	3.36 [85.3]	3.03 [77.0]	<b>2.69 [68.3]</b>	2.36 [59.9]	2.03 [51.6]	<b>0.342 [8.69]</b>
7.00 [177.8]	7.12 [180.8]	6.83 [173.5]	<b>6.44 [163.6]</b>	6.05 [153.7]	5.66 [143.8]	<b>5.27 [133.9]</b>	4.88 [124.0]	4.49 [114.0]	<b>4.10 [104.1]</b>	3.71 [94.2]	3.32 [84.3]	<b>2.94 [74.7]</b>	2.55 [64.8]	2.16 [54.9]	<b>0.357 [9.07]</b>
8.00 [203.2]	7.98 [202.7]	7.68 [195.1]	<b>7.23 [183.6]</b>	6.78 [172.2]	6.33 [160.8]	<b>5.88 [149.4]</b>	5.43 [137.9]	4.98 [126.5]	<b>4.53 [115.1]</b>	4.09 [103.9]	3.64 [92.5]	<b>3.19 [81.0]</b>	2.74 [69.6]	2.29 [58.2]	<b>0.371 [9.42]</b>
9.00 [228.6]	8.88 [225.6]	8.55 [217.2]	<b>8.08 [205.2]</b>	7.56 [192.0]	7.05 [179.1]	<b>6.54 [166.1]</b>	6.02 [152.9]	5.51 [140.0]	<b>4.99 [126.7]</b>	4.48 [113.8]	3.96 [100.6]	<b>3.45 [87.6]</b>	2.93 [74.4]	2.42 [61.5]	<b>0.385 [9.78]</b>
10.00 [254.0]	9.81 [249.2]	9.47 [240.5]	<b>8.99 [228.3]</b>	8.40 [213.4]	7.82 [198.6]	<b>7.23 [183.6]</b>	6.65 [168.9]	6.07 [154.2]	<b>5.48 [139.2]</b>	4.90 [124.5]	4.31 [109.5]	<b>3.73 [85.6]</b>	3.15 [80.0]	2.56 [65.0]	<b>0.398 [10.11]</b>
11.00 [279.4]	10.79 [274.1]	10.43 [264.9]	<b>9.96 [253.0]</b>	9.31 [236.5]	8.65 [219.7]	<b>7.99 [202.9]</b>	7.33 [186.2]	6.67 [169.4]	<b>6.01 [152.7]</b>	5.35 [139.5]	4.69 [119.1]	<b>4.03 [102.4]</b>	3.37 [85.6]	2.71 [68.8]	<b>0.410 [10.41]</b>
12.00 [304.8]	11.82 [300.2]	11.45 [290.8]	<b>10.97 [278.6]</b>	10.31 [261.9]	9.57 [243.1]	<b>8.82 [224.0]</b>	8.08 [205.2]	7.34 [186.4]	<b>6.59 [167.4]</b>	5.85 [148.6]	5.11 [129.8]	<b>4.36 [110.7]</b>	3.62 [91.9]	2.88 [73.2]	<b>0.420 [10.67]</b>
13.00 [330.2]	12.90 [327.7]	12.53 [318.3]	<b>12.05 [306.1]</b>	11.43 [290.3]	10.60 [269.2]	<b>9.76 [247.9]</b>	8.92 [226.6]	8.08 [205.2]	<b>7.24 [183.9]</b>	6.41 [162.8]	5.57 [141.5]	<b>4.73 [120.1]</b>	3.89 [98.8]	3.06 [77.7]	<b>0.430 [10.92]</b>
14.00 [355.6]	14.04 [356.6]	13.68 [347.5]	<b>13.20 [335.3]</b>	12.59 [319.8]	11.77 [299.0]	<b>10.82 [274.8]</b>	9.88 [251.0]	8.93 [226.8]	<b>7.99 [202.9]</b>	7.04 [178.8]	6.09 [154.7]	<b>5.15 [130.8]</b>	4.20 [106.7]	3.26 [82.8]	<b>0.439 [11.15]</b>
15.00 [381.0]	15.00 [381.0]	14.90 [378.5]	<b>14.44 [366.8]</b>	13.84 [351.5]	13.09 [332.5]	<b>12.07 [306.6]</b>	10.99 [279.1]	9.92 [252.0]	<b>8.85 [224.8]</b>	7.78 [197.6]	6.71 [170.4]	<b>5.63 [143.0]</b>	4.56 [115.8]	3.49 [88.6]	<b>0.446 [11.33]</b>

## POSI LOCK MODELS 110\210 GEAR AND BEARING PULLER

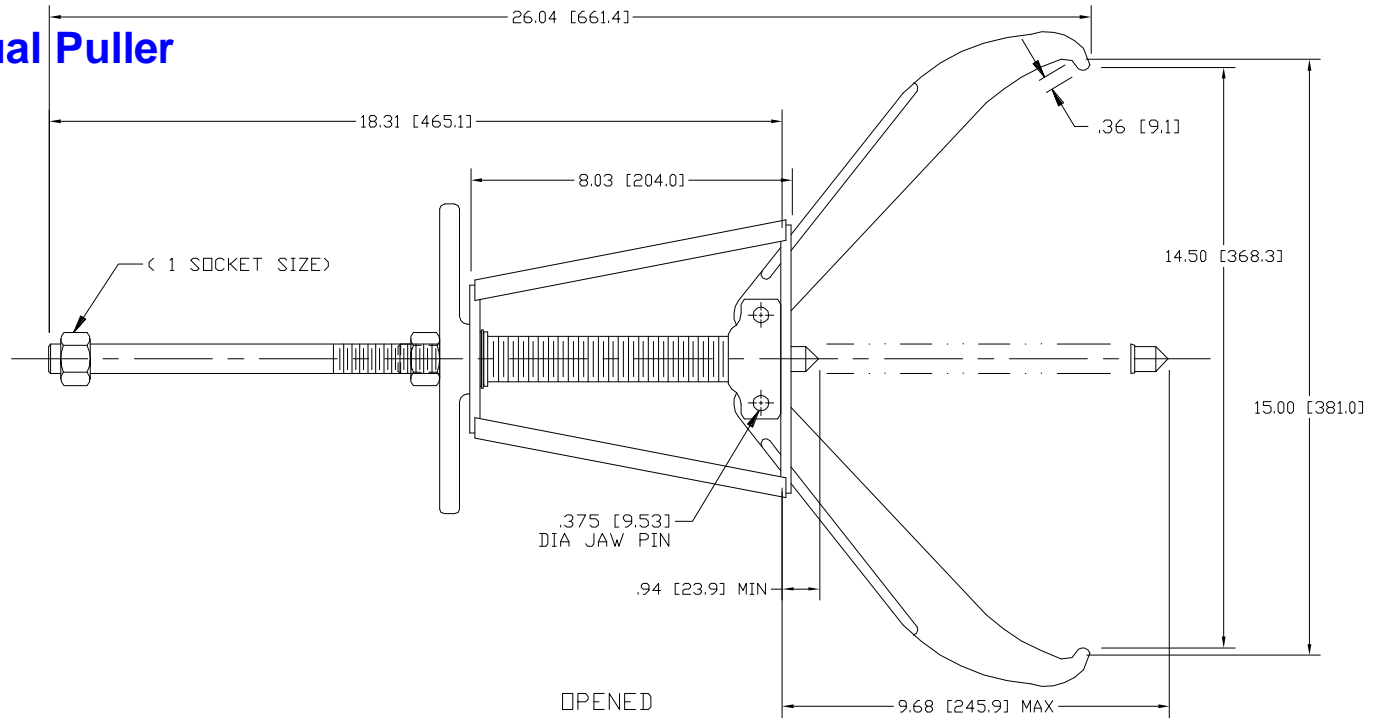
### MODEL 110

20 TON [18.2 METRIC TONS]  
3 JAW  
REACH 9.67 [245.6]  
SPREAD 1.0 [25.4] TO 15.0 [381.0]  
WT. 18 Lbs.[8.2 kg]  
MAXIMUM TORQUE  
275 FOOT POUNDS [373 N·m]

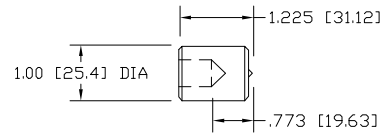
### MODEL 210

14 TON [12.7 METRIC TONS]  
2 JAW  
REACH 9.67 [245.6]  
SPREAD 1.0 [25.4] TO 15.0 [381.0]  
WT. 14 Lbs.[6.4 kg]  
MAXIMUM TORQUE  
175 FOOT POUNDS [237 N·m]

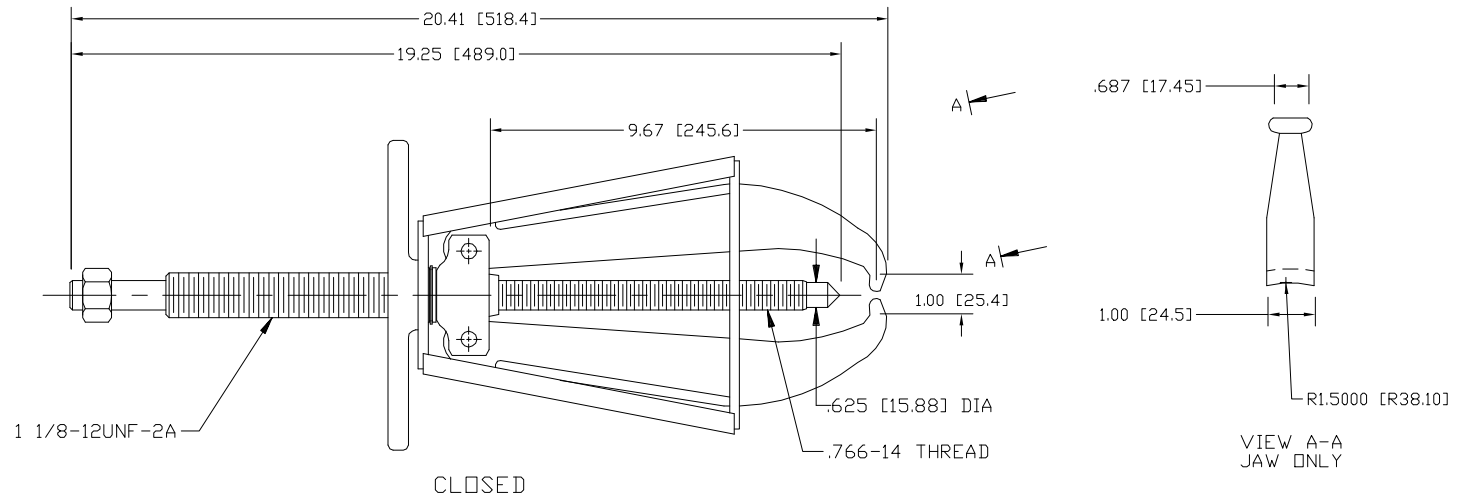
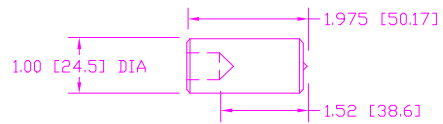
# 110 / 210 Manual Puller



SHAFT PROTECTOR



OPTIONAL SHAFT EXTENSION  
INCREASES CENTER BOLT  
LENGTH BY 1.5"



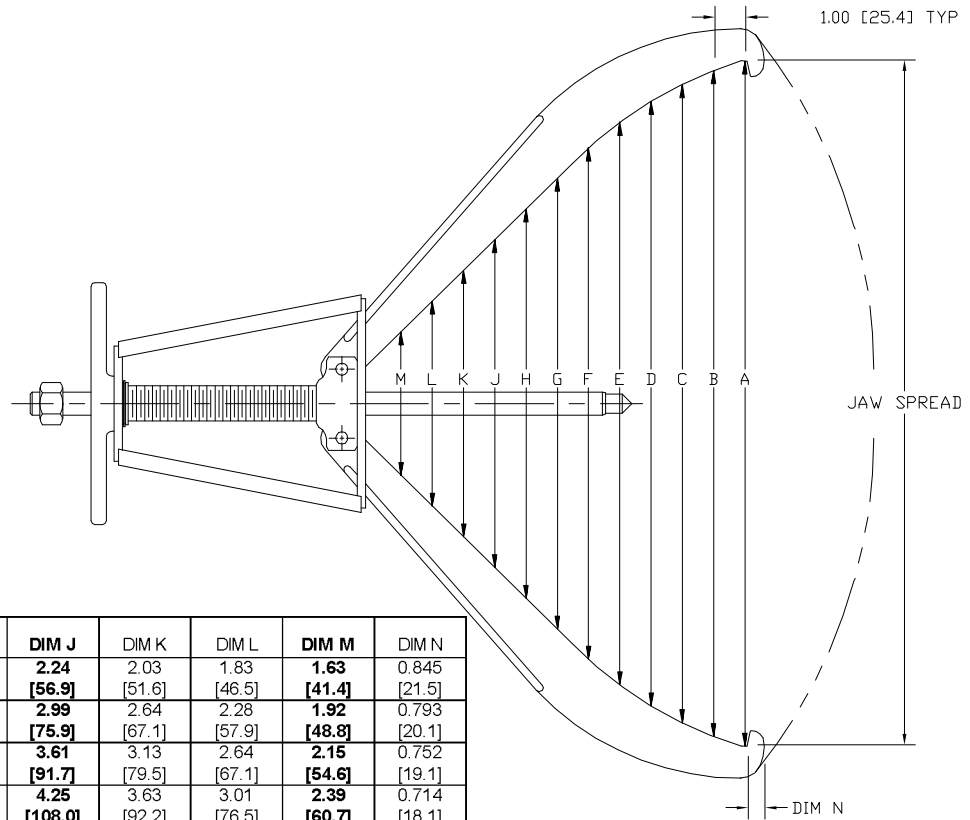
# 110 / 210 (Long Jaw)

## MODEL 110

20 TON [18.2 METRIC TONS]  
 3 JAW  
 REACH 15.78 [400.8]  
 SPREAD 1.50 [38.1] TO 22.0 [558.8]  
 WT. 25.5 Lbs.[11.6 kg]  
 MAXIMUM TORQUE  
 275 FOOT POUNDS [373 N·m]

## MODEL 210

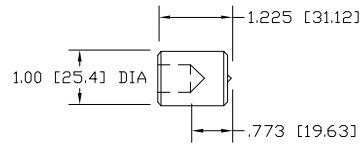
14 TON [12.7 METRIC TONS]  
 2 JAW  
 REACH 15.78 [400.8]  
 SPREAD 1.50 [38.1] TO 22.0 [558.8]  
 WT. 19 Lbs.[8.6 kg]  
 MAXIMUM TORQUE  
 175 FOOT POUNDS [237 N·m]



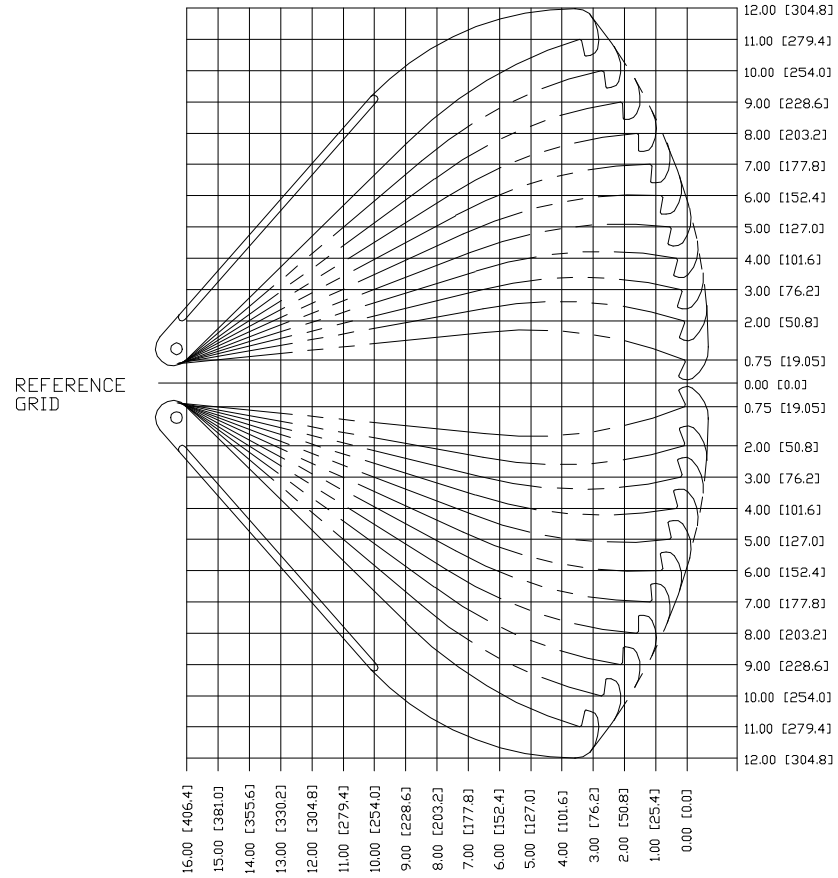
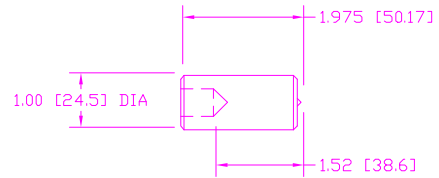
JAW SPREAD	DIM A	DIM B	DIM C	DIM D	DIM E	DIM F	DIM G	DIM H	DIM J	DIM K	DIM L	DIM M	DIM N
1.50 [38.1]	3.23 [82.0]	3.39 [86.1]	<b>3.39</b> [86.1]	3.24 [82.3]	3.04 [77.2]	<b>2.84</b> [72.1]	2.64 [67.1]	2.44 [62.0]	<b>2.24</b> [56.9]	2.03 [51.6]	1.83 [46.5]	<b>1.63</b> [41.4]	0.845 [21.5]
4.00 [101.6]	5.20 [132.1]	5.22 [132.6]	<b>5.08</b> [129.0]	4.79 [121.7]	4.43 [112.5]	<b>4.07</b> [103.4]	3.71 [94.2]	3.35 [85.1]	<b>2.99</b> [75.9]	2.64 [67.1]	2.28 [57.9]	<b>1.92</b> [48.8]	0.793 [20.1]
6.00 [152.4]	6.79 [172.5]	6.70 [170.2]	<b>6.46</b> [164.1]	6.05 [153.7]	5.56 [141.2]	<b>5.07</b> [128.8]	4.59 [116.6]	4.10 [104.1]	<b>3.61</b> [91.7]	3.13 [79.5]	2.64 [67.1]	<b>2.15</b> [54.6]	0.752 [19.1]
8.00 [203.2]	8.40 [213.4]	8.22 [208.8]	<b>7.87</b> [199.9]	7.36 [186.9]	6.74 [171.2]	<b>6.11</b> [155.2]	5.49 [139.4]	4.87 [123.7]	<b>4.25</b> [108.0]	3.63 [92.2]	3.01 [76.5]	<b>2.39</b> [60.7]	0.714 [18.1]
10.00 [254.0]	10.03 [254.8]	9.78 [248.4]	<b>9.34</b> [237.2]	8.72 [221.5]	7.97 [202.4]	<b>7.20</b> [182.9]	6.44 [163.6]	5.68 [144.3]	<b>4.92</b> [125.0]	4.16 [105.7]	3.40 [86.4]	<b>2.63</b> [66.8]	0.677 [17.2]
12.00 [304.8]	11.78 [299.2]	11.41 [289.8]	<b>10.87</b> [276.1]	10.16 [258.1]	9.28 [235.7]	<b>8.36</b> [212.3]	7.45 [189.2]	6.54 [166.1]	<b>5.63</b> [143.0]	4.72 [119.9]	3.80 [96.5]	<b>2.89</b> [73.4]	0.641 [16.3]
14.00 [355.6]	13.57 [344.7]	13.12 [333.2]	<b>12.50</b> [317.5]	11.85 [301.0]	10.69 [271.5]	<b>9.61</b> [244.1]	8.54 [216.9]	7.46 [189.5]	<b>6.39</b> [162.3]	5.31 [134.9]	4.24 [107.7]	<b>3.16</b> [80.3]	0.608 [15.4]
16.00 [406.4]	15.46 [392.7]	14.94 [379.5]	<b>14.24</b> [361.7]	13.35 [339.1]	12.24 [310.9]	<b>10.99</b> [279.1]	9.73 [247.1]	8.48 [215.4]	<b>7.22</b> [183.4]	5.97 [151.6]	4.72 [119.9]	<b>3.46</b> [87.9]	0.576 [14.6]
18.00 [457.2]	17.48 [444.0]	16.89 [429.0]	<b>16.12</b> [409.4]	12.15 [308.6]	13.95 [354.3]	<b>12.53</b> [318.3]	11.07 [281.2]	9.61 [244.1]	<b>8.16</b> [207.3]	6.70 [170.2]	5.24 [133.1]	<b>3.79</b> [96.3]	0.547 [13.9]
20.00 [508.0]	19.65 [499.1]	19.00 [482.6]	<b>18.17</b> [461.5]	17.13 [435.1]	15.86 [402.8]	<b>14.29</b> [363.0]	12.60 [320.0]	10.92 [277.4]	<b>9.23</b> [234.4]	7.54 [191.5]	5.85 [148.6]	<b>4.16</b> [105.7]	0.520 [13.2]
22.00 [558.8]	22.00 [558.8]	21.31 [541.3]	<b>20.43</b> [518.9]	19.67 [499.6]	18.00 [457.2]	<b>16.36</b> [415.5]	14.42 [366.3]	12.46 [316.5]	<b>10.49</b> [266.4]	8.53 [216.7]	6.56 [166.6]	<b>4.60</b> [116.8]	0.492 [12.5]

# 110 / 210 (Long Jaw)

SHAFT PROTECTOR



OPTIONAL SHAFT EXTENSION  
INCREASES CENTER BOLT  
LENGTH BY 1.5"



# 110 / 210 (Long Jaw)

