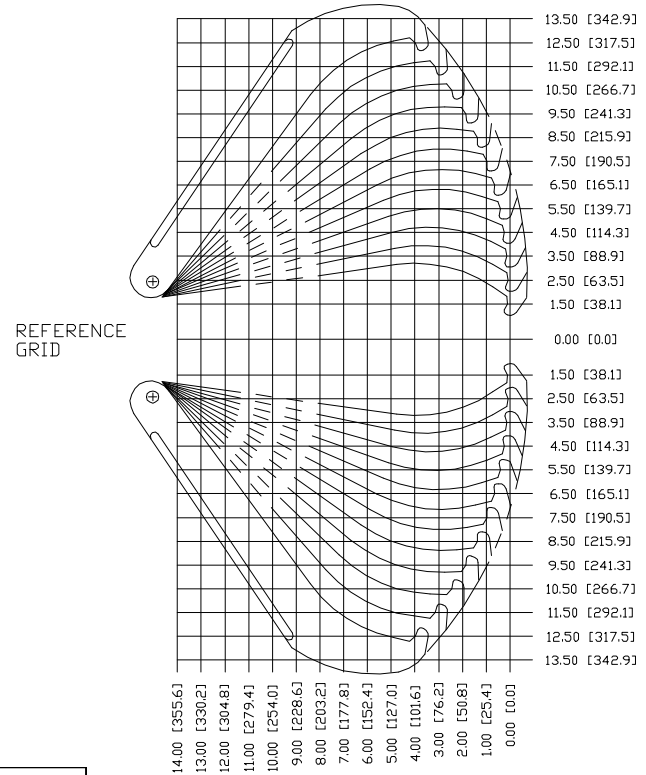
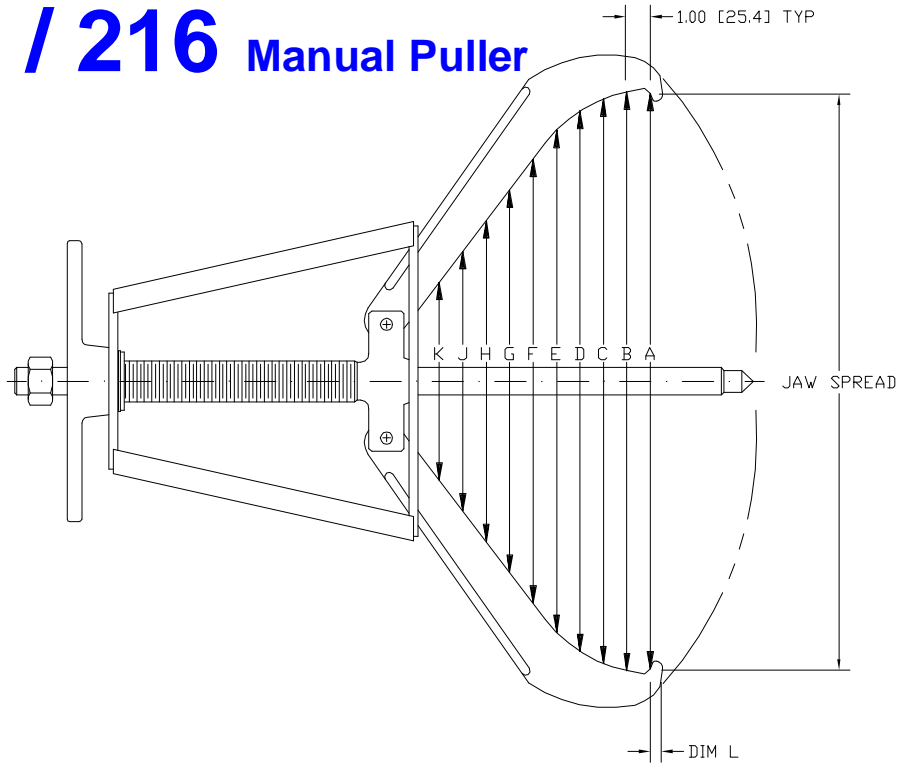


# 116 / 216 Manual Puller



JAW SPREAD	DIM A	DIM B	DIM C	DIM D	DIM E	DIM F	DIM G	DIM H	DIM J	DIM K	DIM L
3.00 [76.2]	6.41 [162.8]	6.24 [158.5]	<b>5.96 [151.4]</b>	5.68 [144.3]	5.40 [137.2]	<b>5.12 [130.0]</b>	4.85 [123.2]	4.57 [116.1]	<b>4.29 [109.0]</b>	4.01 [101.9]	0.398 [10.11]
5.00 [127.0]	7.89 [200.4]	7.61 [193.3]	<b>7.19 [182.6]</b>	6.78 [172.2]	6.36 [161.5]	<b>5.94 [150.9]</b>	5.53 [140.5]	5.11 [129.8]	<b>4.70 [119.4]</b>	4.28 [108.7]	0.421 [10.69]
7.00 [177.8]	9.39 [238.5]	9.01 [228.9]	<b>8.45 [214.6]</b>	7.90 [200.7]	7.34 [186.4]	<b>6.78 [172.2]</b>	6.22 [158.0]	5.66 [143.8]	<b>5.11 [129.8]</b>	4.55 [115.6]	0.442 [11.23]
9.00 [228.6]	10.92 [277.4]	10.47 [265.9]	<b>9.76 [247.9]</b>	9.06 [230.1]	8.35 [212.1]	<b>7.65 [194.3]</b>	6.94 [176.3]	6.24 [158.5]	<b>5.53 [140.5]</b>	4.82 [122.4]	0.460 [11.68]
11.00 [279.4]	12.50 [317.5]	11.98 [304.3]	<b>11.14 [283.0]</b>	10.28 [260.7]	9.42 [239.3]	<b>8.56 [217.4]</b>	7.69 [195.3]	6.83 [173.5]	<b>5.97 [151.6]</b>	5.11 [129.8]	0.477 [12.12]
13.00 [330.2]	14.13 [358.9]	13.57 [344.7]	<b>12.62 [320.5]</b>	11.59 [294.4]	10.56 [268.2]	<b>9.53 [242.1]</b>	8.50 [215.9]	7.47 [189.7]	<b>6.44 [163.6]</b>	5.41 [137.4]	0.492 [12.50]
15.00 [381.0]	15.82 [401.8]	15.24 [387.1]	<b>14.23 [361.4]</b>	13.02 [330.7]	11.80 [299.7]	<b>10.59 [269.0]</b>	9.37 [238.0]	8.16 [207.3]	<b>6.94 [176.3]</b>	5.72 [145.3]	0.51 [12.83]
17.00 [431.8]	17.58 [446.5]	17.00 [431.8]	<b>16.00 [406.4]</b>	14.61 [371.1]	13.18 [334.8]	<b>11.76 [298.7]</b>	10.34 [262.6]	8.92 [226.6]	<b>7.49 [190.2]</b>	6.07 [154.2]	0.516 [13.11]
19.00 [482.6]	19.41 [493.0]	18.87 [479.3]	<b>17.91 [454.9]</b>	16.42 [417.1]	14.76 [374.9]	<b>13.10 [332.7]</b>	11.44 [290.6]	9.78 [248.4]	<b>8.12 [206.2]</b>	6.46 [164.1]	0.524 [13.31]
21.00 [533.4]	21.33 [541.8]	20.84 [529.3]	<b>19.95 [506.7]</b>	15.83 [402.1]	16.61 [421.9]	<b>14.67 [372.6]</b>	12.73 [323.3]	10.79 [274.1]	<b>8.85 [224.8]</b>	6.91 [175.5]	0.529 [13.44]
23.00 [584.2]	23.32 [592.3]	22.92 [582.2]	<b>22.14 [562.4]</b>	20.87 [530.1]	18.87 [479.3]	<b>16.59 [421.4]</b>	14.30 [363.2]	12.02 [305.3]	<b>9.73 [247.1]</b>	7.45 [189.2]	0.531 [13.49]
25.00 [635.0]	25.00 [635.0]	25.09 [637.3]	<b>24.44 [620.8]</b>	23.35 [593.1]	21.63 [549.4]	<b>19.03 [483.4]</b>	16.30 [414.0]	13.57 [344.7]	<b>10.85 [275.6]</b>	8.12 [206.2]	0.530 [13.46]

## POSI LOCK MODELS 116\216 GEAR AND BEARING PULLER

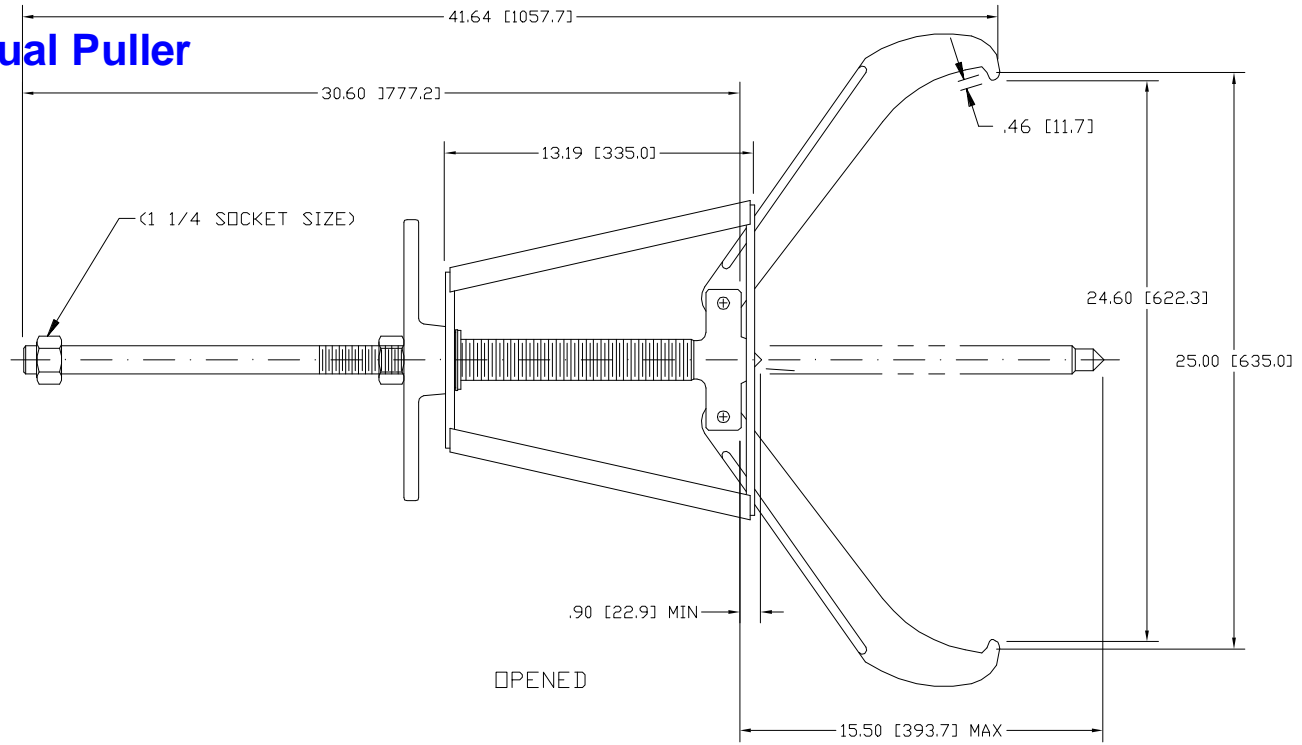
### MODEL 116

40 TON [36.3 METRIC TONS]  
 3 JAW  
 REACH 14.0 [355.6]  
 SPREAD 3.0 [76.2] TO 25.0 [635.0]  
 WT. 65 Lbs.[29.5 kg]  
 MAXIMUM TORQUE  
 850 FOOT POUNDS [1152 N m]

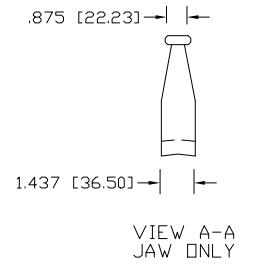
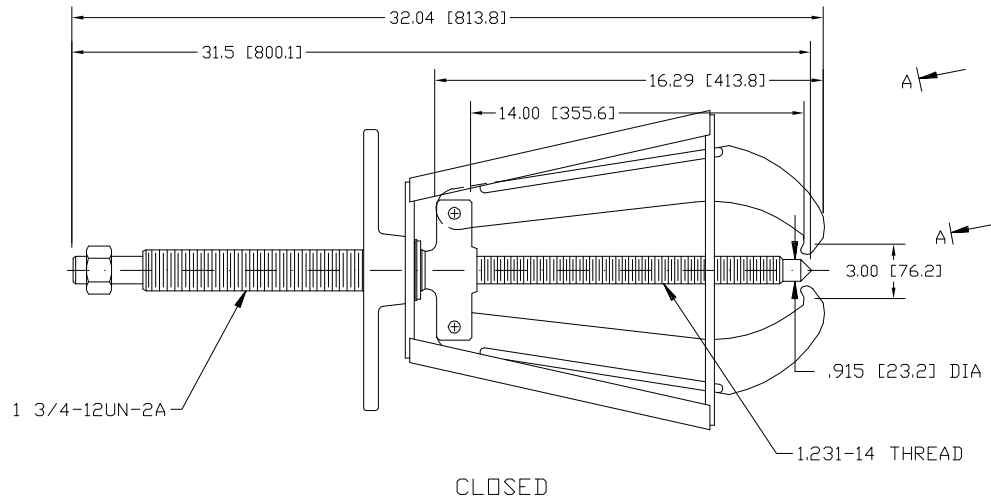
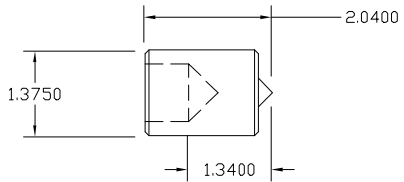
### MODEL 216

35 TON [31.8 METRIC TONS]  
 2 JAW  
 REACH 14.0 [355.6]  
 SPREAD 3.0 [76.2] TO 25.0 [635.0]  
 WT. 50 Lbs.[22.7 kg]  
 MAXIMUM TORQUE  
 800 FOOT POUNDS [1085 N m]

# 116 / 216 Manual Puller



SHAFT PROTECTOR



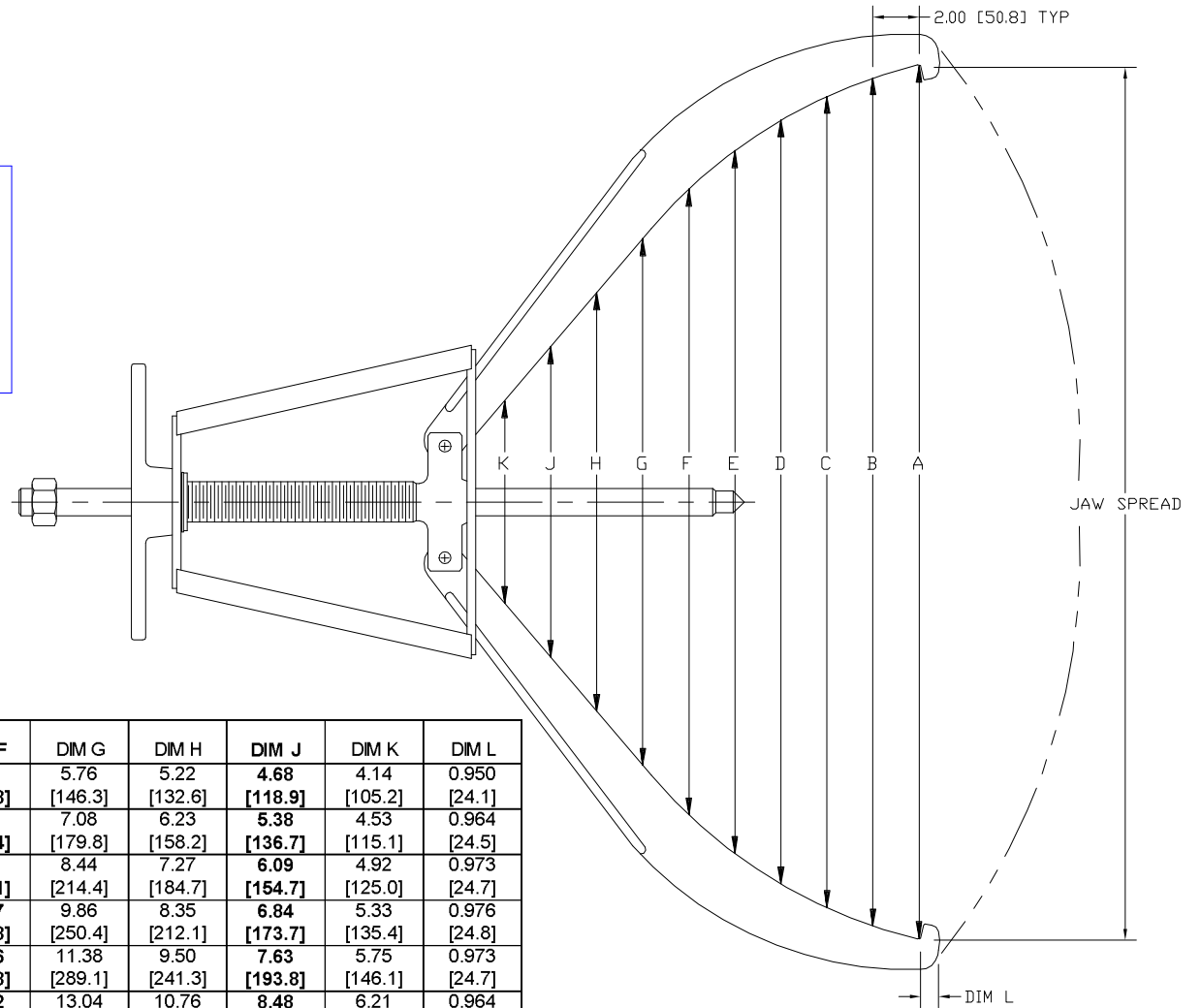
# 116 / 216 (Long Jaw)

## MODEL 116

40 TON [36.3 METRIC TONS]  
 3 JAW  
 REACH 25.0 [635.0]  
 SPREAD 2.0 [50.8] TO 38.0 [965.2]  
 WT. 90 Lbs.[40.8 kg]  
 MAXIMUM TORQUE  
 850 FOOT POUNDS [1152 N m]

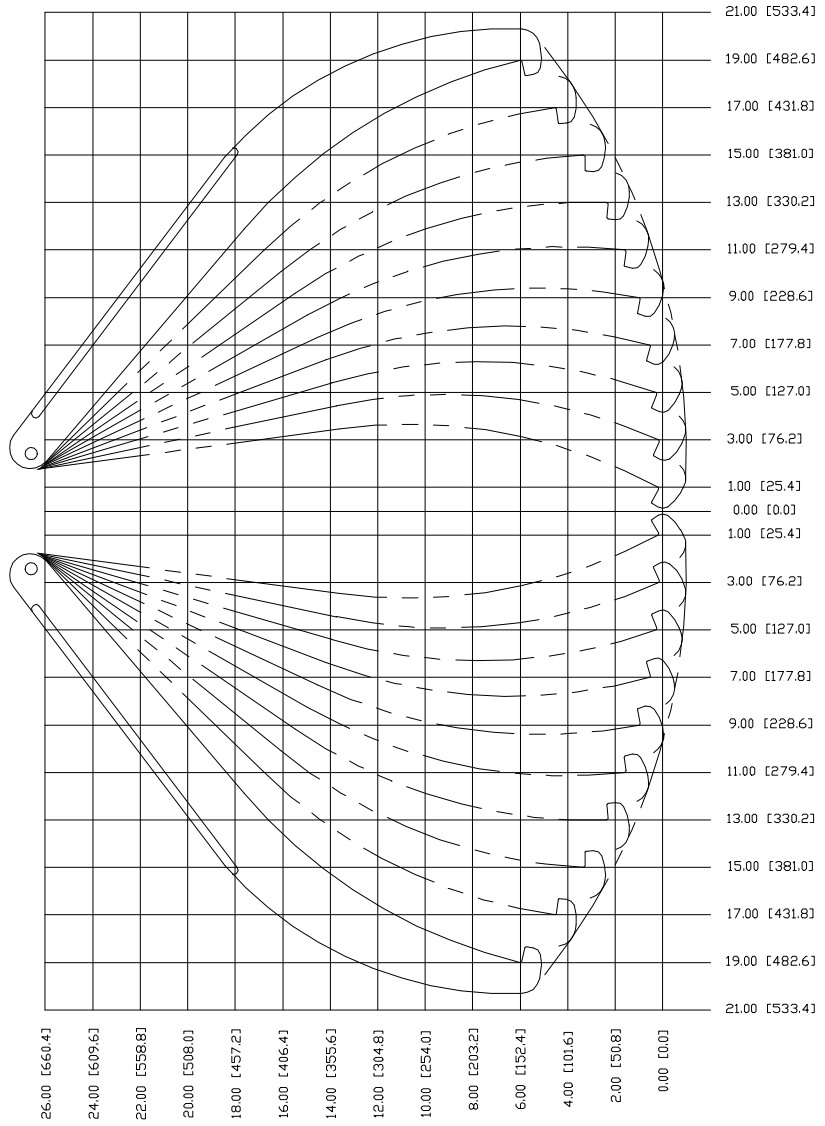
## MODEL 216

35 TON [31.8 METRIC TONS]  
 2 JAW  
 REACH 25.0 [635.0]  
 SPREAD 2.0 [50.8] TO 38.0 [965.2]  
 WT. 67 Lbs.[30.4 kg]  
 MAXIMUM TORQUE  
 800 FOOT POUNDS [1085 N m]

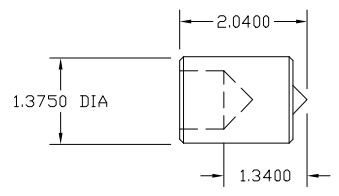


JAW SPREAD	DIM A	DIM B	DIM C	DIM D	DIM E	DIM F	DIM G	DIM H	DIM J	DIM K	DIM L
2.00 [50.8]	6.32 [160.5]	7.00 [177.8]	<b>7.30</b> [185.4]	7.25 [184.2]	6.83 [173.5]	<b>6.29</b> [159.8]	5.76 [146.3]	5.22 [132.6]	<b>4.68</b> [118.9]	4.14 [105.2]	0.950 [24.1]
6.00 [152.4]	9.39 [238.5]	9.79 [248.7]	<b>9.82</b> [249.4]	9.48 [240.8]	8.78 [223.0]	<b>7.93</b> [201.4]	7.08 [179.8]	6.23 [158.2]	<b>5.38</b> [136.7]	4.53 [115.1]	0.964 [24.5]
10.00 [254.0]	12.47 [316.7]	12.60 [320.0]	<b>13.37</b> [339.6]	11.77 [299.0]	10.78 [273.8]	<b>9.61</b> [244.1]	8.44 [214.4]	7.27 [184.7]	<b>6.09</b> [154.7]	4.92 [125.0]	0.973 [24.7]
14.00 [355.6]	15.58 [395.7]	15.47 [392.9]	<b>15.00</b> [381.0]	14.14 [359.2]	12.88 [327.2]	<b>11.37</b> [288.8]	9.86 [250.4]	8.35 [212.1]	<b>6.84</b> [173.7]	5.33 [135.4]	0.976 [24.8]
18.00 [457.2]	18.78 [477.0]	18.45 [468.6]	<b>17.74</b> [450.6]	16.64 [422.7]	15.12 [384.0]	<b>13.26</b> [336.8]	11.38 [289.1]	9.50 [241.3]	<b>7.63</b> [193.8]	5.75 [146.1]	0.973 [24.7]
22.00 [558.8]	22.11 [561.6]	21.57 [547.9]	<b>20.65</b> [524.5]	19.32 [490.7]	17.54 [445.5]	<b>15.32</b> [389.1]	13.04 [331.2]	10.76 [273.3]	<b>8.48</b> [215.4]	6.21 [157.7]	0.964 [24.5]
26.00 [381.0]	25.63 [651.0]	24.90 [632.5]	<b>23.78</b> [604.0]	22.23 [564.6]	20.20 [513.1]	<b>17.90</b> [454.7]	14.90 [378.5]	12.17 [309.1]	<b>9.44</b> [239.8]	6.71 [170.4]	0.948 [24.1]
30.00 [762.0]	29.40 [746.8]	28.50 [723.9]	<b>27.19</b> [690.6]	25.44 [646.2]	23.18 [588.8]	<b>20.30</b> [515.6]	17.05 [433.1]	13.79 [350.3]	<b>10.54</b> [267.7]	7.28 [184.9]	0.926 [23.5]
34.00 [863.6]	33.49 [850.6]	32.44 [824.0]	<b>30.98</b> [786.9]	29.05 [737.9]	26.58 [675.1]	<b>23.44</b> [595.4]	19.63 [498.6]	15.74 [399.8]	<b>11.85</b> [301.0]	7.96 [202.2]	0.895 [22.7]
38.00 [965.2]	38.00 [965.2]	36.84 [935.7]	<b>35.25</b> [895.4]	33.18 [842.8]	30.53 [775.5]	<b>27.18</b> [690.4]	22.88 [581.2]	18.18 [461.8]	<b>13.49</b> [342.6]	8.79 [223.3]	0.855 [21.7]

# 116 / 216 (Long Jaw)



SHAFT PROTECTOR



# 116 / 216 (Long Jaw)

