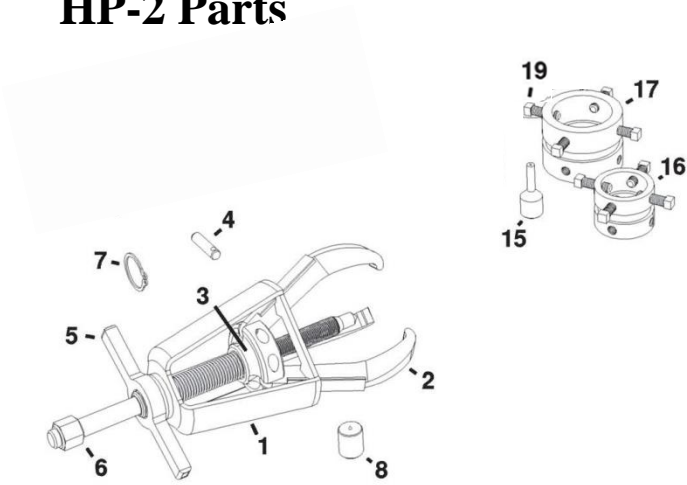


POSI LOCK™ PULLER INC

HP-2 Parts



HP-2

Description	Part #
1. External Cage® - 3 Jaw	10453
2. External Jaw	10454
3. Jaw Head Assembly – 3- Jaw	10455
4. Pin	10456
5. T-Handle	10457
6. Center Bolt (Dia. 9/16")	10458
7. Snap Ring	10459
15. Tip Reducer/ Extender	HP-70
16. Small Hub Puller	HP-30
17. Large Hub Puller	HP-40
19. Square Head Set Screw	HP-60