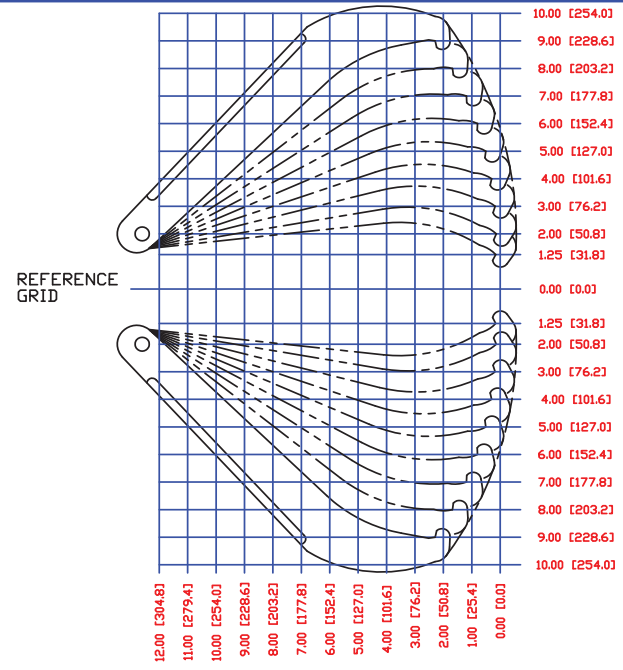
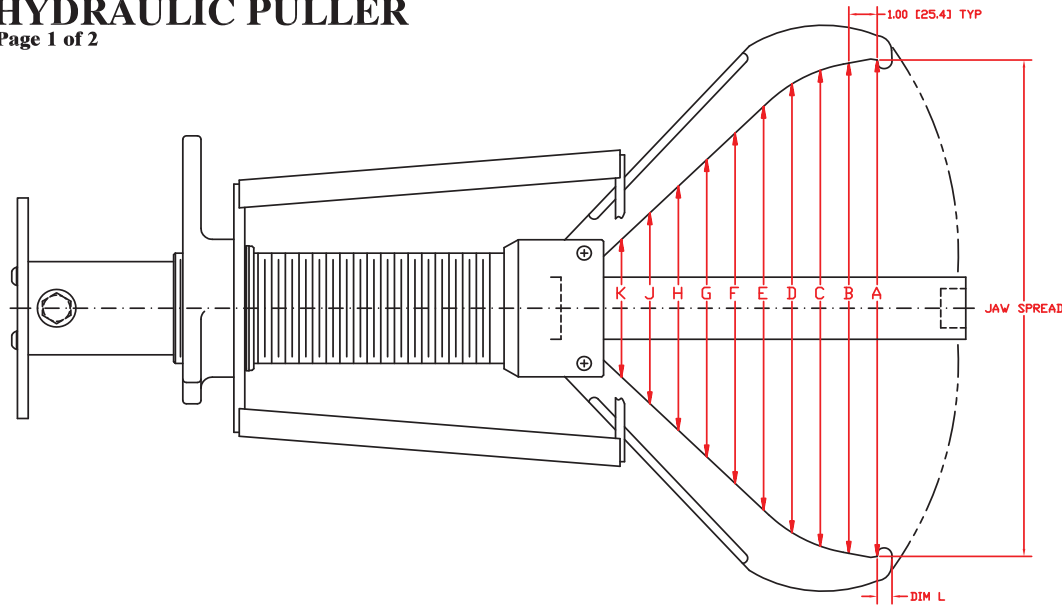


PHB-113/213 Standard Jaws

HYDRAULIC PULLER

Page 1 of 2



JAW SPREAD	DIM A	DIM B	DIM C	DIM D	DIM E	DIM F	DIM G	DIM H	DIM J	DIM K	DIM L
2.50 [63.5]	4.53 [115.1]	4.82 [122.4]	4.73 [120.1]	4.51 [114.6]	4.29 [109.0]	4.06 [103.1]	3.84 [97.5]	3.62 [91.9]	3.40 [86.4]	3.18 [80.8]	.617 [15.67]
4.00 [101.6]	5.76 [146.3]	5.94 [150.9]	5.74 [145.8]	5.40 [137.2]	5.05 [128.3]	4.71 [119.6]	4.36 [110.7]	4.02 [102.1]	3.67 [93.2]	3.33 [84.6]	.618 [15.70]
6.00 [152.4]	7.38 [187.5]	7.45 [189.2]	7.12 [180.8]	6.61 [167.9]	6.09 [154.7]	5.58 [141.7]	5.07 [128.8]	4.55 [115.6]	4.04 [102.6]	3.53 [89.7]	.615 [15.62]
8.00 [203.2]	9.02 [229.1]	8.98 [228.1]	8.56 [217.4]	7.87 [199.9]	7.18 [182.4]	6.49 [164.8]	5.80 [147.3]	5.11 [129.8]	4.42 [112.3]	3.73 [94.7]	.609 [15.47]
10.00 [254.0]	10.68 [271.3]	10.57 [268.5]	10.07 [255.8]	9.21 [233.9]	8.33 [211.6]	7.46 [189.5]	6.58 [167.1]	5.70 [144.8]	4.82 [122.4]	3.94 [100.1]	.598 [15.19]
12.00 [304.8]	12.38 [314.5]	12.23 [310.6]	11.67 [296.4]	10.68 [271.2]	9.59 [243.6]	8.51 [216.2]	7.42 [188.5]	6.34 [161.0]	5.25 [133.4]	4.16 [105.7]	.583 [14.81]
14.00 [355.6]	14.14 [359.1]	13.97 [354.8]	13.40 [340.4]	12.33 [313.2]	11.01 [279.7]	9.69 [246.1]	8.37 [212.6]	7.04 [178.8]	5.72 [145.3]	4.40 [111.8]	.564 [14.33]
16.00 [406.4]	15.97 [405.6]	15.82 [401.8]	15.25 [387.4]	14.20 [360.7]	12.65 [321.3]	11.05 [280.7]	9.46 [240.3]	7.86 [199.6]	6.27 [159.3]	4.67 [118.6]	.539 [13.69]
18.00 [457.2]	18.00 [457.2]	17.77 [451.4]	17.26 [438.4]	16.27 [413.3]	14.63 [371.6]	12.70 [322.6]	10.77 [273.6]	8.85 [224.8]	6.92 [175.8]	4.99 [126.7]	.508 [12.90]

POSI LOCK MODELS PHB113\PHB213 GEAR AND BEARING PULLER

MODEL PHB113
25 TON [22.8 METRIC TONS]
3 JAW - STANDARD
RAM STROKE 14.25 [362.0]
REACH 12.0 [304.8]
SPREAD 2.5 [63.5] TO 18.0 [457.2]
WT. 116 Lbs.[52.7 kg]
RATED FOR 10000 PSI

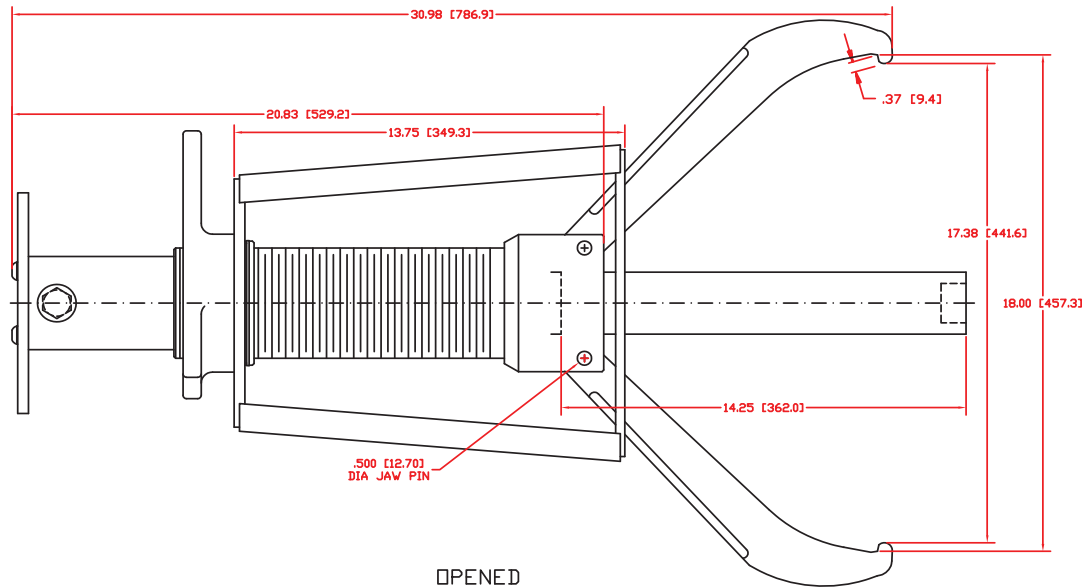
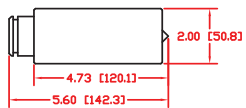
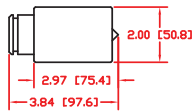
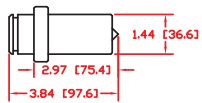
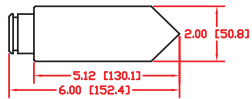
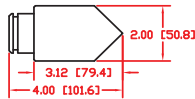
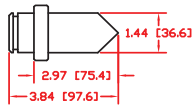
MODEL PHB213
25 TON [22.8 METRIC TONS]
2 JAW - STANDARD
RAM STROKE 14.25 [362.0]
REACH 12.0 [304.8]
SPREAD 2.5 [63.5] TO 18.0 [457.2]
WT. 98 Lbs.[44.5 kg]
RATED FOR 10000 PSI

ITEM NO.	QTY.	PART NO.	DESCRIPTION	NOTES																								
<table border="1"> <tr> <td> <ul style="list-style-type: none"> FLATNESS STRAIGHTNESS ANGULARITY PERPENDICULARITY PARALLELISM CIRCULARITY PROFILE OF SURF. FREE-STATE CONCENTRICITY SYMMETRY TRUE POSITION PHILIPS, INC. </td> <td> <table border="1"> <tr> <td>MATERIAL:</td> <td>DRAWN:</td> <td>AE/TSS</td> <td>DATE:</td> </tr> <tr> <td>SCALE:</td> <td>CHECKED:</td> <td></td> <td>07MAY91</td> </tr> </table> </td> </tr> <tr> <td colspan="4"> DIMENSIONS ARE IN INCHES DIMENSIONS AND UNITS IN 1/2 INCH IN MULTIPLES UNLESS OTHERWISE NOTED. ALL DIMENSIONS UNLESS OTHERWISE SPECIFIED ARE TO BE TAKEN FROM THE DRAWING UNLESS NOTED OTHERWISE. CONFIDENTIAL - PROPERTY OF POSI LOCK PULLER, INC. Box 246, Cooperstown, NY 12523 </td> <td> <table border="1"> <tr> <td>PHILIPS, INC.</td> <td>PART NO.</td> <td>REV.</td> </tr> <tr> <td>MODEL</td> <td>001933</td> <td></td> </tr> <tr> <td>PHB113/PHB213</td> <td>SHEET</td> <td>1 OF 2</td> </tr> </table> </td> </tr> </table>					<ul style="list-style-type: none"> FLATNESS STRAIGHTNESS ANGULARITY PERPENDICULARITY PARALLELISM CIRCULARITY PROFILE OF SURF. FREE-STATE CONCENTRICITY SYMMETRY TRUE POSITION PHILIPS, INC. 	<table border="1"> <tr> <td>MATERIAL:</td> <td>DRAWN:</td> <td>AE/TSS</td> <td>DATE:</td> </tr> <tr> <td>SCALE:</td> <td>CHECKED:</td> <td></td> <td>07MAY91</td> </tr> </table>	MATERIAL:	DRAWN:	AE/TSS	DATE:	SCALE:	CHECKED:		07MAY91	DIMENSIONS ARE IN INCHES DIMENSIONS AND UNITS IN 1/2 INCH IN MULTIPLES UNLESS OTHERWISE NOTED. ALL DIMENSIONS UNLESS OTHERWISE SPECIFIED ARE TO BE TAKEN FROM THE DRAWING UNLESS NOTED OTHERWISE. CONFIDENTIAL - PROPERTY OF POSI LOCK PULLER, INC. Box 246, Cooperstown, NY 12523				<table border="1"> <tr> <td>PHILIPS, INC.</td> <td>PART NO.</td> <td>REV.</td> </tr> <tr> <td>MODEL</td> <td>001933</td> <td></td> </tr> <tr> <td>PHB113/PHB213</td> <td>SHEET</td> <td>1 OF 2</td> </tr> </table>	PHILIPS, INC.	PART NO.	REV.	MODEL	001933		PHB113/PHB213	SHEET	1 OF 2
<ul style="list-style-type: none"> FLATNESS STRAIGHTNESS ANGULARITY PERPENDICULARITY PARALLELISM CIRCULARITY PROFILE OF SURF. FREE-STATE CONCENTRICITY SYMMETRY TRUE POSITION PHILIPS, INC. 	<table border="1"> <tr> <td>MATERIAL:</td> <td>DRAWN:</td> <td>AE/TSS</td> <td>DATE:</td> </tr> <tr> <td>SCALE:</td> <td>CHECKED:</td> <td></td> <td>07MAY91</td> </tr> </table>	MATERIAL:	DRAWN:	AE/TSS	DATE:	SCALE:	CHECKED:		07MAY91																			
MATERIAL:	DRAWN:	AE/TSS	DATE:																									
SCALE:	CHECKED:		07MAY91																									
DIMENSIONS ARE IN INCHES DIMENSIONS AND UNITS IN 1/2 INCH IN MULTIPLES UNLESS OTHERWISE NOTED. ALL DIMENSIONS UNLESS OTHERWISE SPECIFIED ARE TO BE TAKEN FROM THE DRAWING UNLESS NOTED OTHERWISE. CONFIDENTIAL - PROPERTY OF POSI LOCK PULLER, INC. Box 246, Cooperstown, NY 12523				<table border="1"> <tr> <td>PHILIPS, INC.</td> <td>PART NO.</td> <td>REV.</td> </tr> <tr> <td>MODEL</td> <td>001933</td> <td></td> </tr> <tr> <td>PHB113/PHB213</td> <td>SHEET</td> <td>1 OF 2</td> </tr> </table>	PHILIPS, INC.	PART NO.	REV.	MODEL	001933		PHB113/PHB213	SHEET	1 OF 2															
PHILIPS, INC.	PART NO.	REV.																										
MODEL	001933																											
PHB113/PHB213	SHEET	1 OF 2																										

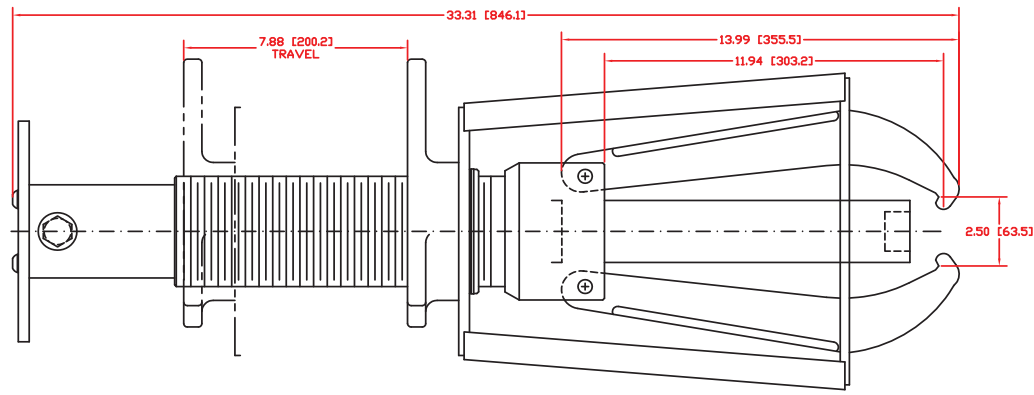
PHB-113/213 Standard Jaws HYDRAULIC PULLER

Page 2 of 2

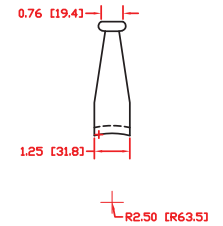
RAM POINT SET



OPENED



CLOSED



VIEW A-A
JAW ONLY

ITEM NO.	QTY.	PART NO.	DESCRIPTION	NOTES
<ul style="list-style-type: none"> ✓ FLATNESS ✓ STRAIGHTNESS ✓ ANGULARITY ✓ PERPENDICULARITY ✓ PARALLELISM ✓ ROUNDNESS ✓ CIRCULARITY ✓ PROFILE OF SURF. ✓ PROFILE OF LINE ✓ HOLE ✓ CONCENTRICITY ✓ SQUARENESS ✓ TRUE POSITION ✓ CHAMFER ✓ POSITION ✓ CHAMFER ✓ POSITION ✓ CHAMFER 				
MATERIAL:		SCALE:	DRAWN:	AE/TSS
CHECKED:		D7MAY91		
<p>DIMENSIONS ARE IN INCHES UNLESS OTHERWISE NOTED. DIMENSIONS ARE TO BE HIGHLIGHTED UNLESS OTHERWISE NOTED. ALL DIMENSIONS UNLESS OTHERWISE NOTED. DIMENSIONS ARE TO BE HIGHLIGHTED UNLESS OTHERWISE NOTED.</p>				
<p>CONFIDENTIAL - PROPERTY OF POST-LOCK PULLER, INC. Box 846, Cooperstown, NY 12523</p>				
PART NAME:		MODEL:	PART NO.:	REV.:
PHB113/PHB213		001933	001933	
SHEET 2 OF 2		D		

PHB-113/213 Long Jaws HYDRAULIC PULLER

Page 1 of 3

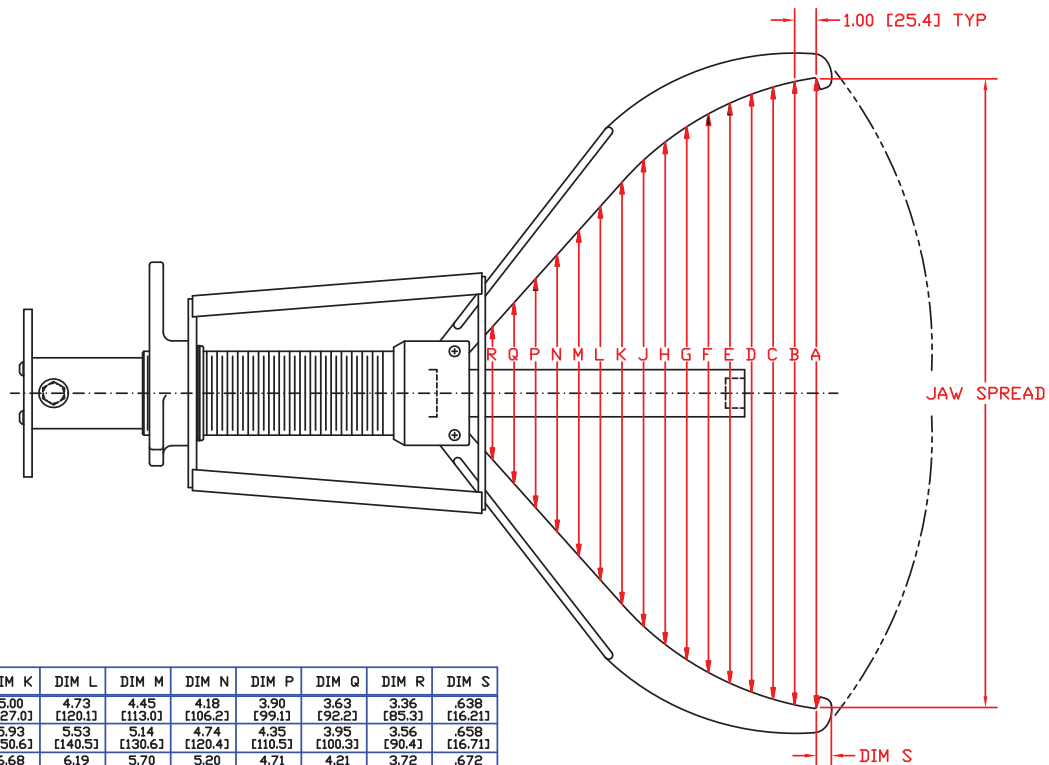
POSI LOCK MODELS
PHB113/PHB213 LONG JAWS
GEAR AND BEARING PULLER

MODEL PHB113

25 TON [22.8 METRIC TONS]
3 LONG JAWS
RAM STROKE 14.25 [362.0]
REACH 20.0 [508.0]
SPREAD 1.5 [38.1] TO 30.0 [762.0]
WT. 134 Lbs.[60.8 kg]
RATED FOR 10000 PSI

MODEL PHB213

25 TON [22.8 METRIC TONS]
2 LONG JAWS
RAM STROKE 14.25 [362.0]
REACH 20.0 [508.0]
SPREAD 1.5 [38.1] TO 30.0 [762.0]
WT. 110 Lbs.[49.9 kg]
RATED FOR 10000 PSI



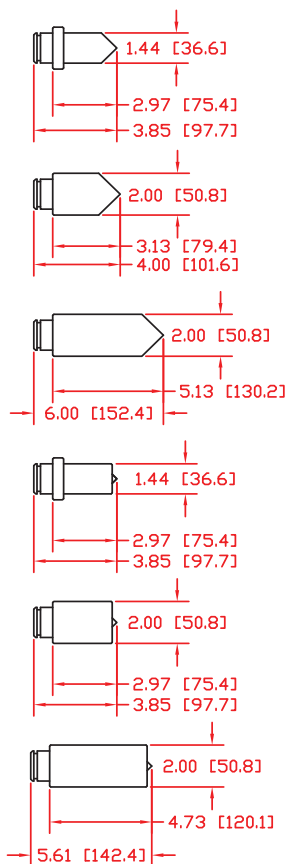
JAW SPREAD	DIM A	DIM B	DIM C	DIM D	DIM E	DIM F	DIM G	DIM H	DIM J	DIM K	DIM L	DIM M	DIM N	DIM P	DIM Q	DIM R	DIM S
1.50 [38.1]	5.36 [136.1]	5.78 [146.8]	6.06 [153.9]	6.20 [157.5]	6.21 [157.7]	6.08 [154.4]	5.92 [147.8]	5.55 [141.0]	5.27 [133.9]	5.00 [127.0]	4.72 [120.1]	4.45 [113.0]	4.18 [106.2]	3.90 [99.1]	3.63 [92.2]	3.36 [85.3]	3.08 [78.4]
4.00 [101.6]	7.31 [185.7]	7.62 [193.5]	7.79 [197.9]	7.82 [198.6]	7.72 [196.1]	7.49 [190.2]	7.11 [180.6]	6.72 [170.7]	6.32 [160.5]	5.93 [150.5]	5.54 [140.5]	5.14 [130.6]	4.74 [120.4]	4.35 [110.5]	3.95 [100.3]	3.56 [90.4]	3.17 [80.5]
6.00 [152.4]	8.86 [225.0]	9.08 [230.6]	9.17 [232.9]	9.13 [231.9]	8.94 [227.1]	8.63 [219.2]	8.17 [207.5]	7.67 [194.8]	7.18 [182.4]	6.68 [169.7]	6.19 [157.2]	5.70 [144.8]	5.20 [132.1]	4.71 [119.6]	4.21 [106.9]	3.72 [94.5]	3.23 [82.1]
8.00 [203.2]	10.41 [264.4]	10.56 [268.2]	10.57 [268.5]	10.45 [265.4]	10.19 [258.8]	9.79 [248.7]	9.24 [234.7]	8.65 [221.9]	8.05 [209.5]	7.46 [197.2]	6.86 [184.8]	6.27 [172.4]	5.67 [144.0]	5.07 [128.8]	4.48 [113.8]	3.88 [98.6]	3.29 [83.7]
10.0 [254.0]	11.98 [304.3]	12.05 [306.1]	11.99 [304.5]	11.79 [299.5]	11.46 [291.1]	10.99 [279.1]	10.35 [266.9]	9.65 [254.5]	8.95 [242.1]	8.25 [229.6]	7.55 [217.2]	6.85 [204.8]	6.15 [192.4]	5.45 [180.0]	4.75 [167.6]	4.05 [155.2]	3.36 [142.8]
12.0 [304.8]	13.56 [344.4]	13.56 [344.4]	13.43 [341.1]	13.17 [334.5]	12.76 [324.1]	12.22 [312.1]	11.51 [299.7]	10.70 [287.3]	9.99 [274.9]	9.08 [262.4]	8.27 [250.0]	7.46 [237.6]	6.65 [225.1]	5.84 [212.7]	5.03 [200.3]	4.22 [187.9]	3.41 [175.5]
14.0 [355.6]	15.16 [385.1]	15.10 [383.5]	14.91 [378.7]	14.58 [370.3]	14.11 [358.4]	13.49 [342.6]	12.71 [322.8]	11.79 [309.5]	10.87 [297.1]	9.94 [284.7]	9.02 [272.3]	8.09 [259.9]	7.17 [247.5]	6.24 [235.1]	5.32 [222.7]	4.40 [210.3]	3.49 [197.9]
16.0 [406.4]	16.81 [427.0]	16.69 [423.9]	16.44 [417.6]	16.05 [407.7]	15.51 [394.0]	14.82 [376.4]	13.97 [354.8]	12.95 [342.4]	11.90 [330.0]	10.85 [317.6]	9.81 [305.2]	8.76 [292.8]	7.72 [280.4]	6.67 [268.0]	5.62 [255.6]	4.58 [243.2]	3.53 [230.8]
18.0 [457.2]	18.49 [469.6]	18.32 [465.3]	18.01 [457.5]	17.56 [446.0]	16.97 [431.0]	16.22 [412.0]	15.29 [398.4]	14.17 [385.9]	13.00 [373.5]	11.82 [361.1]	10.65 [348.7]	9.47 [336.3]	8.30 [323.9]	7.12 [311.5]	5.95 [299.1]	4.77 [286.7]	3.59 [274.3]
20.0 [508.0]	20.23 [513.8]	20.01 [508.3]	19.65 [499.1]	19.15 [486.4]	18.50 [469.9]	17.68 [449.1]	16.69 [429.9]	15.50 [417.4]	14.18 [404.9]	12.87 [392.4]	11.55 [380.0]	10.24 [367.6]	8.92 [355.2]	7.61 [342.8]	6.29 [330.4]	4.97 [318.0]	3.66 [305.6]
22.0 [558.8]	22.04 [559.8]	21.77 [553.0]	21.36 [542.5]	20.81 [528.6]	20.11 [510.8]	19.24 [488.7]	18.19 [462.0]	16.93 [435.3]	15.47 [422.8]	14.00 [410.4]	12.54 [400.0]	11.07 [389.6]	9.60 [379.2]	8.13 [368.8]	6.66 [358.4]	5.19 [348.0]	3.72 [337.6]
24.0 [609.6]	23.91 [607.3]	23.61 [599.7]	23.16 [588.3]	22.57 [573.3]	21.82 [554.2]	20.90 [530.9]	19.79 [507.2]	18.47 [484.9]	16.89 [472.5]	15.26 [460.1]	13.62 [447.7]	11.98 [435.3]	10.34 [422.9]	8.71 [410.5]	7.07 [398.1]	5.43 [385.7]	3.79 [373.3]
25.8 [658.4]	25.88 [657.4]	25.54 [648.7]	25.06 [636.5]	24.43 [620.5]	23.64 [600.5]	22.67 [575.8]	21.52 [546.6]	20.14 [524.2]	18.49 [511.6]	16.66 [500.0]	14.83 [487.6]	13.01 [475.2]	11.18 [462.8]	9.35 [450.4]	7.52 [438.0]	5.70 [425.2]	3.86 [412.8]
26.0 [660.4]	27.94 [709.7]	27.57 [700.3]	27.06 [687.3]	26.40 [670.6]	25.58 [649.7]	24.59 [624.6]	23.39 [599.4]	21.96 [577.0]	20.27 [564.8]	18.26 [552.0]	16.22 [539.6]	14.17 [527.4]	12.13 [515.0]	10.08 [502.6]	8.04 [490.2]	5.99 [477.8]	3.91 [465.4]
28.0 [711.2]	30.00 [762.0]	29.74 [755.4]	29.21 [741.9]	28.53 [724.7]	27.68 [703.1]	26.66 [677.2]	25.43 [654.9]	23.98 [632.6]	22.24 [610.3]	20.13 [597.9]	17.83 [585.5]	15.53 [573.1]	13.23 [560.7]	10.93 [548.3]	8.63 [535.9]	6.34 [523.5]	4.04 [511.1]

ITEM NO.	QTY.	PART NO.	DESCRIPTION	NOTES
<input type="checkbox"/> FLANGES <input type="checkbox"/> ROPE/SHACKLES <input type="checkbox"/> ADJUSTABLE ANCHORS <input type="checkbox"/> RIGGING SAFETY <input type="checkbox"/> RIGGING <input type="checkbox"/> COLLAR <input type="checkbox"/> PROFILE OF USE <input type="checkbox"/> RIGGING <input type="checkbox"/> CONCENTRICITY <input type="checkbox"/> CENTERLINE <input type="checkbox"/> TYPICAL POSITION <input type="checkbox"/> FILED IN U.S.A.				
MATERIAL:			DRAWN AE/TSS	NOTES
SCALE:			CHECKED	
DIMENSIONS ARE IN INCHES UNLESS NOTED AND UNITS IN 1/16 INCHES UNLESS OTHERWISE NOTED.				
ALL DIMENSIONS ARE TO UNLESS OTHERWISE NOTED.				
CONFIDENTIAL - PROPERTY OF POSI LOCK PULLER, INC. Box 256, Cooperstown, NY 12523				
PART NAME:			PART NO.	REV.
MODEL PHB113/PHB213			001934	
LONG JAWS			SHEET 1 OF 3	D

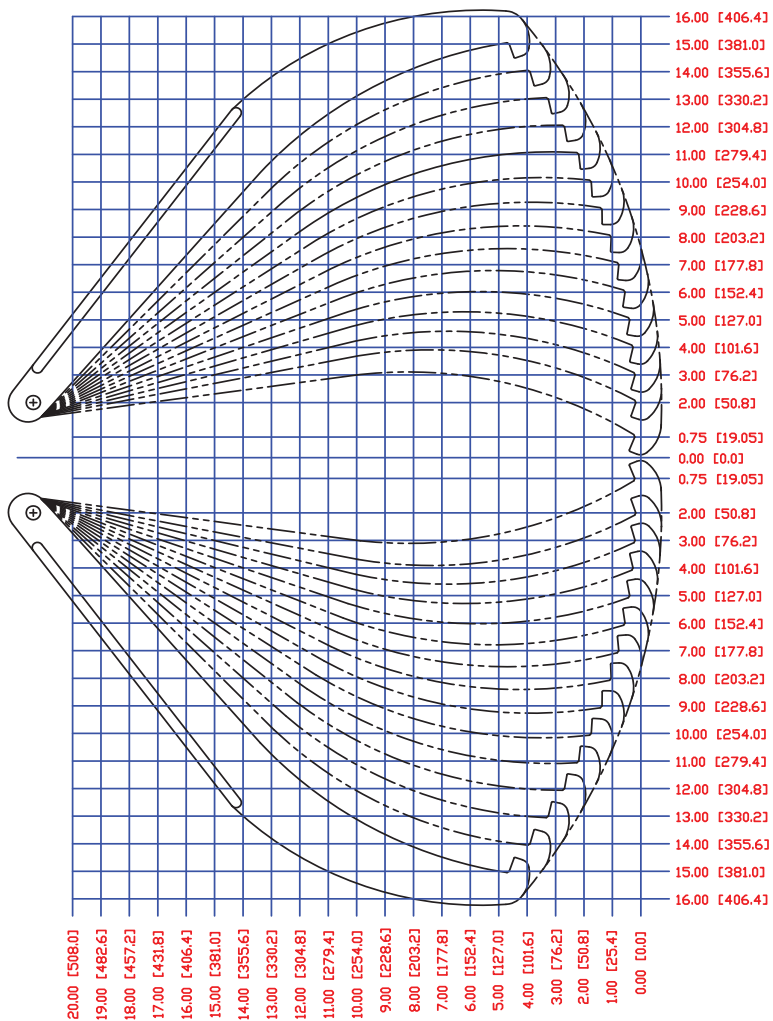
PHB-113/213 Long Jaws HYDRAULIC PULLER

Page 2 of 3

RAM POINT SET



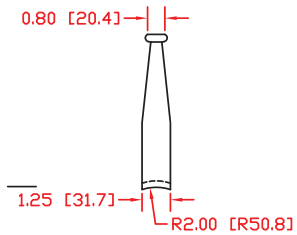
REFERENCE
GRID



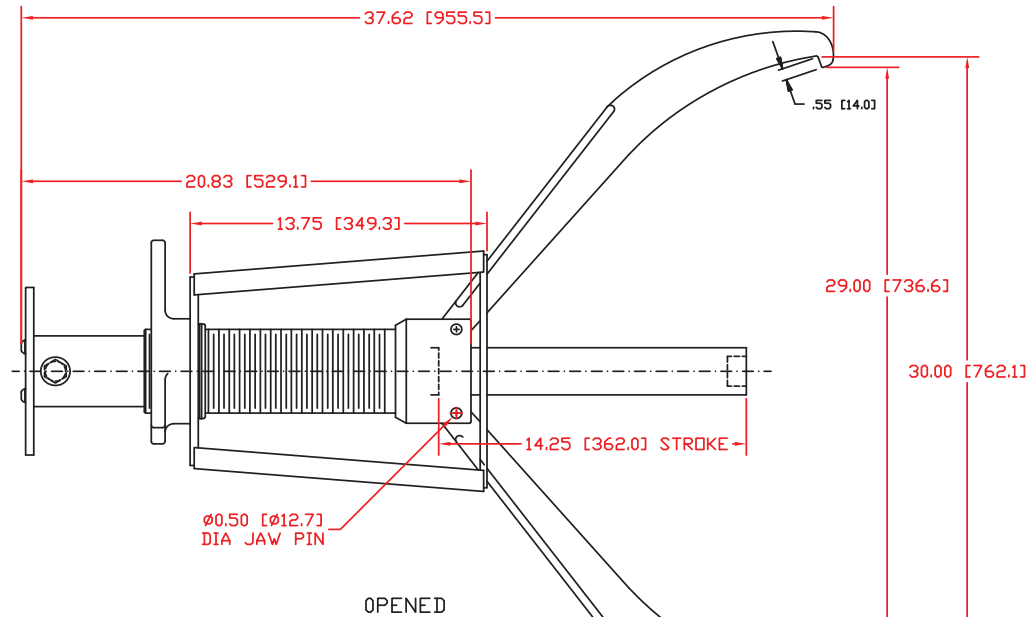
ITEM NO.	QTY.	PART NO.	DESCRIPTION	NOTES
		MATERIAL:	DRAWN: AE/TSSB	CHECKED: 9MAY91
		SCALE:		
DIMENSIONS ARE IN INCHES UNLESS OTHERWISE NOTED.				
IN 1/4 INCH INCREMENTS UNLESS OTHERWISE NOTED.				
ALL DIMENSIONS UNLESS OTHERWISE NOTED.				
MILL TO BE USED UNLESS OTHERWISE NOTED.				
ALL DIMENSIONS TO CENTER UNLESS OTHERWISE NOTED.				
CONFIDENTIAL - PROPERTY OF POSI-LOCK PULLER, INC.				
PO Box 846, Cooperstown, NY 12525				
		PART NAME:	PART NO:	REV:
		MODEL: PHB113/PHB213	001934	
		LONG JAWS	SHEET 2 OF 3	D

PHB-113/213 Long Jaws HYDRAULIC PULLER

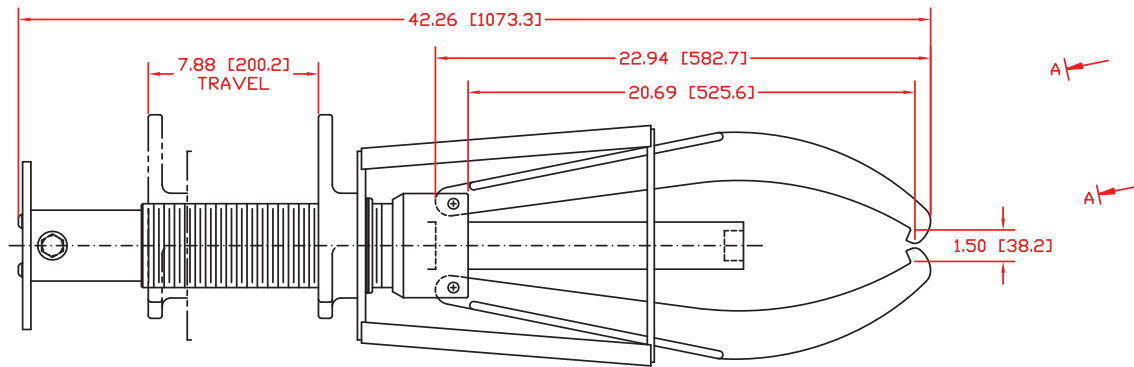
Page 3 of 3



VIEW A-A
JAW ONLY



OPENED



CLOSED

ITEM NO.	QTY.	PART NO.	DESCRIPTION	NOTES																																																																											
<table border="1"> <tr> <td><input checked="" type="checkbox"/> FLATNESS</td> <td><input type="checkbox"/> MATERIAL</td> <td><input type="checkbox"/> DRAWN</td> <td><input type="checkbox"/> AE/TSSB</td> <td><input type="checkbox"/> 9MAY91</td> </tr> <tr> <td><input checked="" type="checkbox"/> STRAIGHTNESS</td> <td><input type="checkbox"/> SCALE</td> <td><input type="checkbox"/> CHECKED</td> <td></td> <td></td> </tr> <tr> <td><input checked="" type="checkbox"/> ANGULARITY</td> <td colspan="4">DIMENSIONS ARE IN INCHES DIMENSIONS AND UNITS IN 1/4 INCH IN MULTIPLES UNLESS OTHERWISE NOTED.</td> </tr> <tr> <td><input checked="" type="checkbox"/> PERPENDICULARITY</td> <td colspan="4">ALL DIMENSIONS UNLESS OTHERWISE SPECIFIED ARE TO BE TAKEN FROM THE DRAWING UNLESS OTHERWISE NOTED.</td> </tr> <tr> <td><input checked="" type="checkbox"/> PARALLELISM</td> <td colspan="4">CONFIDENTIAL - PROPERTY OF</td> </tr> <tr> <td><input checked="" type="checkbox"/> ROUNDNESS</td> <td colspan="4">POST LOKK PULLER, INC.</td> </tr> <tr> <td><input checked="" type="checkbox"/> CIRCULARITY</td> <td colspan="4">Box 846, Cooperstown, NY 12825</td> </tr> <tr> <td><input checked="" type="checkbox"/> PROFILE OF SURF.</td> <td colspan="4">PART NAME</td> </tr> <tr> <td><input checked="" type="checkbox"/> FREE FORM</td> <td colspan="4">MODEL PHB113/PHB213</td> </tr> <tr> <td><input checked="" type="checkbox"/> CONCENTRICITY</td> <td colspan="4">PART NO.</td> </tr> <tr> <td><input checked="" type="checkbox"/> SQUARENESS</td> <td colspan="4">001934</td> </tr> <tr> <td><input checked="" type="checkbox"/> TRUE POSITION</td> <td colspan="4">REV.</td> </tr> <tr> <td><input checked="" type="checkbox"/> SURFACE FINISH</td> <td colspan="4">LONG JAWS</td> </tr> <tr> <td><input checked="" type="checkbox"/> POSITION</td> <td colspan="4">SHEET 3 OF 3</td> </tr> <tr> <td><input checked="" type="checkbox"/> CHAMFER SIZE</td> <td colspan="4">D</td> </tr> </table>					<input checked="" type="checkbox"/> FLATNESS	<input type="checkbox"/> MATERIAL	<input type="checkbox"/> DRAWN	<input type="checkbox"/> AE/TSSB	<input type="checkbox"/> 9MAY91	<input checked="" type="checkbox"/> STRAIGHTNESS	<input type="checkbox"/> SCALE	<input type="checkbox"/> CHECKED			<input checked="" type="checkbox"/> ANGULARITY	DIMENSIONS ARE IN INCHES DIMENSIONS AND UNITS IN 1/4 INCH IN MULTIPLES UNLESS OTHERWISE NOTED.				<input checked="" type="checkbox"/> PERPENDICULARITY	ALL DIMENSIONS UNLESS OTHERWISE SPECIFIED ARE TO BE TAKEN FROM THE DRAWING UNLESS OTHERWISE NOTED.				<input checked="" type="checkbox"/> PARALLELISM	CONFIDENTIAL - PROPERTY OF				<input checked="" type="checkbox"/> ROUNDNESS	POST LOKK PULLER, INC.				<input checked="" type="checkbox"/> CIRCULARITY	Box 846, Cooperstown, NY 12825				<input checked="" type="checkbox"/> PROFILE OF SURF.	PART NAME				<input checked="" type="checkbox"/> FREE FORM	MODEL PHB113/PHB213				<input checked="" type="checkbox"/> CONCENTRICITY	PART NO.				<input checked="" type="checkbox"/> SQUARENESS	001934				<input checked="" type="checkbox"/> TRUE POSITION	REV.				<input checked="" type="checkbox"/> SURFACE FINISH	LONG JAWS				<input checked="" type="checkbox"/> POSITION	SHEET 3 OF 3				<input checked="" type="checkbox"/> CHAMFER SIZE	D			
<input checked="" type="checkbox"/> FLATNESS	<input type="checkbox"/> MATERIAL	<input type="checkbox"/> DRAWN	<input type="checkbox"/> AE/TSSB	<input type="checkbox"/> 9MAY91																																																																											
<input checked="" type="checkbox"/> STRAIGHTNESS	<input type="checkbox"/> SCALE	<input type="checkbox"/> CHECKED																																																																													
<input checked="" type="checkbox"/> ANGULARITY	DIMENSIONS ARE IN INCHES DIMENSIONS AND UNITS IN 1/4 INCH IN MULTIPLES UNLESS OTHERWISE NOTED.																																																																														
<input checked="" type="checkbox"/> PERPENDICULARITY	ALL DIMENSIONS UNLESS OTHERWISE SPECIFIED ARE TO BE TAKEN FROM THE DRAWING UNLESS OTHERWISE NOTED.																																																																														
<input checked="" type="checkbox"/> PARALLELISM	CONFIDENTIAL - PROPERTY OF																																																																														
<input checked="" type="checkbox"/> ROUNDNESS	POST LOKK PULLER, INC.																																																																														
<input checked="" type="checkbox"/> CIRCULARITY	Box 846, Cooperstown, NY 12825																																																																														
<input checked="" type="checkbox"/> PROFILE OF SURF.	PART NAME																																																																														
<input checked="" type="checkbox"/> FREE FORM	MODEL PHB113/PHB213																																																																														
<input checked="" type="checkbox"/> CONCENTRICITY	PART NO.																																																																														
<input checked="" type="checkbox"/> SQUARENESS	001934																																																																														
<input checked="" type="checkbox"/> TRUE POSITION	REV.																																																																														
<input checked="" type="checkbox"/> SURFACE FINISH	LONG JAWS																																																																														
<input checked="" type="checkbox"/> POSITION	SHEET 3 OF 3																																																																														
<input checked="" type="checkbox"/> CHAMFER SIZE	D																																																																														