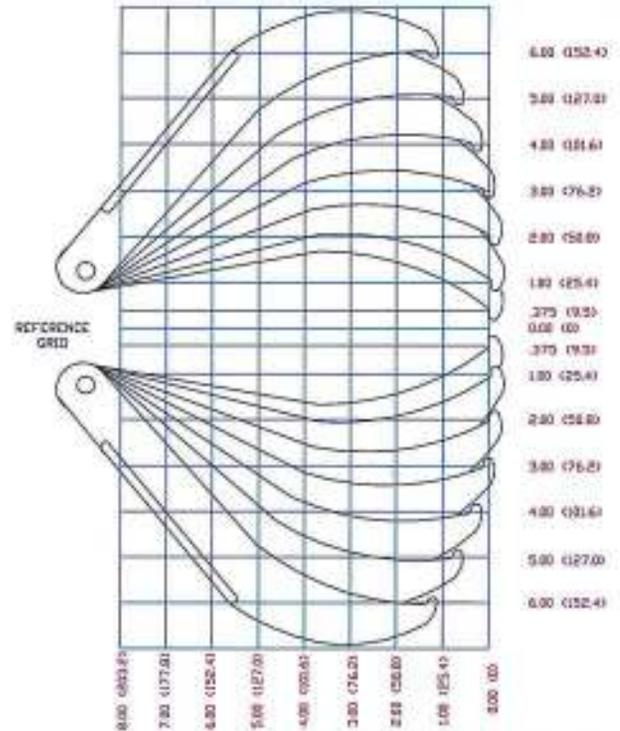
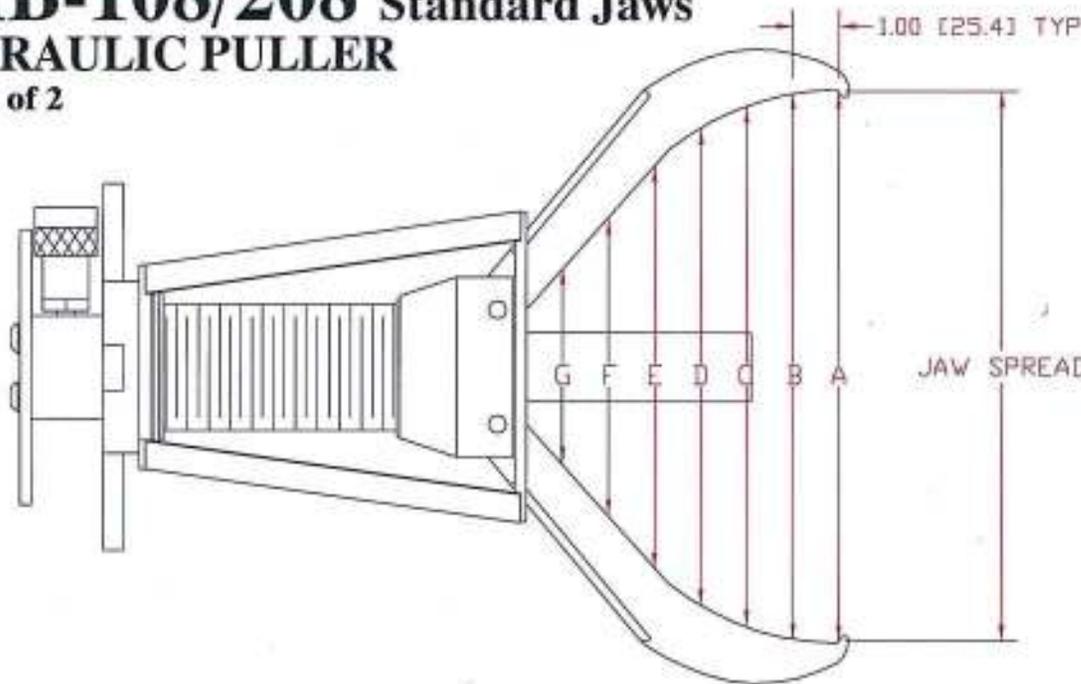


PHB-108/208 Standard Jaws HYDRAULIC PULLER

Page 1 of 2



JAW SPREAD	DIM A	DIM B	DIM C	DIM D	DIM E	DIM F
0.75 (19.0)	0.99 (25.1)	2.22 (56.3)	2.97 (75.4)	3.33 (84.5)	3.18 (80.7)	2.59 (65.7)
2.00 (50.8)	2.05 (52.1)	3.11 (78.9)	3.74 (94.9)	3.99 (101.3)	3.73 (94.7)	2.90 (73.6)
4.00 (101.6)	4.14 (105.1)	4.87 (123.6)	5.28 (134.1)	5.33 (135.3)	4.89 (124.2)	3.56 (90.4)
6.00 (152.4)	6.10 (154.9)	6.66 (169.1)	6.83 (173.4)	6.65 (168.9)	5.95 (151.1)	4.08 (103.6)
8.00 (203.2)	8.06 (204.7)	8.35 (212.0)	8.30 (210.8)	7.90 (200.6)	6.93 (176.0)	4.47 (113.7)
10.00 (254.0)	10.15 (257.8)	10.18 (258.5)	9.85 (250.1)	9.12 (231.6)	7.71 (195.8)	4.48 (113.7)
12.00 (304.8)	12.21 (310.1)	11.99 (304.5)	11.36 (288.5)	10.29 (261.3)	8.35 (212.0)	4.08 (103.6)

POSILOCK MODELS PHB108/PHB208 GEAR AND BEARING PULLERS

MODEL PHB108

10 TON (9.3 METRIC TONS)
3 JAW - STANDARD
RAM STROKE 6.13 (155.7)
REACH 8.00 (203.2)
SPREAD .75 (19.0 TO 12.0 (304.8))
WT. 16.1 (7.30kg)
RATED FOR 10000 PSI

MODEL PHB208

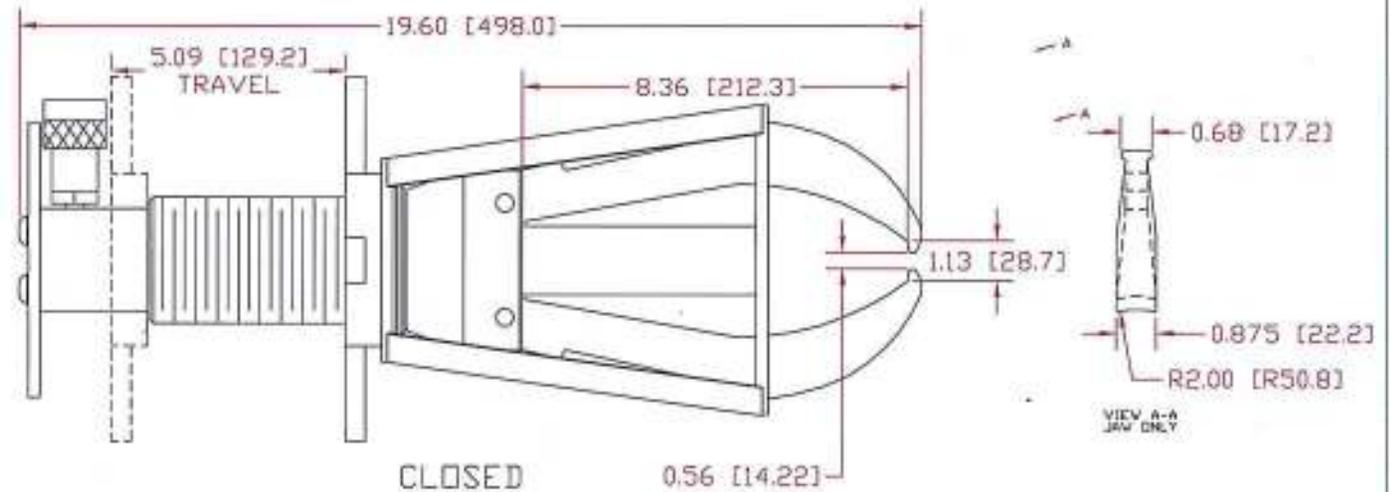
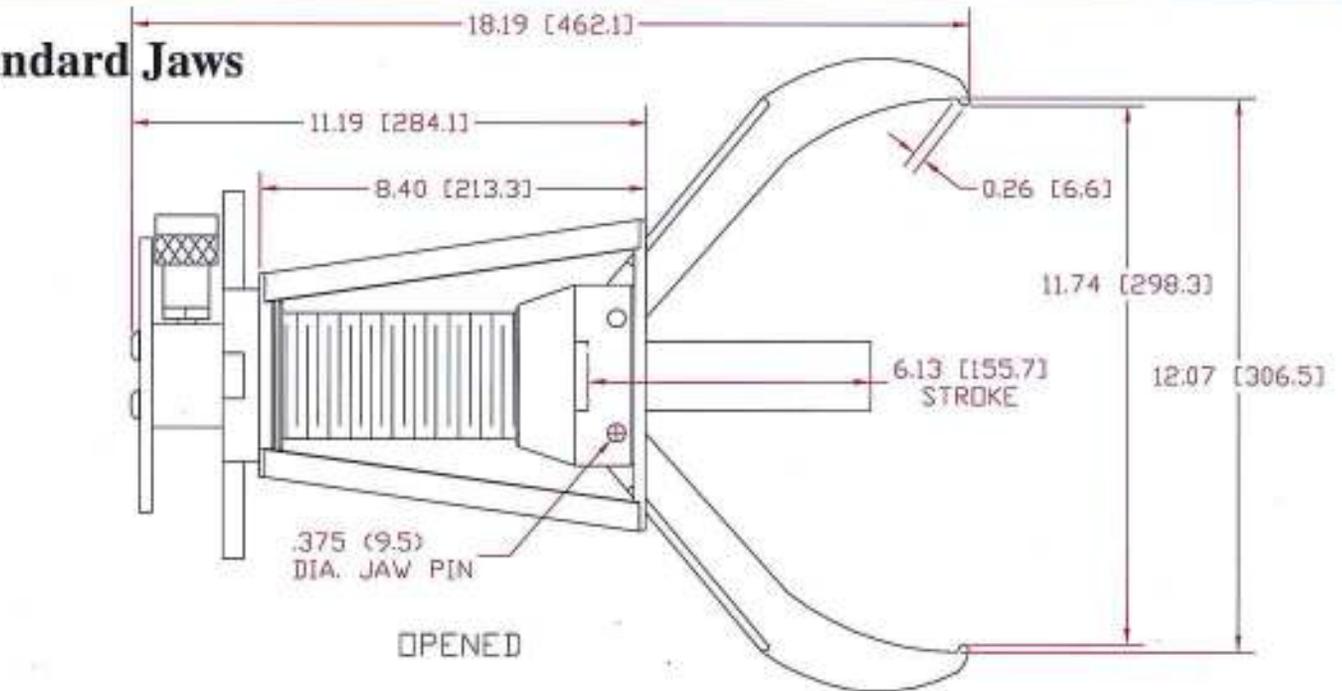
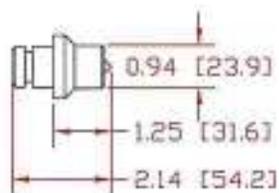
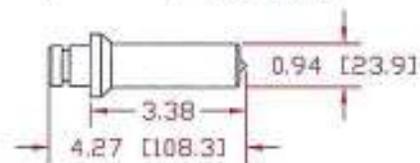
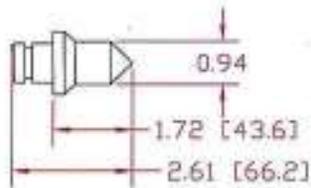
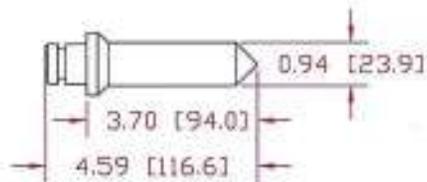
10 TON (9.3 METRIC TONS)
2 JAW - STANDARD
RAM STROKE 6.13 (155.7)
REACH 8.00 (203.2)
SPREAD .75 (19.0 TO 12.0 (304.8))
WT. 14.1 (6.40kg)
RATED FOR 10000 PSI

PHB-108/208 Standard Jaws

HYDRAULIC PULLER

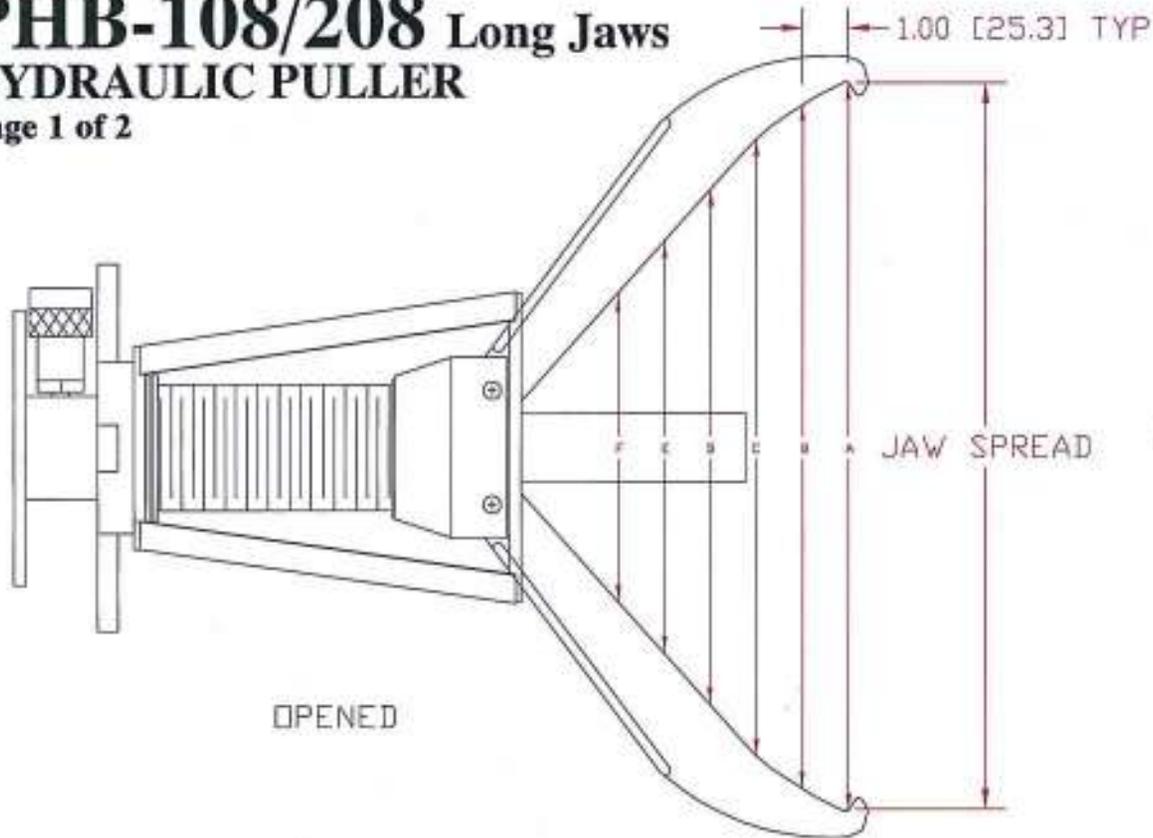
Page 2 of 2

RAM POINT SET

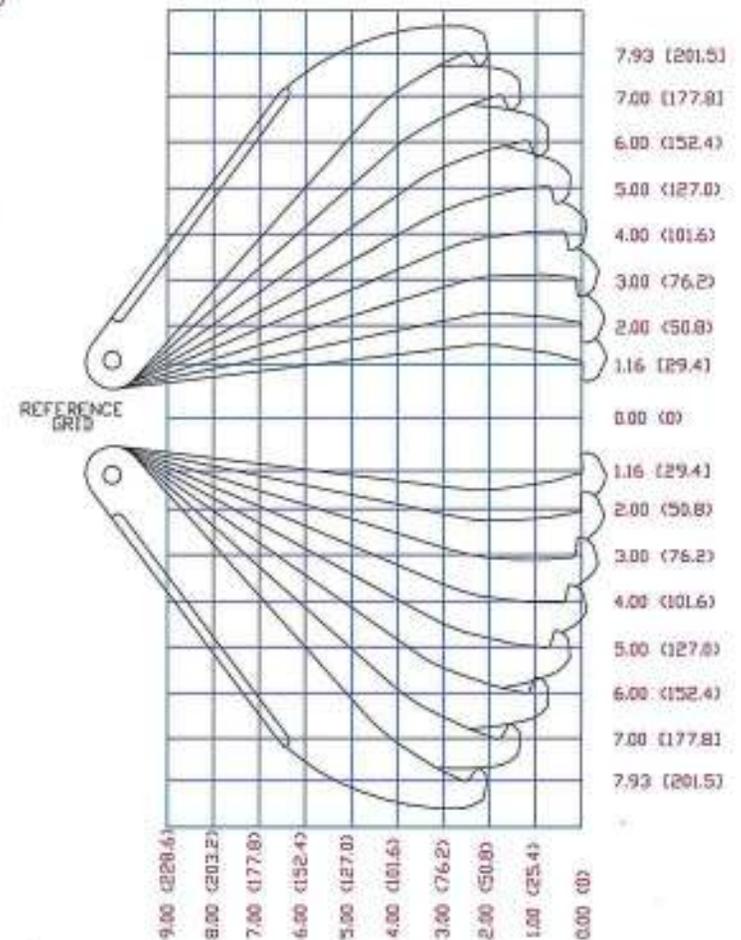


PHB-108/208 Long Jaws HYDRAULIC PULLER

Page 1 of 2



OPENED



JAW SPREAD	DIM A	DIM B	DIM C	DIM D	DIM E	DIM F
2.32 (58.9)	2.91 (73.8)	3.15 (80.0)	3.00 (76.2)	2.75 (69.9)	2.51 (63.7)	2.26 (57.5)
4.00 (101.6)	4.42 (112.2)	4.51 (114.4)	4.21 (106.8)	3.79 (96.3)	3.37 (85.7)	2.96 (75.1)
6.00 (152.4)	6.21 (157.7)	6.10 (155.0)	5.60 (142.2)	4.97 (126.3)	4.35 (110.4)	3.86 (98.1)
8.00 (203.2)	8.01 (203.5)	7.71 (195.9)	6.99 (177.3)	6.12 (155.6)	5.27 (133.8)	4.41 (112.1)
10.00 (254.0)	9.80 (248.9)	9.27 (235.4)	8.27 (210.2)	7.16 (182.0)	6.03 (153.1)	4.95 (125.6)
12.00 (304.8)	11.57 (293.9)	10.79 (274.0)	9.48 (240.8)	8.07 (205.0)	6.66 (169.1)	5.25 (133.3)
14.00 (355.6)	13.33 (338.5)	12.24 (310.9)	10.53 (267.5)	8.75 (222.1)	6.69 (176.8)	5.17 (131.4)
15.86 (402.8)	14.91 (378.8)	13.45 (341.7)	11.24 (285.5)	8.99 (228.4)	6.74 (171.2)	4.49 (114.1)

POSITIVE LOCK MODELS PHB108/PHB208 GEAR AND BEARING PULLERS

MODEL PHB108

10 TON (9.3 METRIC TONS)
3 JAW - LONG JAWS
RAM STROKE 6.13 (155.7)
REACH 9.80 (248.9)
SPREAD 2.32 (58.9) TO 15.86 (402.8)
WT. 17.6 (7.99kg)
RATED FOR 10000 PSI

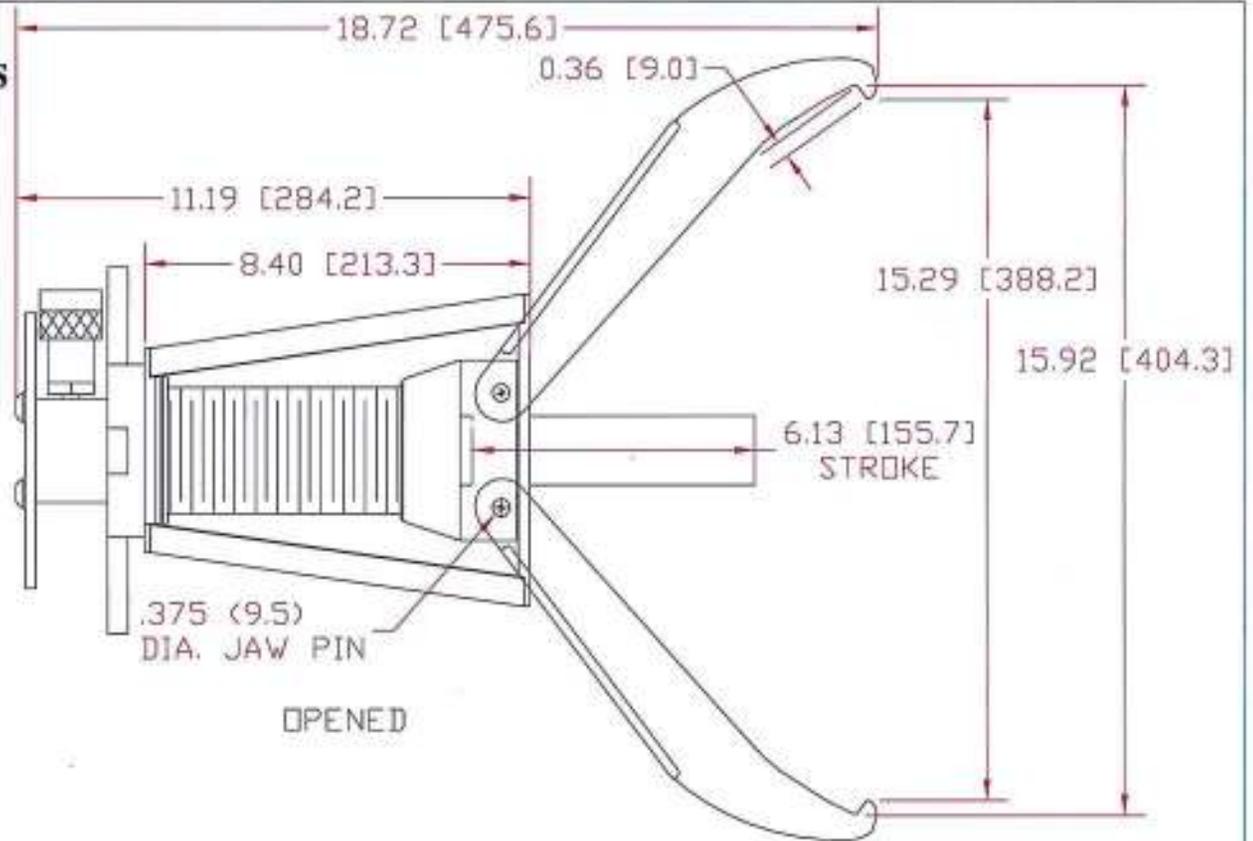
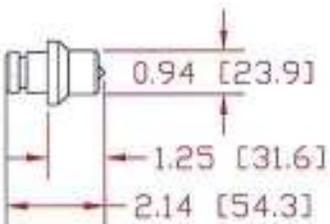
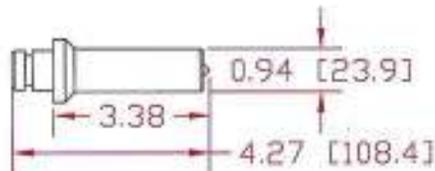
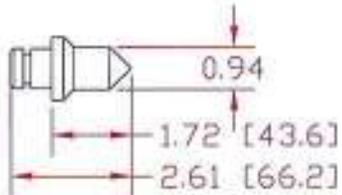
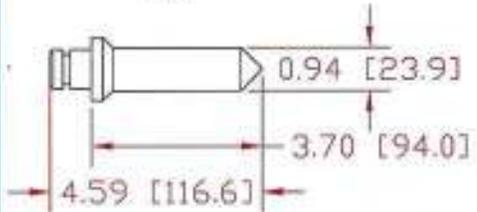
MODEL PHB208

10 TON (9.3 METRIC TONS)
2 JAW - LONG JAWS
RAM STROKE 6.0 (152.4)
REACH 9.80 (248.9)
SPREAD 2.32 (58.9) TO 15.86 (402.8)
WT. 15.1 (6.85kg)
RATED FOR 10000 PSI

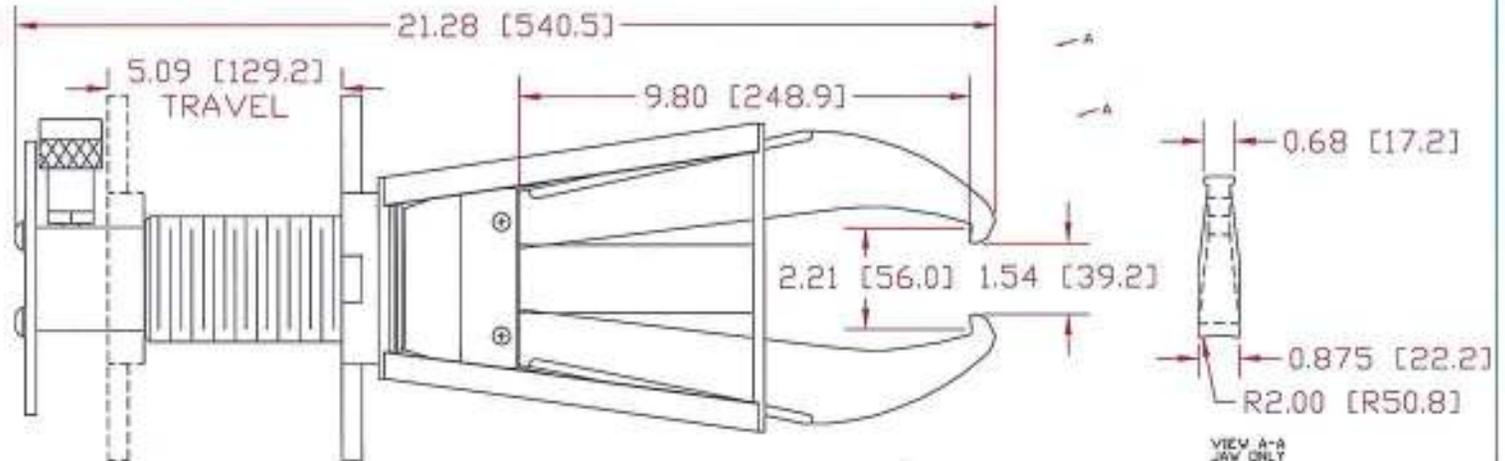
PHB-108/208 Long Jaws HYDRAULIC PULLER

Page 2 of 2

RAM POINT
SET



OPENED

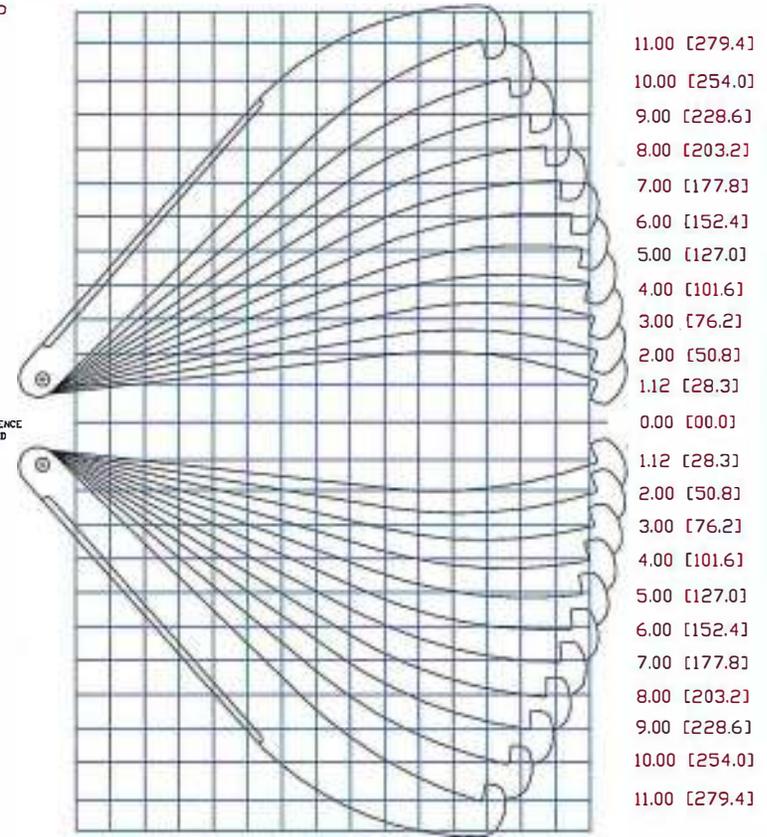
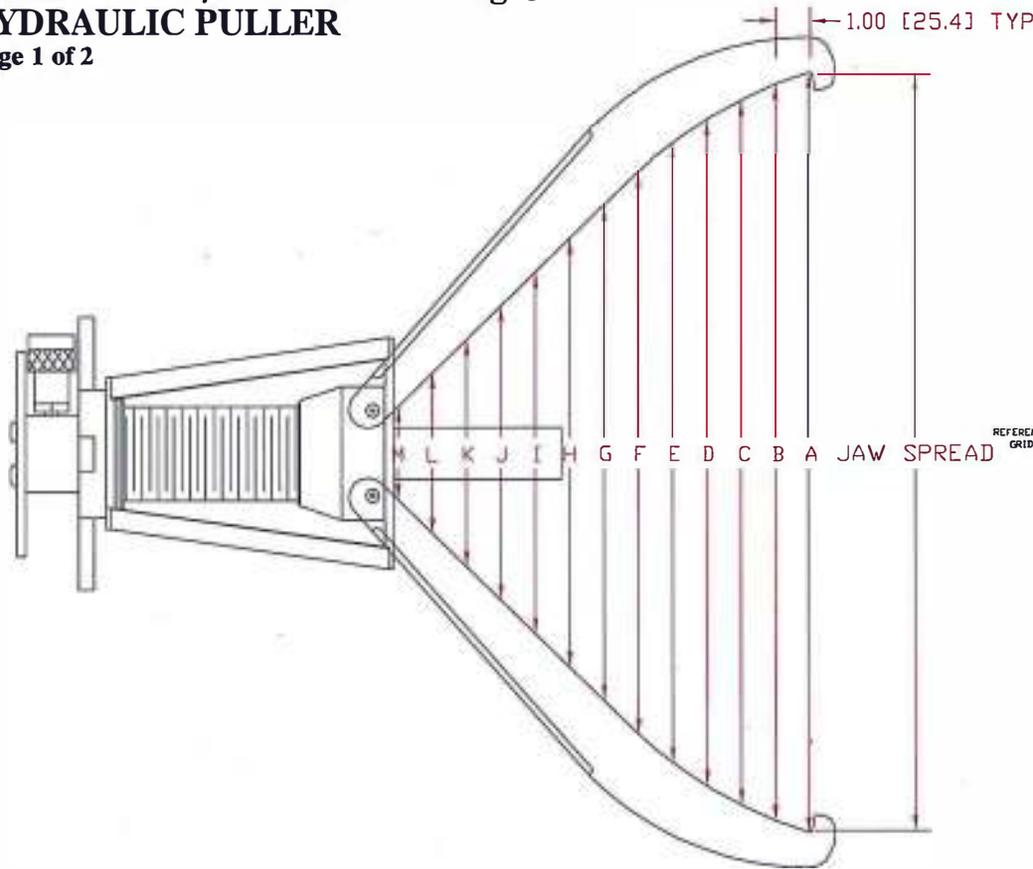


CLOSED

VIEW A-A
JAW ONLY

PHB-108/208 Extra Long Jaws HYDRAULIC PULLER

Page 1 of 2



JAW SPREAD	DIM A	DIM B	DIM C	DIM D	DIM E	DIM F	DIM G	DIM H	DIM J	DIM K	DIM L	DIM M
2.24 [56.8]	2.52 [64.0]	2.69 [68.3]	3.62 [91.9]	3.92 [99.6]	4.03 [102.4]	4.00 [101.6]	3.89 [98.8]	3.66 [93.0]	3.43 [87.1]	3.21 [81.5]	2.98 [75.7]	2.75 [69.9]
4.00 [101.6]	4.25 [108.0]	4.77 [121.2]	5.13 [130.3]	5.33 [135.4]	5.37 [138.4]	5.26 [133.8]	5.00 [127.0]	4.66 [118.4]	4.32 [109.7]	3.98 [101.1]	3.64 [92.5]	3.30 [83.8]
6.00 [152.4]	6.20 [157.5]	6.59 [167.4]	6.83 [173.5]	6.92 [175.8]	6.85 [174.0]	6.63 [168.4]	6.25 [158.8]	5.78 [146.8]	5.31 [134.9]	4.84 [122.9]	4.37 [111.0]	3.90 [99.1]
8.00 [203.2]	8.16 [207.3]	8.45 [214.6]	8.57 [217.7]	8.54 [216.9]	8.35 [212.1]	8.00 [203.2]	7.50 [190.5]	6.89 [175.0]	6.29 [159.8]	5.69 [144.5]	5.08 [129.0]	4.48 [113.8]
10.00 [254.0]	10.15 [257.8]	10.30 [261.6]	10.30 [261.6]	10.15 [257.8]	9.84 [249.9]	9.37 [238.0]	8.72 [221.5]	7.98 [202.7]	7.23 [183.6]	6.49 [164.8]	5.75 [146.1]	5.00 [127.0]
12.00 [304.8]	12.15 [308.6]	12.18 [309.4]	12.03 [305.6]	11.78 [299.2]	11.34 [288.0]	10.74 [272.8]	9.93 [252.2]	9.04 [229.6]	8.15 [207.0]	7.25 [184.2]	6.36 [161.5]	5.46 [138.7]
14.00 [355.6]	14.11 [358.4]	14.00 [355.6]	13.77 [349.8]	13.36 [339.3]	12.78 [324.6]	12.00 [304.8]	11.08 [281.4]	10.01 [254.3]	9.95 [252.7]	7.90 [200.7]	6.84 [173.7]	5.79 [147.1]
16.00 [406.4]	16.12 [409.4]	15.88 [403.4]	15.49 [393.4]	14.93 [379.2]	14.19 [360.4]	13.25 [336.6]	12.11 [307.6]	10.87 [276.1]	9.64 [244.9]	8.41 [213.6]	7.17 [182.1]	5.84 [150.9]
18.00 [457.2]	18.03 [458.0]	17.69 [449.3]	17.15 [435.6]	16.44 [417.6]	15.53 [394.5]	14.40 [365.8]	13.04 [331.2]	11.61 [294.9]	10.18 [258.6]	8.75 [222.3]	7.32 [185.9]	5.90 [149.9]
20.00 [508.0]	20.09 [510.3]	19.56 [496.8]	18.86 [479.0]	17.98 [456.7]	16.85 [428.0]	15.49 [393.4]	13.87 [352.3]	12.20 [309.9]	10.54 [267.7]	8.88 [225.6]	7.22 [183.4]	5.56 [141.2]
22.22 [564.4]	22.30 [566.4]	21.59 [548.4]	20.68 [525.3]	19.56 [496.8]	18.18 [461.8]	16.49 [418.8]	14.54 [369.3]	12.57 [319.3]	10.60 [269.2]	8.63 [219.2]	6.66 [169.2]	4.69 [119.1]

POSI LOCK MODELS PHB108/PHB208
GEAR AND BEARING PULLERS

<p>MODEL PHB108</p> <p>10 TON (9.3 METRIC TONS) 3 JAW - EXTRA LONG JAWS RAM STROKE 6.13 (155.7) REACH 16.00 (406) SPREAD 2.3 (58.42) TO 22.0 (558.8) W T. 24.2 [10.98kg] RATED FOR 10000 PSI</p>	<p>MODEL PHB208</p> <p>10 TON (9.3 METRIC TONS) 2 JAW - EXTRA LONG JAWS RAM STROKE 6.13 (155.7) REACH 16.00 (406) SPREAD 2.3 (58.42) TO 22.0 (558.8) WT. 19.5 [8.85kg] RATED FOR 10000 PSI</p>
--	--

PHB-108/208 Extra Long Jaws HYDRAULIC PULLER

Page 2 of 2

