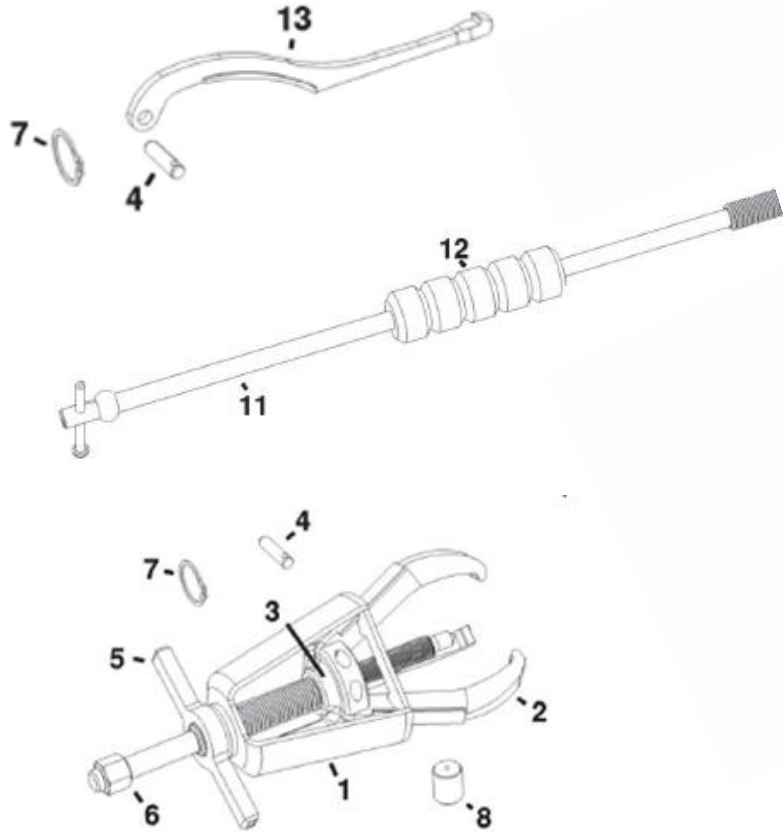


POSI LOCK™ PULLER INC

TK-107



TK-107

Description	Part #
Cage® - 3 Jaw	10753
2. External Jaw	10454
Jaw Head Assembly	10755
4. Pin	10456
5. T-Handle	10457
6. Center Bolt (Dia. 9/16")	10458
7. Snap Ring	10459
8. Tip Protector	P4
10. Internal Jaw	10554
11. Slide Rod	10561
12. Slide Hammer (2.5lb)	10562
13. Long Jaw	10554L