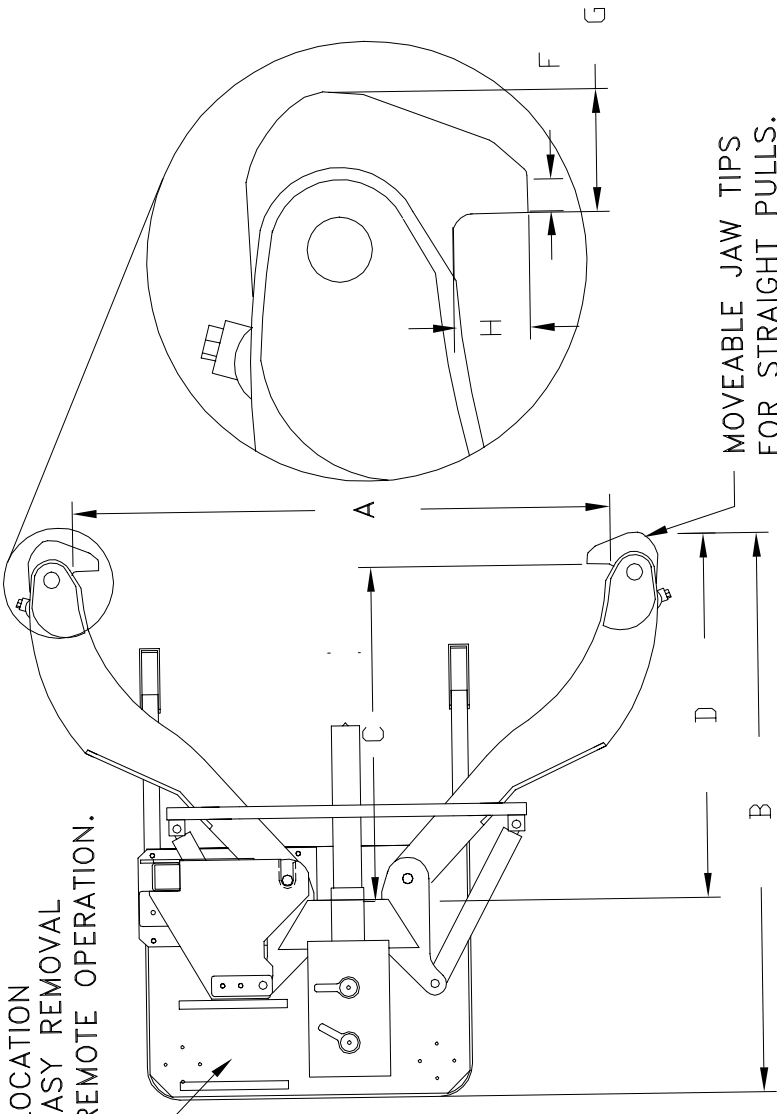
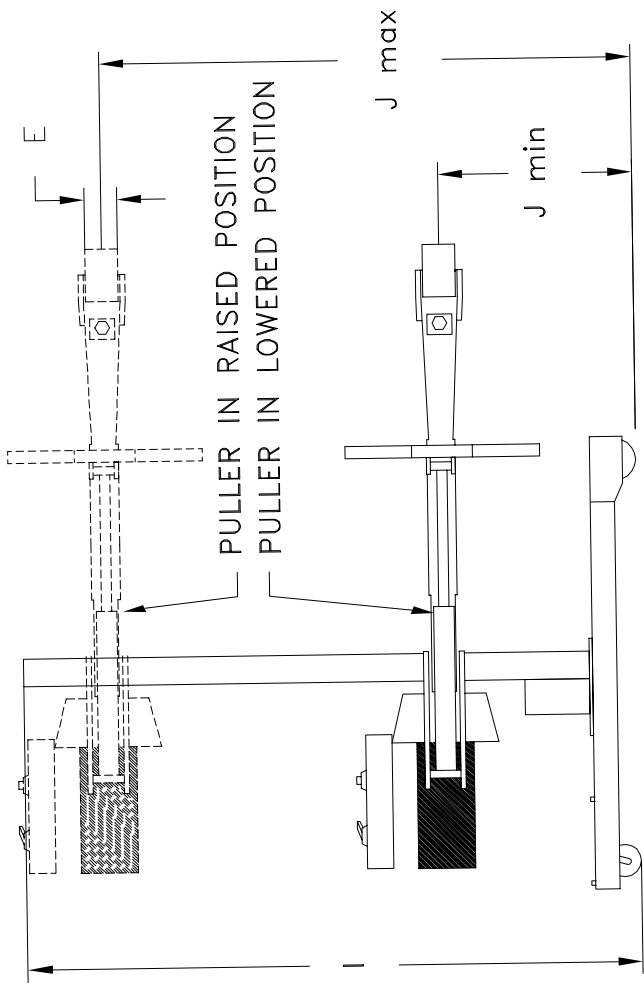


PUMP LOCATION FOR EASY REMOVAL IN REMOTE OPERATION.



PUSHING ADAPTORS			
MODEL	DIAMETER	LENGTH	
HT-1162	3.5	29	
HT-1163	3.5	19	
HT-1164	3.5	9	



- ROLLER CART WITH POWER LIFT
- ADJUSTABLE JAW TIPS
- PULLER EASILY DETACHES FROM CART
- SELF-CONTAINED UNIT

NUMBER OF JAWS	CAPACITY tons	MODEL NUMBER	SPREAD RANGE A	OVERALL LENGTH B	REACH MAX C	JAW LENGTH D	JAW THICK E	MIN TIP CLEARANCE F	MAX TIP CLEARANCE G	TIP DEPTH H	OVERALL HEIGHT I	HEIGHT		WEIGHT LBS
												Jmin	Jmax	
2	100	PH-102T	7.5-70.0	77.0	48.0	53.0	3.00	1.25	3.50	3.50	78.0	26.5	66.5	1700
3	100	PH-100T	7.5-70.0	77.0	48.0	53.0	3.00	1.25	3.50	3.50	78.0	26.5	66.5	2000
2/3	100	PH-123T	7.5-70.0	77.0	48.0	53.0	3.00	1.25	3.50	3.50	78.0	26.5	66.5	2000

100 TON 2&3JAW PULLER

