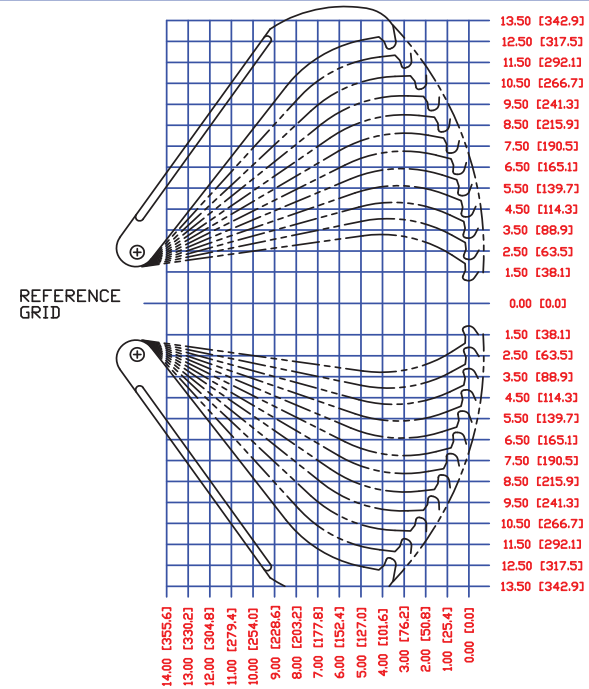
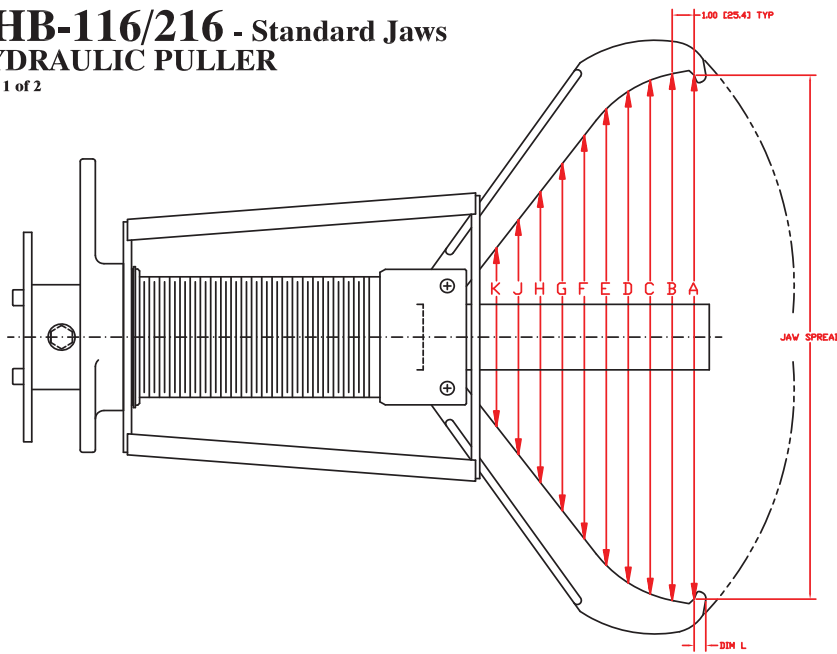


# PHB-116/216 - Standard Jaws HYDRAULIC PULLER

Page 1 of 2



| JAW SPREAD    | DIM A         | DIM B         | DIM C         | DIM D         | DIM E         | DIM F         | DIM G         | DIM H         | DIM J         | DIM K        | DIM L        |
|---------------|---------------|---------------|---------------|---------------|---------------|---------------|---------------|---------------|---------------|--------------|--------------|
| 3.00 [76.2]   | 6.57 [166.9]  | 6.44 [163.6]  | 6.15 [156.2]  | 5.86 [148.8]  | 5.56 [141.2]  | 5.27 [133.9]  | 4.98 [126.5]  | 4.68 [118.9]  | 4.39 [111.5]  | 4.10 [104.1] | .598 [15.19] |
| 5.00 [127.0]  | 8.08 [205.2]  | 7.84 [199.1]  | 7.41 [188.2]  | 6.98 [177.3]  | 6.55 [166.4]  | 6.12 [155.4]  | 5.68 [144.3]  | 5.25 [133.4]  | 4.82 [122.4]  | 4.39 [111.5] | .602 [15.29] |
| 7.00 [177.8]  | 9.61 [244.1]  | 9.28 [235.7]  | 8.71 [221.2]  | 8.13 [206.5]  | 7.56 [192.0]  | 6.98 [177.3]  | 6.41 [162.8]  | 5.83 [148.1]  | 5.26 [133.6]  | 4.68 [118.9] | .603 [15.32] |
| 9.00 [228.6]  | 11.16 [283.5] | 10.75 [273.1] | 10.05 [255.3] | 9.32 [236.7]  | 8.60 [218.4]  | 7.88 [200.2]  | 7.15 [181.6]  | 6.43 [163.3]  | 5.71 [145.0]  | 4.99 [126.7] | .602 [15.29] |
| 11.00 [279.4] | 12.75 [323.9] | 12.28 [311.9] | 11.46 [291.1] | 10.58 [268.7] | 9.70 [246.4]  | 8.82 [224.0]  | 7.94 [201.7]  | 7.06 [179.3]  | 6.18 [157.0]  | 5.30 [134.6] | .598 [15.19] |
| 13.00 [330.2] | 14.39 [365.5] | 13.88 [352.6] | 12.97 [329.4] | 13.38 [302.8] | 11.92 [276.1] | 10.87 [249.4] | 9.82 [222.8]  | 8.77 [196.1]  | 7.72 [169.4]  | 6.67 [142.7] | .591 [15.01] |
| 15.00 [381.0] | 16.08 [408.4] | 15.56 [395.2] | 14.62 [371.3] | 13.38 [339.9] | 12.15 [308.6] | 10.91 [277.1] | 9.68 [245.9]  | 8.44 [214.4]  | 7.21 [183.1]  | 5.97 [151.6] | .581 [14.76] |
| 17.00 [431.8] | 17.85 [453.4] | 17.33 [440.2] | 16.39 [416.3] | 15.01 [381.3] | 13.57 [344.7] | 12.12 [307.8] | 10.68 [271.3] | 9.24 [234.7]  | 7.80 [198.1]  | 6.36 [161.5] | .568 [14.43] |
| 19.00 [482.6] | 19.68 [499.9] | 19.19 [487.4] | 18.29 [464.6] | 16.85 [428.0] | 15.18 [385.6] | 13.50 [342.9] | 11.82 [300.2] | 10.14 [257.6] | 8.46 [214.9]  | 6.78 [172.2] | .552 [14.02] |
| 21.00 [533.4] | 21.58 [548.1] | 21.15 [537.2] | 20.32 [516.1] | 18.97 [481.8] | 17.06 [433.3] | 15.10 [383.5] | 13.15 [334.0] | 11.19 [284.2] | 9.23 [234.4]  | 7.28 [184.9] | .532 [13.51] |
| 23.00 [584.2] | 23.57 [598.7] | 23.21 [589.5] | 22.47 [570.7] | 21.26 [540.0] | 19.35 [491.5] | 17.05 [433.1] | 14.76 [374.9] | 12.46 [316.5] | 10.16 [258.1] | 7.86 [199.6] | .507 [12.88] |
| 25.00 [635.0] | 25.00 [635.0] | 25.13 [638.3] | 24.51 [622.6] | 23.45 [595.6] | 21.78 [553.2] | 19.24 [488.7] | 16.56 [420.6] | 13.88 [352.6] | 11.20 [284.5] | 8.51 [216.2] | .481 [12.22] |

## POSI LOCK MODELS PHB116\PHB216 GEAR AND BEARING PULLER

| MODEL PHB116                      | MODEL PHB216                      |
|-----------------------------------|-----------------------------------|
| 50 TON [45.6 METRIC TONS]         | 50 TON [45.6 METRIC TONS]         |
| 3 JAW - STANDARD                  | 2 JAW - STANDARD                  |
| RAM STROKE 13.25 [336.6]          | RAM STROKE 13.25 [336.6]          |
| REACH 14.0 [355.6]                | REACH 14.0 [355.6]                |
| SPREAD 3.0 [76.2] TO 25.0 [635.0] | SPREAD 3.0 [76.2] TO 25.0 [635.0] |
| WT. 202 Lbs. [91 kg]              | WT. 192 Lbs. [87 kg]              |
| RATED FOR 10000 PSI               | RATED FOR 10000 PSI               |

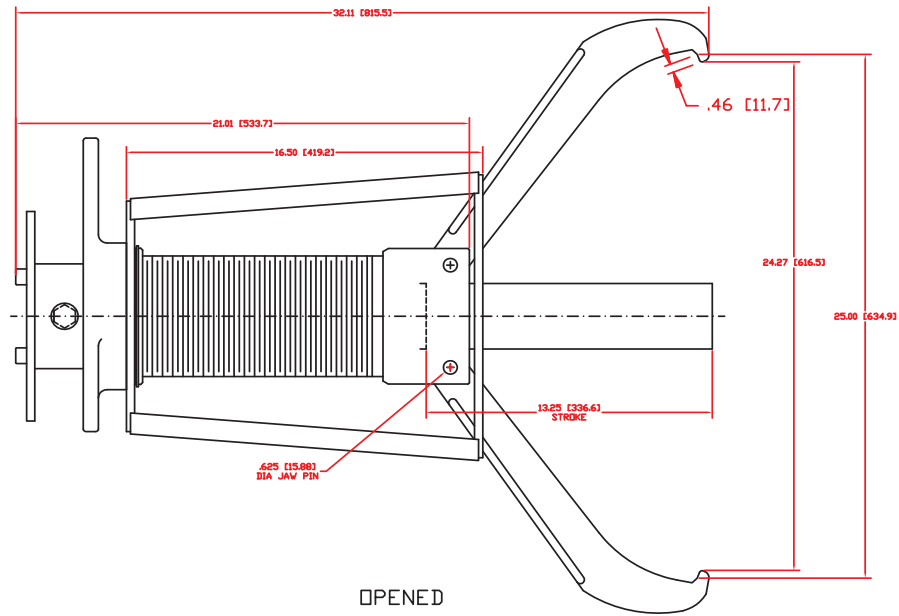
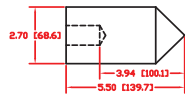
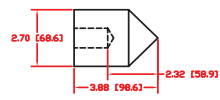
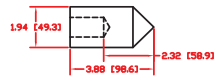
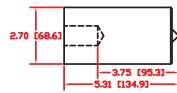
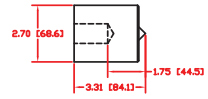
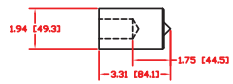
| ITEM NO. | QTY. | PART NO. | DESCRIPTION | NOTES |
|----------|------|----------|-------------|-------|
| 1        |      |          | PLATES      |       |
| 2        |      |          | ROCKERS     |       |
| 3        |      |          | ROCKERS     |       |
| 4        |      |          | ROCKERS     |       |
| 5        |      |          | ROCKERS     |       |
| 6        |      |          | ROCKERS     |       |
| 7        |      |          | ROCKERS     |       |
| 8        |      |          | ROCKERS     |       |
| 9        |      |          | ROCKERS     |       |
| 10       |      |          | ROCKERS     |       |
| 11       |      |          | ROCKERS     |       |
| 12       |      |          | ROCKERS     |       |
| 13       |      |          | ROCKERS     |       |
| 14       |      |          | ROCKERS     |       |
| 15       |      |          | ROCKERS     |       |
| 16       |      |          | ROCKERS     |       |
| 17       |      |          | ROCKERS     |       |
| 18       |      |          | ROCKERS     |       |
| 19       |      |          | ROCKERS     |       |
| 20       |      |          | ROCKERS     |       |
| 21       |      |          | ROCKERS     |       |
| 22       |      |          | ROCKERS     |       |
| 23       |      |          | ROCKERS     |       |
| 24       |      |          | ROCKERS     |       |
| 25       |      |          | ROCKERS     |       |
| 26       |      |          | ROCKERS     |       |
| 27       |      |          | ROCKERS     |       |
| 28       |      |          | ROCKERS     |       |
| 29       |      |          | ROCKERS     |       |
| 30       |      |          | ROCKERS     |       |
| 31       |      |          | ROCKERS     |       |
| 32       |      |          | ROCKERS     |       |
| 33       |      |          | ROCKERS     |       |
| 34       |      |          | ROCKERS     |       |
| 35       |      |          | ROCKERS     |       |
| 36       |      |          | ROCKERS     |       |
| 37       |      |          | ROCKERS     |       |
| 38       |      |          | ROCKERS     |       |
| 39       |      |          | ROCKERS     |       |
| 40       |      |          | ROCKERS     |       |
| 41       |      |          | ROCKERS     |       |
| 42       |      |          | ROCKERS     |       |
| 43       |      |          | ROCKERS     |       |
| 44       |      |          | ROCKERS     |       |
| 45       |      |          | ROCKERS     |       |
| 46       |      |          | ROCKERS     |       |
| 47       |      |          | ROCKERS     |       |
| 48       |      |          | ROCKERS     |       |
| 49       |      |          | ROCKERS     |       |
| 50       |      |          | ROCKERS     |       |
| 51       |      |          | ROCKERS     |       |
| 52       |      |          | ROCKERS     |       |
| 53       |      |          | ROCKERS     |       |
| 54       |      |          | ROCKERS     |       |
| 55       |      |          | ROCKERS     |       |
| 56       |      |          | ROCKERS     |       |
| 57       |      |          | ROCKERS     |       |
| 58       |      |          | ROCKERS     |       |
| 59       |      |          | ROCKERS     |       |
| 60       |      |          | ROCKERS     |       |
| 61       |      |          | ROCKERS     |       |
| 62       |      |          | ROCKERS     |       |
| 63       |      |          | ROCKERS     |       |
| 64       |      |          | ROCKERS     |       |
| 65       |      |          | ROCKERS     |       |
| 66       |      |          | ROCKERS     |       |
| 67       |      |          | ROCKERS     |       |
| 68       |      |          | ROCKERS     |       |
| 69       |      |          | ROCKERS     |       |
| 70       |      |          | ROCKERS     |       |
| 71       |      |          | ROCKERS     |       |
| 72       |      |          | ROCKERS     |       |
| 73       |      |          | ROCKERS     |       |
| 74       |      |          | ROCKERS     |       |
| 75       |      |          | ROCKERS     |       |
| 76       |      |          | ROCKERS     |       |
| 77       |      |          | ROCKERS     |       |
| 78       |      |          | ROCKERS     |       |
| 79       |      |          | ROCKERS     |       |
| 80       |      |          | ROCKERS     |       |
| 81       |      |          | ROCKERS     |       |
| 82       |      |          | ROCKERS     |       |
| 83       |      |          | ROCKERS     |       |
| 84       |      |          | ROCKERS     |       |
| 85       |      |          | ROCKERS     |       |
| 86       |      |          | ROCKERS     |       |
| 87       |      |          | ROCKERS     |       |
| 88       |      |          | ROCKERS     |       |
| 89       |      |          | ROCKERS     |       |
| 90       |      |          | ROCKERS     |       |
| 91       |      |          | ROCKERS     |       |
| 92       |      |          | ROCKERS     |       |
| 93       |      |          | ROCKERS     |       |
| 94       |      |          | ROCKERS     |       |
| 95       |      |          | ROCKERS     |       |
| 96       |      |          | ROCKERS     |       |
| 97       |      |          | ROCKERS     |       |
| 98       |      |          | ROCKERS     |       |
| 99       |      |          | ROCKERS     |       |
| 100      |      |          | ROCKERS     |       |

# PHB-116/216 - Standard Jaws

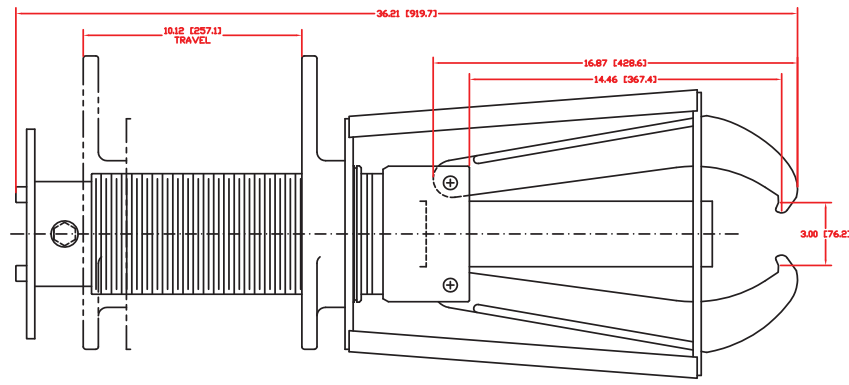
## HYDRAULIC PULLER

Page 2 of 2

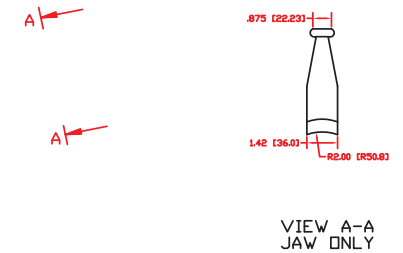
### RAM POINT SET



OPENED



CLOSED



VIEW A-A  
JAW ONLY

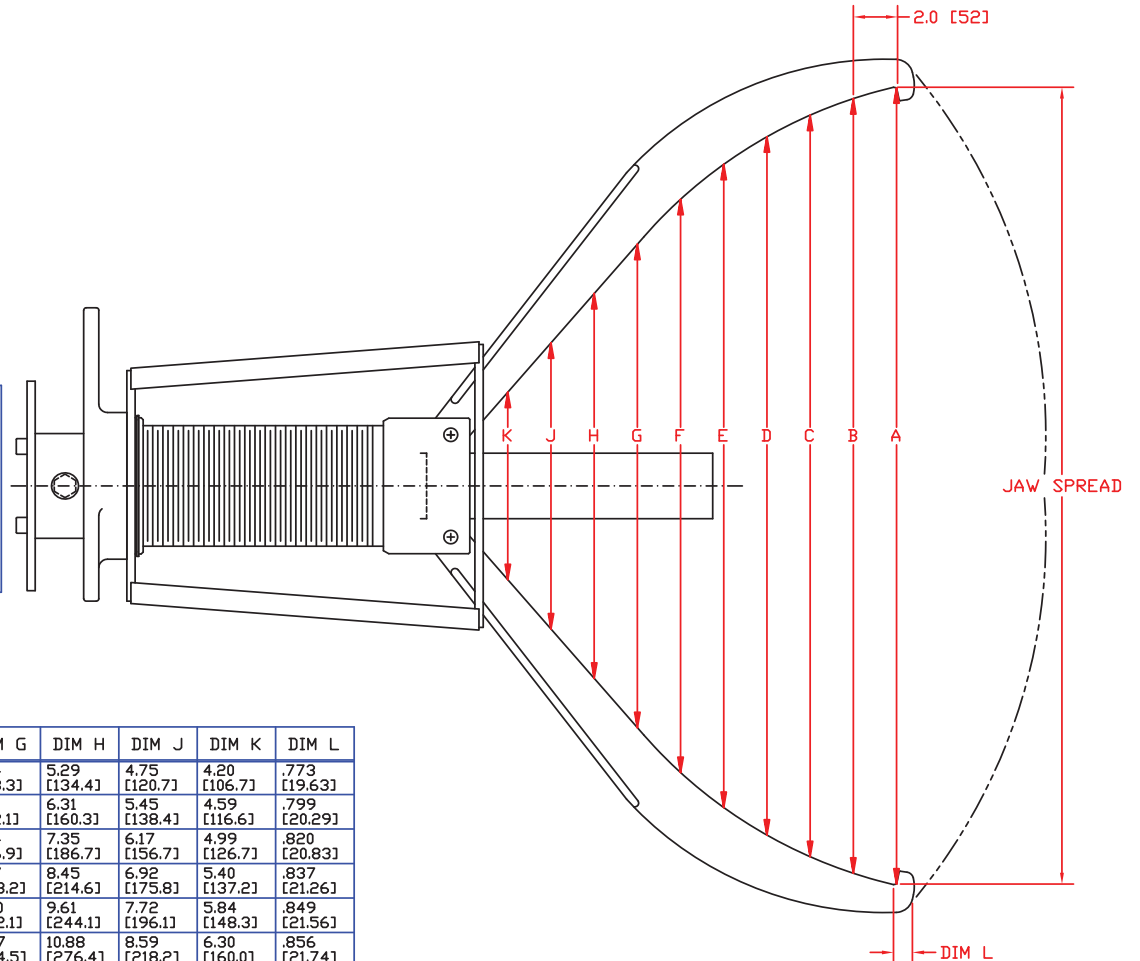
| ITEM NO.   | QTY. | PART NO. | DESCRIPTION | NOTES   |
|--|------|----------|-------------|---------|
| <ul style="list-style-type: none"> <li><input type="checkbox"/> FINISHES</li> <li><input type="checkbox"/> STRAIGHTEN</li> <li><input type="checkbox"/> HOLE POSITION</li> <li><input type="checkbox"/> HOLE SIZE</li> <li><input type="checkbox"/> HOLE LOCATION</li> <li><input type="checkbox"/> HOLE DEPTH</li> <li><input type="checkbox"/> HOLE TOLERANCE</li> <li><input type="checkbox"/> HOLE FINISH</li> <li><input type="checkbox"/> HOLE POSITION</li> <li><input type="checkbox"/> HOLE SIZE</li> <li><input type="checkbox"/> HOLE LOCATION</li> <li><input type="checkbox"/> HOLE DEPTH</li> <li><input type="checkbox"/> HOLE TOLERANCE</li> <li><input type="checkbox"/> HOLE FINISH</li> </ul> |      |          |             |         |
| MATERIAL:  |      | DRAWN:   | AE/T/SB     | 20MAY91 |
| SCALE:   |      | CHECKED: |             |         |
| DIMENSIONS ARE IN INCHES UNLESS OTHERWISE NOTED.   |      |          |             |         |
| IN 1/4 INCH IN MULTIPLE UNLESS OTHERWISE NOTED.  |      |          |             |         |
| ALL DIMENSIONS ARE TO CENTER UNLESS OTHERWISE NOTED.   |      |          |             |         |
| ALL DIMENSIONS ARE TO CENTER UNLESS OTHERWISE NOTED.   |      |          |             |         |
| ALL DIMENSIONS ARE TO CENTER UNLESS OTHERWISE NOTED.   |      |          |             |         |
| <p style="text-align: center;"><b>POST LOCK PULLER, INC.</b></p> <p style="text-align: center;">Box 256, Cooperstown, NY 12523</p>   |      |          |             |         |
| PART NAME:   |      | PART NO. |             | REV.    |
| MODEL  |      | 001935   |             |         |
| PHB116/PHB216  |      | SHEET    |             | 2 OF 2  |

# PHB-116/216 Long Jaws HYDRAULIC PULLER

Page 1 of 3

POSI LOCK MODELS  
PHB116\PHB216 LONG JAWS  
GEAR AND BEARING PULLER

| MODEL PHB116                      | MODEL PHB216                      |
|-----------------------------------|-----------------------------------|
| 50 TON [45.6 METRIC TONS]         | 50 TON [45.6 METRIC TONS]         |
| 3 LONG JAWS                       | 2 LONG JAWS                       |
| RAM STROKE 13.25 [336.6]          | RAM STROKE 13.25 [336.6]          |
| REACH 25.0 [635.0]                | REACH 25.0 [635.0]                |
| SPREAD 2.0 [50.8] TO 38.0 [965.2] | SPREAD 2.0 [50.8] TO 38.0 [965.2] |
| WT. 241 Lbs. [109.8 kg]           | WT. 218 Lbs. 99.2 kg]             |
| RATED FOR 10000 PSI               | RATED FOR 10000 PSI               |



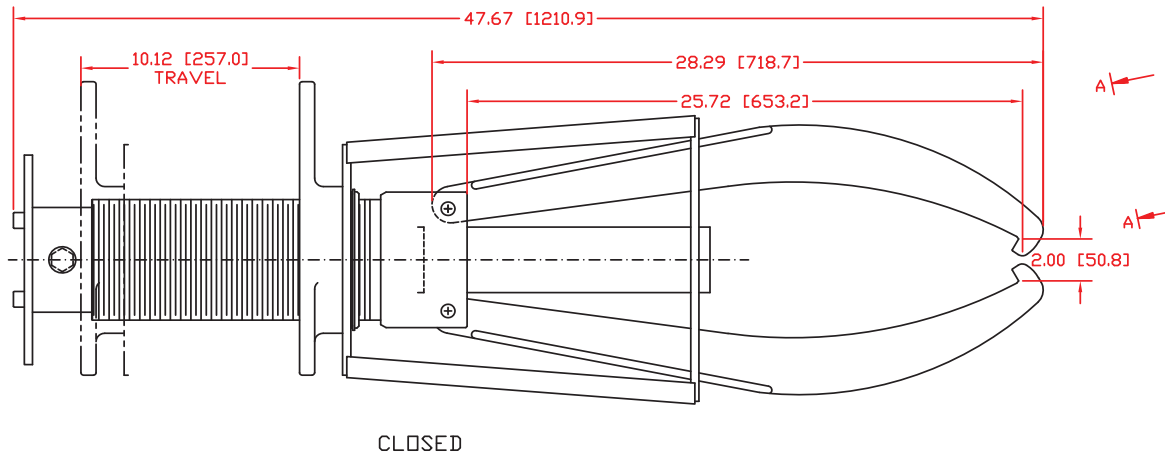
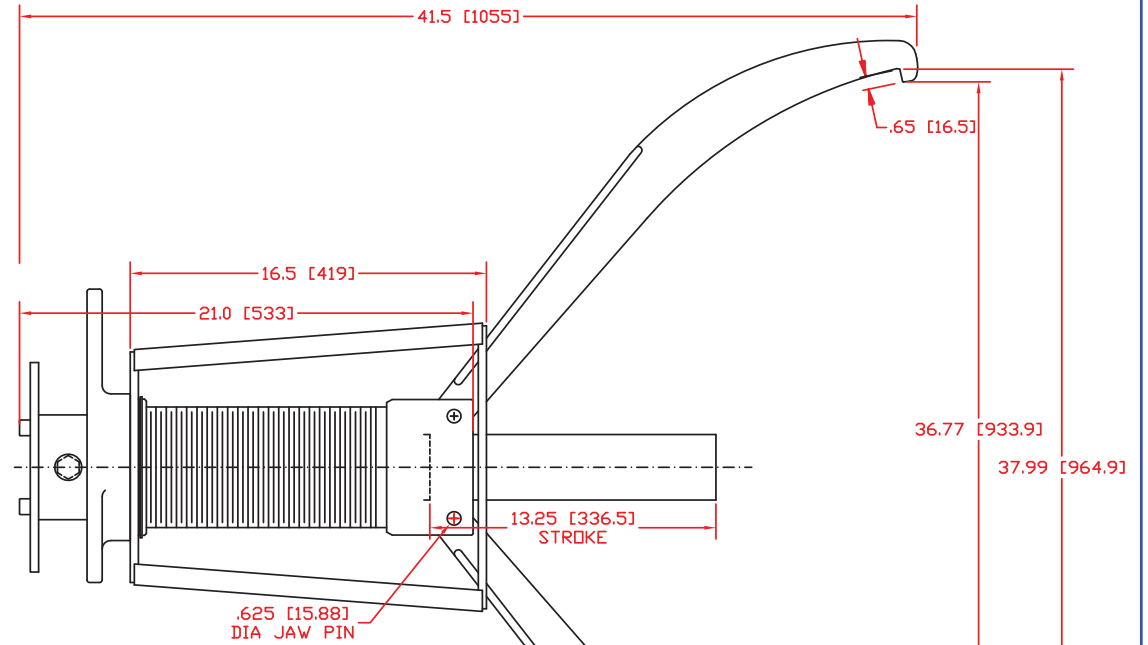
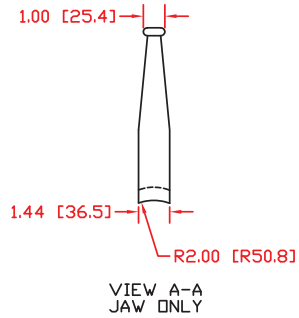
| JAW SPREAD    | DIM A         | DIM B         | DIM C         | DIM D         | DIM E         | DIM F         | DIM G         | DIM H         | DIM J         | DIM K        | DIM L        |
|---------------|---------------|---------------|---------------|---------------|---------------|---------------|---------------|---------------|---------------|--------------|--------------|
| 2.00 [50.8]   | 6.42 [163.1]  | 7.10 [180.3]  | 7.41 [188.2]  | 7.35 [186.7]  | 6.93 [176.0]  | 6.39 [162.3]  | 5.84 [148.3]  | 5.29 [134.4]  | 4.75 [120.7]  | 4.20 [106.7] | .773 [19.63] |
| 6.00 [152.4]  | 9.50 [241.3]  | 9.90 [251.5]  | 9.93 [252.2]  | 9.59 [243.6]  | 8.89 [225.8]  | 8.03 [204.0]  | 7.17 [182.1]  | 6.31 [160.3]  | 5.45 [138.4]  | 4.59 [116.6] | .799 [20.29] |
| 10.00 [254.0] | 12.58 [319.5] | 12.71 [322.8] | 12.48 [317.0] | 11.88 [301.8] | 10.90 [276.9] | 9.72 [246.9]  | 8.54 [216.9]  | 7.35 [186.7]  | 6.17 [156.7]  | 4.99 [126.7] | .820 [20.83] |
| 14.00 [355.6] | 15.69 [398.5] | 15.59 [396.0] | 15.12 [384.0] | 14.26 [362.2] | 13.01 [330.5] | 11.49 [291.8] | 9.97 [253.2]  | 8.45 [214.6]  | 6.92 [175.8]  | 5.40 [137.2] | .837 [21.26] |
| 18.00 [457.2] | 18.90 [480.1] | 18.57 [471.7] | 17.86 [453.6] | 16.77 [426.0] | 15.25 [387.4] | 13.38 [339.9] | 11.50 [292.1] | 9.61 [244.1]  | 7.72 [196.1]  | 5.84 [148.3] | .849 [21.56] |
| 22.00 [558.8] | 22.23 [564.6] | 21.70 [551.2] | 20.78 [527.8] | 19.45 [494.0] | 17.68 [449.1] | 15.46 [392.7] | 13.17 [334.5] | 10.88 [276.4] | 8.59 [218.2]  | 6.30 [160.0] | .856 [21.74] |
| 26.00 [660.4] | 25.75 [654.1] | 25.03 [635.8] | 23.91 [607.3] | 22.37 [568.2] | 20.34 [516.6] | 17.78 [451.6] | 15.04 [382.0] | 12.30 [312.4] | 9.56 [242.8]  | 6.82 [173.2] | .858 [21.79] |
| 30.00 [762.0] | 29.52 [749.8] | 28.63 [694.2] | 27.33 [694.2] | 25.58 [649.7] | 23.33 [592.6] | 20.47 [519.9] | 17.20 [436.9] | 13.94 [354.1] | 10.67 [271.0] | 7.40 [188.0] | .854 [21.69] |
| 34.00 [863.6] | 33.61 [853.7] | 32.57 [827.3] | 31.12 [790.4] | 29.20 [741.7] | 26.74 [679.2] | 23.61 [599.7] | 19.80 [502.9] | 15.90 [403.9] | 11.99 [304.5] | 8.09 [205.5] | .843 [21.41] |
| 38.00 [965.2] | 38.00 [965.2] | 36.97 [939.0] | 35.39 [898.9] | 33.32 [846.3] | 30.69 [779.5] | 27.35 [694.7] | 23.07 [586.0] | 18.36 [466.3] | 13.66 [347.0] | 8.95 [227.3] | .824 [20.93] |

| ITEM NO.  | QTY. | PART NO. | DESCRIPTION | NOTES  |
|---|------|----------|-------------|--------|
| <input type="checkbox"/> FLATNESS<br><input type="checkbox"/> STRAIGHTNESS<br><input type="checkbox"/> ANGULARITY<br><input type="checkbox"/> PERPENDICULARITY<br><input type="checkbox"/> PARALLELISM<br><input type="checkbox"/> CIRCULARITY<br><input type="checkbox"/> PROFILE OF SURF.<br><input type="checkbox"/> FREE FORM<br><input type="checkbox"/> THE POSITION<br><input type="checkbox"/> FORMULAS, ETC. |      |          |             |        |
| MATERIAL:   |      | SCALE:   | DRAWN:      | AE/TSS |
| CHECKED:  |      | EIMAY91  |             |        |
| DIMENSIONS ARE IN INCHES UNLESS OTHERWISE NOTED.<br>DIMENSIONS ARE IN MILLIMETERS UNLESS OTHERWISE NOTED.<br>ALL DIMENSIONS UNLESS OTHERWISE SPECIFIED ARE TO BE MAINTAINED TO THE CLOSEST TOLERANCE PER ASME Y14.5M-1994.  |      |          |             |        |
| CONFIDENTIAL - PROPERTY OF<br><b>POSI LOCK PULLER, INC.</b><br>Folsom, CA 95630   |      |          |             |        |
| PART NAME:  |      | PART NO. | REV.        |        |
| MODEL PHB116/216  |      | 001936   | D           |        |
| LONG JAWS   |      | SHEET    | 1 OF 3      |        |



# PHB-116/216 Long Jaws HYDRAULIC PULLER

Page 3 of 3



| ITEM NO.   | QTY. | PART NO.                          | DESCRIPTION | NOTES |
|--|------|-----------------------------------|-------------|-------|
| <ul style="list-style-type: none"> <li><input type="checkbox"/> FLATNESS</li> <li><input type="checkbox"/> STRAIGHTNESS</li> <li><input type="checkbox"/> ANGULARITY</li> <li><input type="checkbox"/> PERPENDICULARITY</li> <li><input type="checkbox"/> PARALLELISM</li> <li><input type="checkbox"/> ROUNDNESS</li> <li><input type="checkbox"/> CIRCULARITY</li> <li><input type="checkbox"/> PROFILE OF SURF.</li> <li><input type="checkbox"/> SLOPE</li> <li><input type="checkbox"/> CONCENTRICITY</li> <li><input type="checkbox"/> SQUARENESS</li> <li><input type="checkbox"/> TRUE POSITION</li> <li><input type="checkbox"/> FREE-FORM</li> </ul> |      |                                   |             |       |
| MATERIAL:  |      | DRAWN: AE/TSS<br>CHECKED: ZIMAY91 |             |       |
| SCALE:   |      | CHECKED:                          |             |       |
| DIMENSIONS ARE IN INCHES DIMENSIONS AND UNITS IN 1/2 INCHES IN MILLIMETERS UNLESS OTHERWISE NOTED.   |      |                                   |             |       |
| ALL DIMENSIONS UNLESS OTHERWISE SPECIFIED SHALL BE TO THE NEAREST .005 INCHES (0.125 MM) UNLESS OTHERWISE SPECIFIED.   |      |                                   |             |       |
|  |      |                                   |             |       |
| PART NAME:   |      | PART NO. 001936                   |             |       |
| MODEL PHB116/216   |      | REV. 001936                       |             |       |
| LONG JAWS  |      | SHEET 3 OF 3                      |             |       |