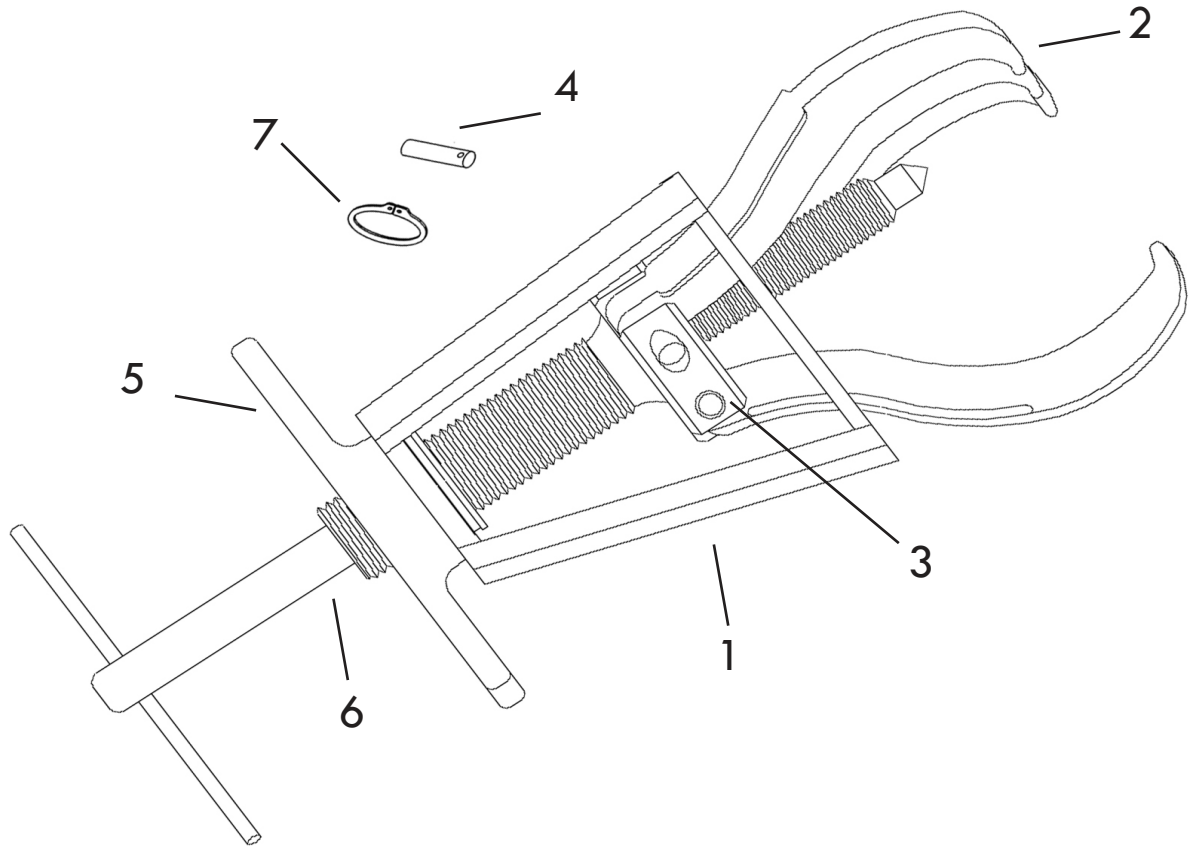


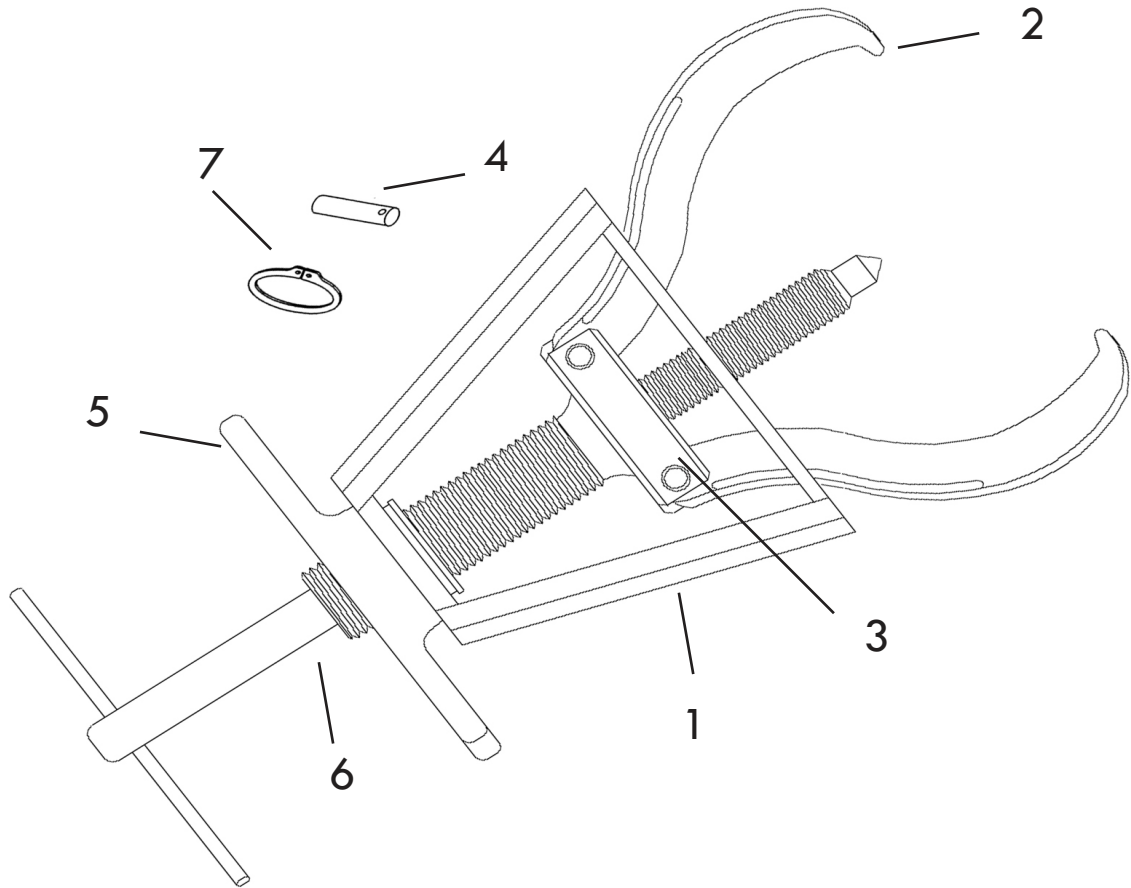
## 102 PARTS BREAKDOWN



All Posi Lock Pullers are parts replaceable.  
 See part numbers below.

Description	Part #
1. Cage® - 3 Jaw	10253
2. Jaw	10254
3. Jaw Head Assembly - 3 Jaw	10255
4. Pin	10256
5. T-Handle	10257
6. Center Bolt (dia. 5/16")	10258
7. Snap Ring	10259

## 202 PARTS BREAKDOWN



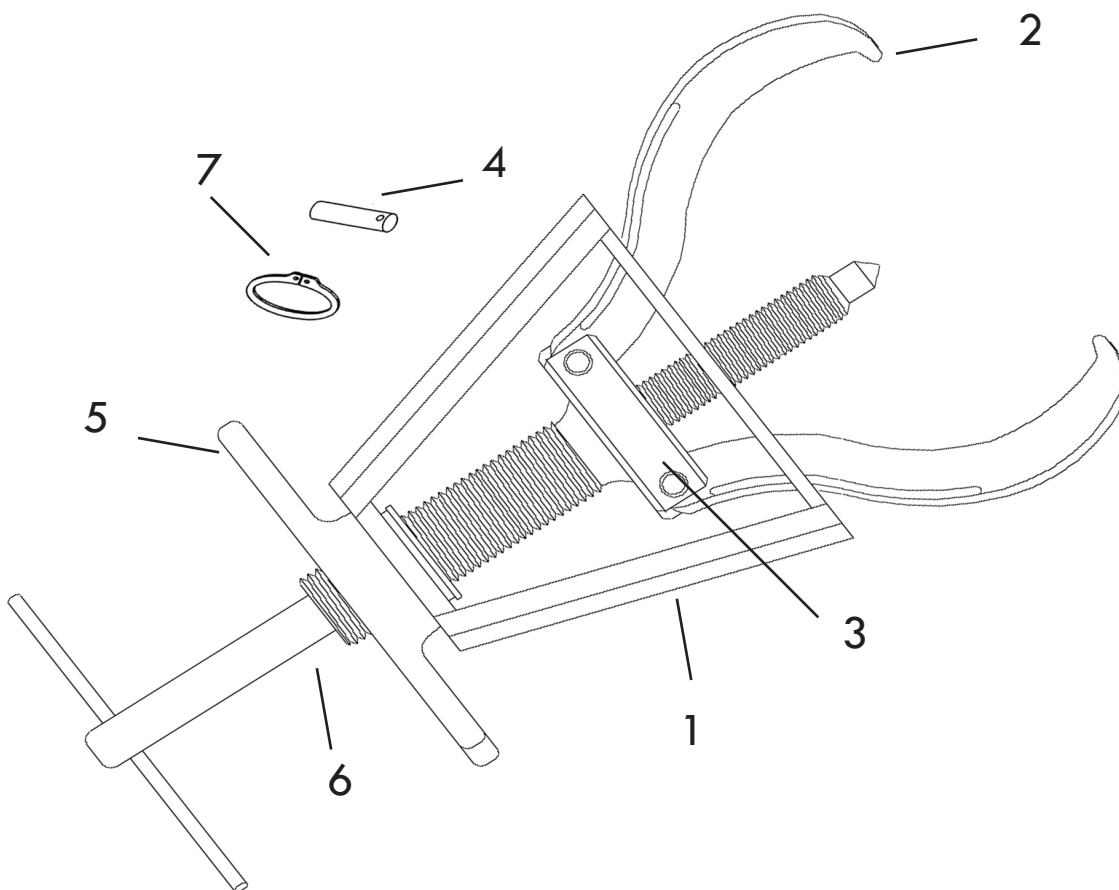
All Posi Lock Pullers are parts replaceable.  
 See part numbers below.

Description	Part #
1. Cage® - 2 Jaw	20253
2. Jaw	10254
3. Jaw Head Assembly - 2 Jaw	20255
4. Pin	10256
5. T-Handle	10257
6. Center Bolt (dia. 5/16")	10258
7. Snap Ring	10259





## 203 PARTS BREAKDOWN



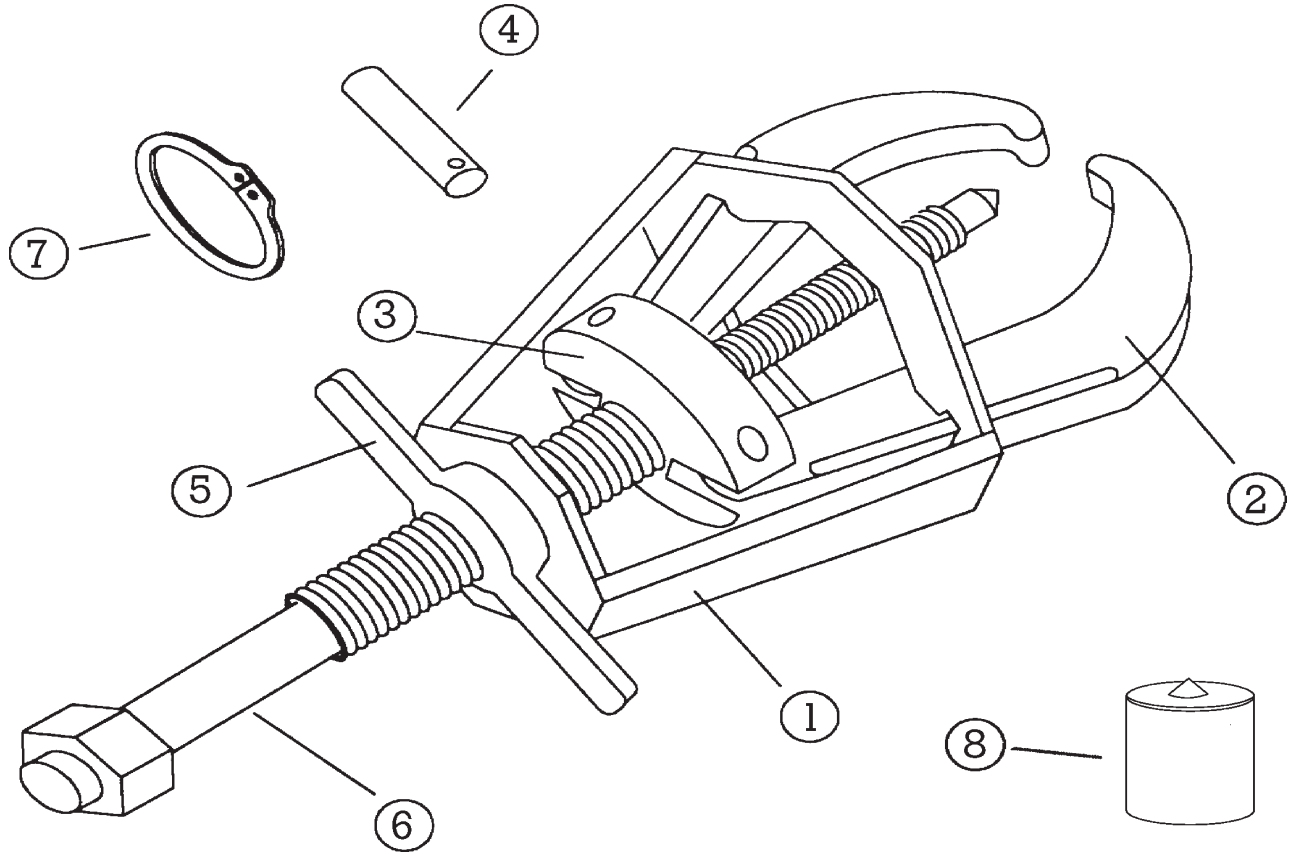
All Posi Lock Pullers are parts replaceable.  
See part numbers below.

Description	Part #
1. Cage® - 2 Jaw	20353
2. Jaw	10354
3. Jaw Head Assembly - 2 Jaw	20355
4. Pin	10356
5. T-Handle	10357
6. Center Bolt (dia. 3/8")	10358
7. Snap Ring	10359



# 204 PARTS BREAKDOWN

**Safety. Speed. Strength. Safety. Speed. Strength. Safety. Speed. Strength. Safety. Speed. Strength. Safety. Speed. Strength. Safety. Speed. Strength. Safety. Speed. Strength. Safety. Speed. Strength. Safety.**



All Posi Lock Pullers are parts replaceable.  
 See part numbers below.

Description	Part #
<b>1. Cage® - 2 Jaw</b>	20453
<b>2. Jaw</b>	10454
<b>3. Jaw Head Assembly - 2 Jaw</b>	20455
<b>4. Pin</b>	10456
<b>5. T-Handle</b>	10457
<b>6. Center Bolt (Dia. 9/16")</b>	10458
<b>7. Snap Ring</b>	10459
<b>8. Tip Protector</b>	P4

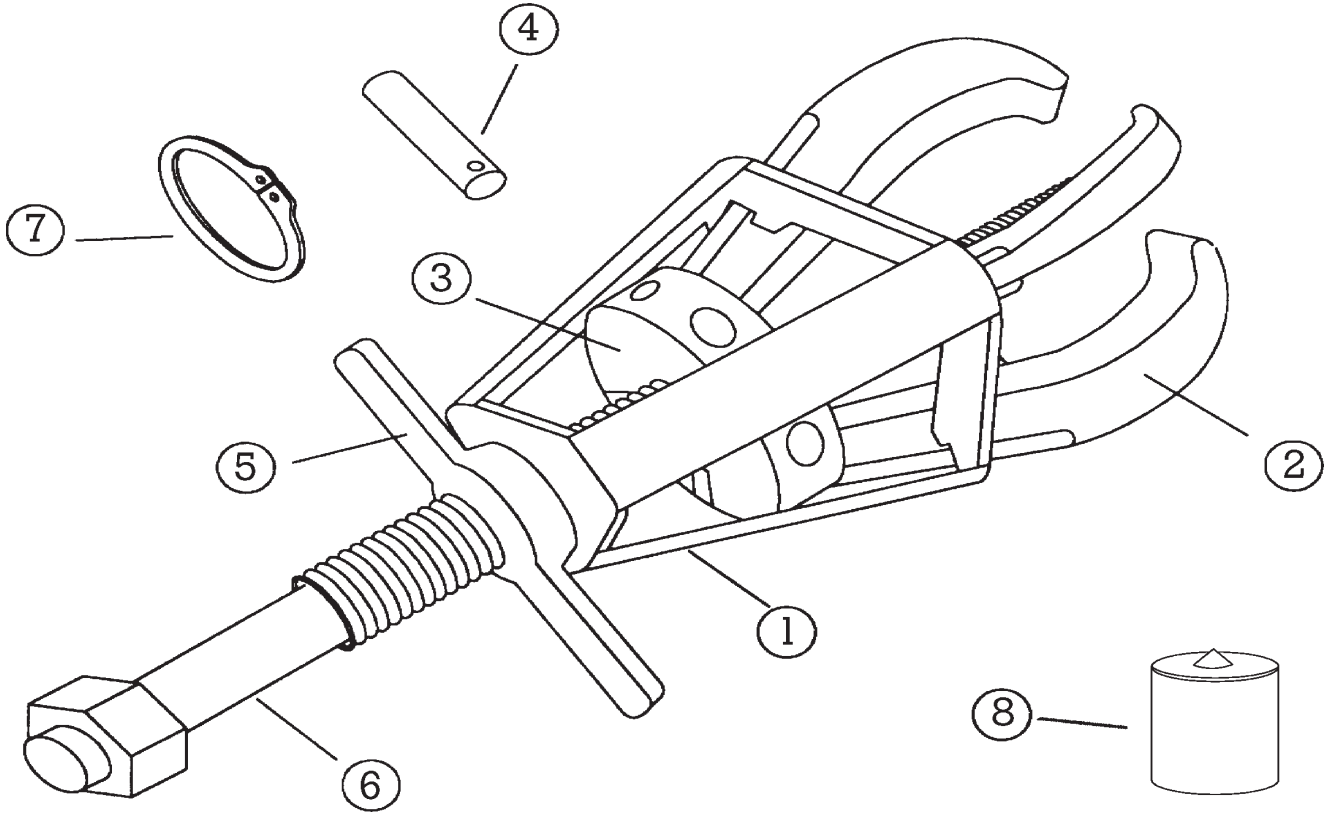
\*Optional accessories are also available







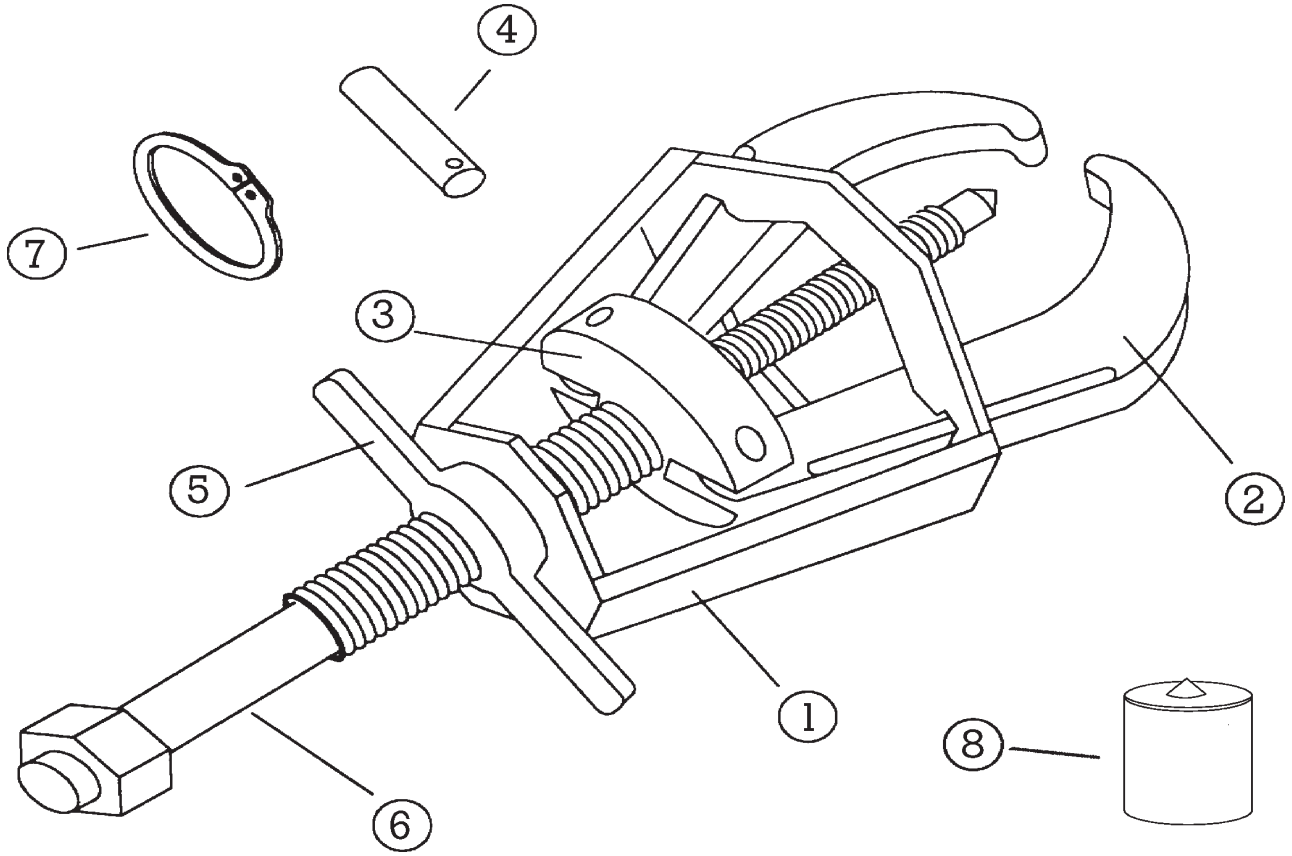
## 108 PARTS BREAKDOWN



All Posi Lock Pullers are parts replaceable.  
 See part numbers below.

Description	Part #
<b>1. Cage® - 3 Jaw</b>	10853
<b>2. Jaw</b>	10854
<b>3. Jaw Head Assembly - 3 Jaw</b>	10855
<b>4. Pin</b>	11056
<b>5. T-Handle</b>	11057
<b>6. Center Bolt (Dia. 3/4")</b>	10858
<b>7. Snap Ring</b>	11059
<b>8. Tip Protector</b>	P10
*Optional accessories are also available	

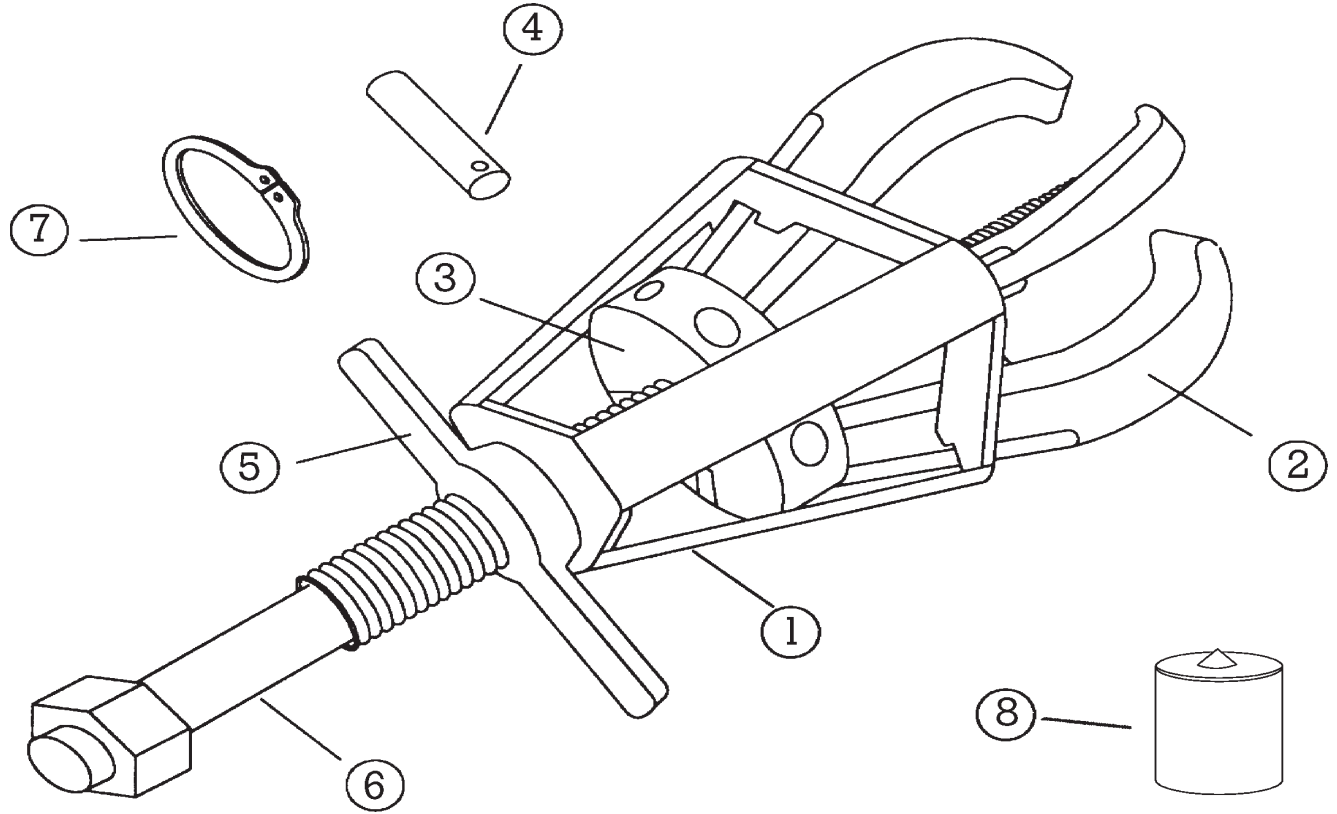
## 208 PARTS BREAKDOWN



All Posi Lock Pullers are parts replaceable.  
See part numbers below.

Description	Part #
1. Cage® - 2 Jaw	20853
2. Jaw	10854
3. Jaw Head Assembly - 2 Jaw	20855
4. Pin	11056
5. T-Handle	11057
6. Center Bolt (Dia. 3/4")	10858
7. Snap Ring	11059
8. Tip Protector	P10
*Optional accessories are also available	

## 110 PARTS BREAKDOWN

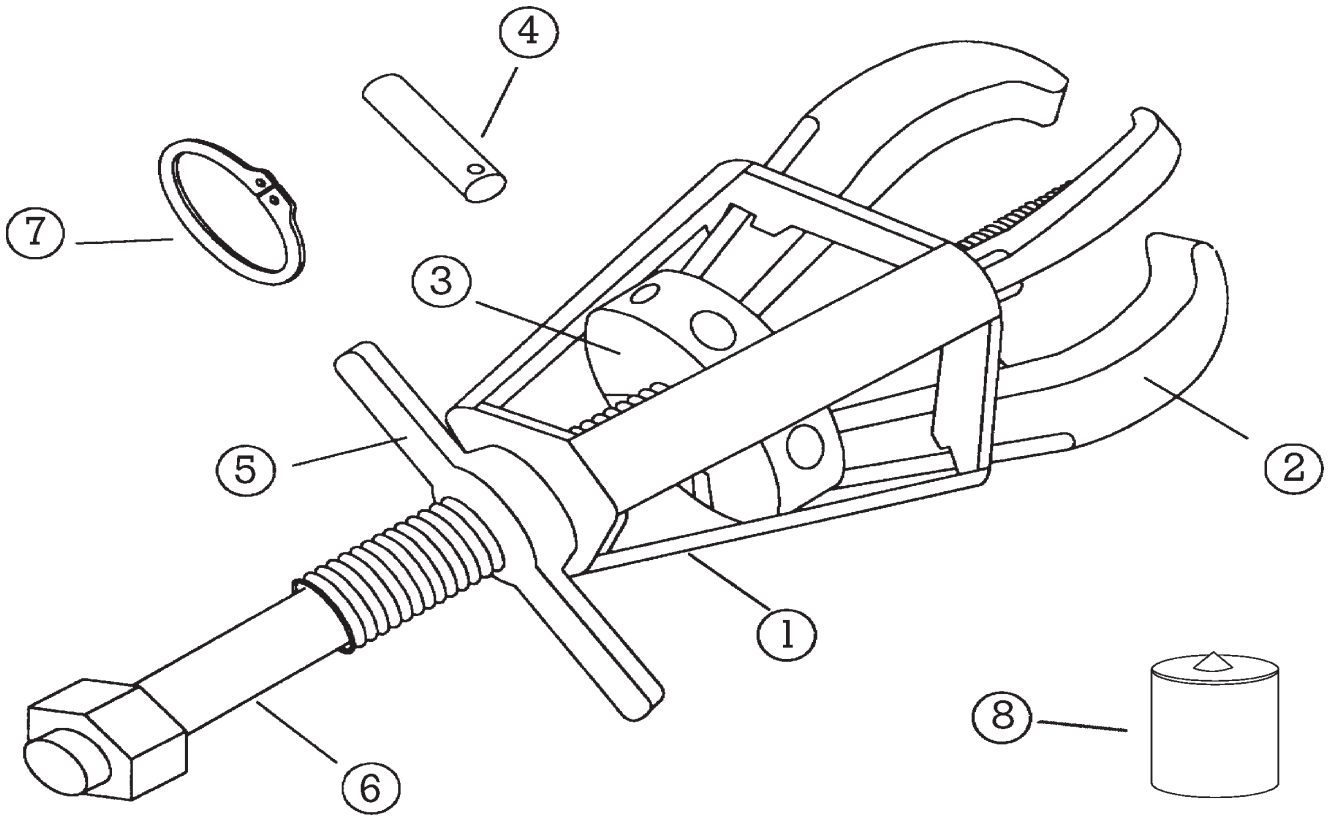


All Posi Lock Pullers are parts replaceable.  
 See part numbers below.

Description	Part #
1. Cage® - 3 Jaw	11053
2. Jaw	11054
3. Jaw Head Assembly - 3 Jaw	11055
4. Pin	11056
5. T-Handle	11057
6. Center Bolt (Dia. 3/4")	11058
7. Snap Ring	11059
8. Tip Protector	P10
*Optional accessories are also available	



## 113 PARTS BREAKDOWN



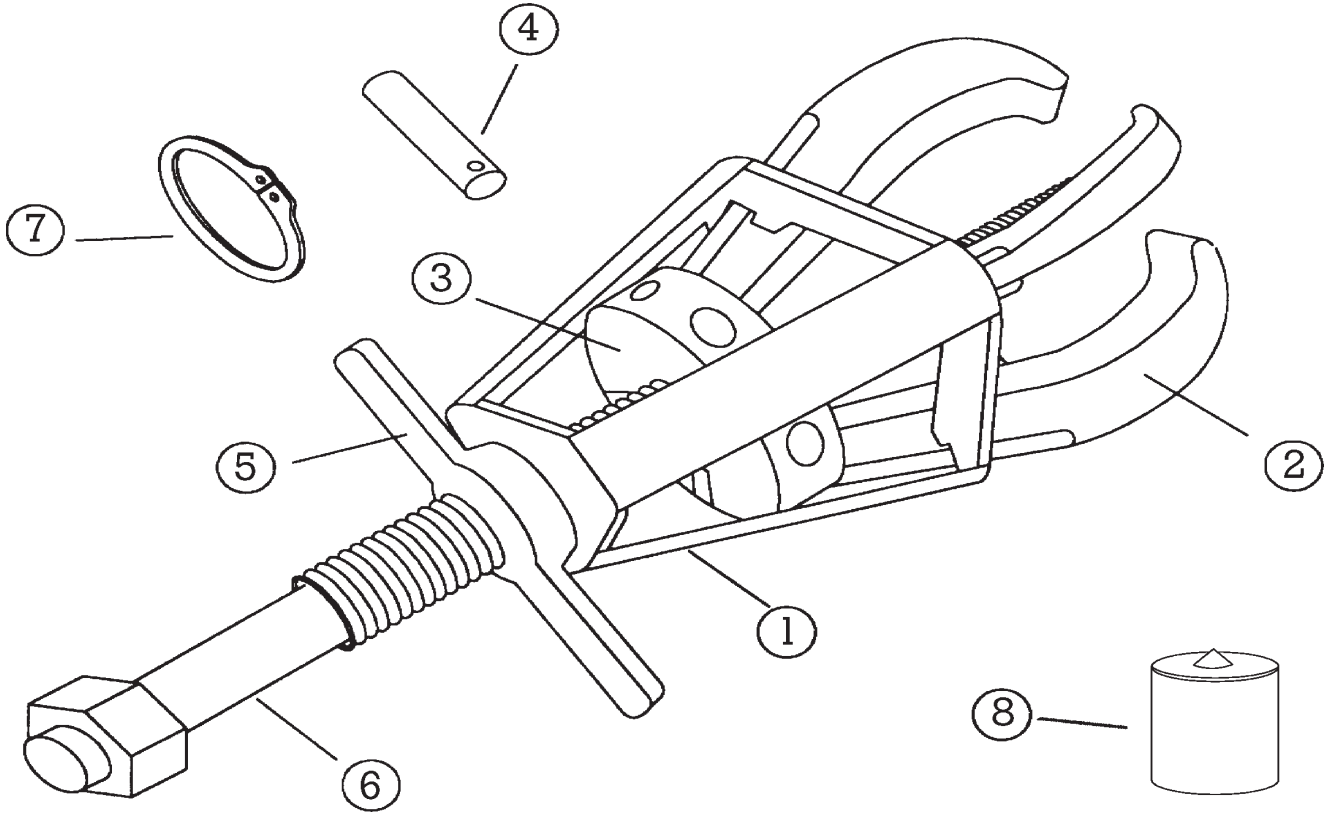
All Posi Lock Pullers are parts replaceable.  
 See part numbers below.

Description	Part #
1. Cage® - 3 Jaw	11353
2. Jaw	11354
3. Jaw Head Assembly - 3 Jaw	11355
4. Pin	11356
5. T-Handle	11357
6. Center Bolt (Dia. 1 1/8")	11358
7. Snap Ring	11359
8. Tip Protector	P13/16

\*Optional accessories are also available



## 116 PARTS BREAKDOWN



All Posi Lock Pullers are parts replaceable.  
 See part numbers below.

Description	Part #
1. Cage® - 3 Jaw	11653
2. Jaw	11654
3. Jaw Head Assembly - 3 Jaw	11655
4. Pin	11356
5. T-Handle	11657
6. Center Bolt (Dia. 1 1/4")	11658
7. Snap Ring	11659
8. Tip Protector	P13/16

\*Optional accessories are also available

