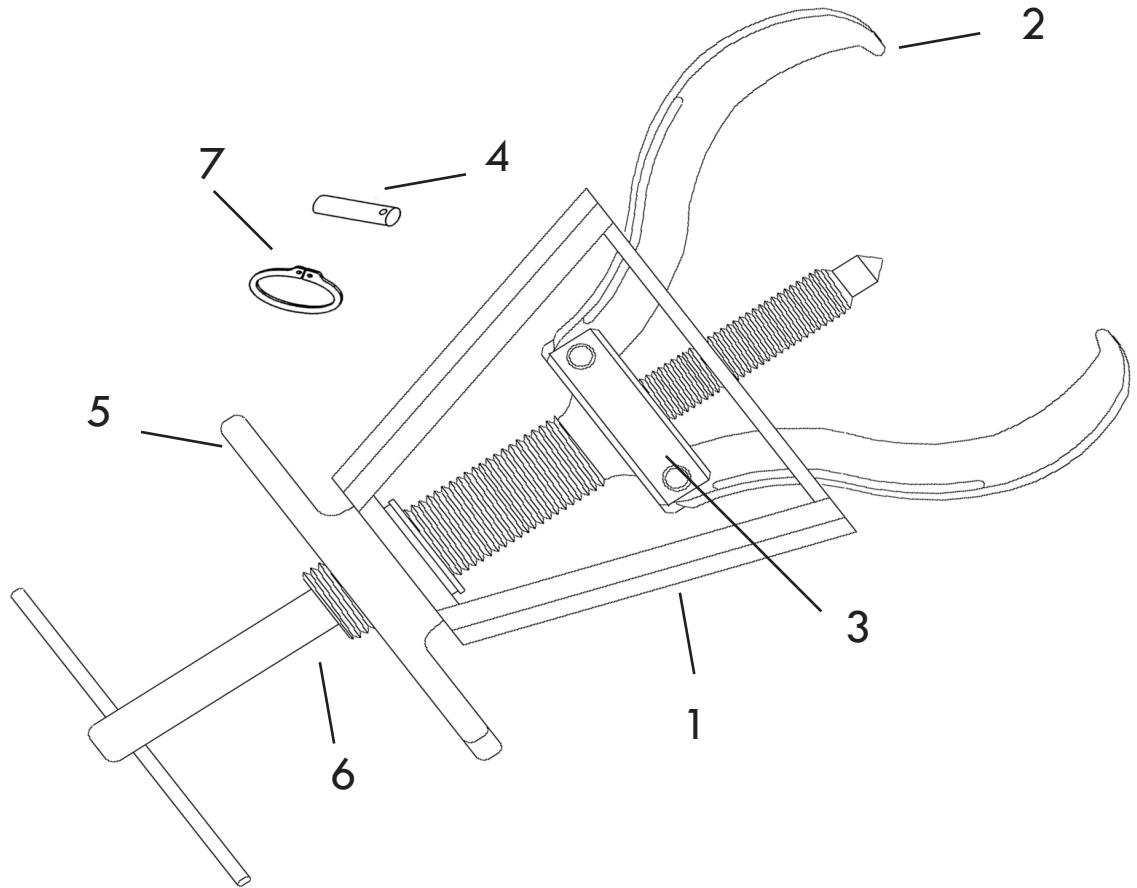


203 PARTS BREAKDOWN

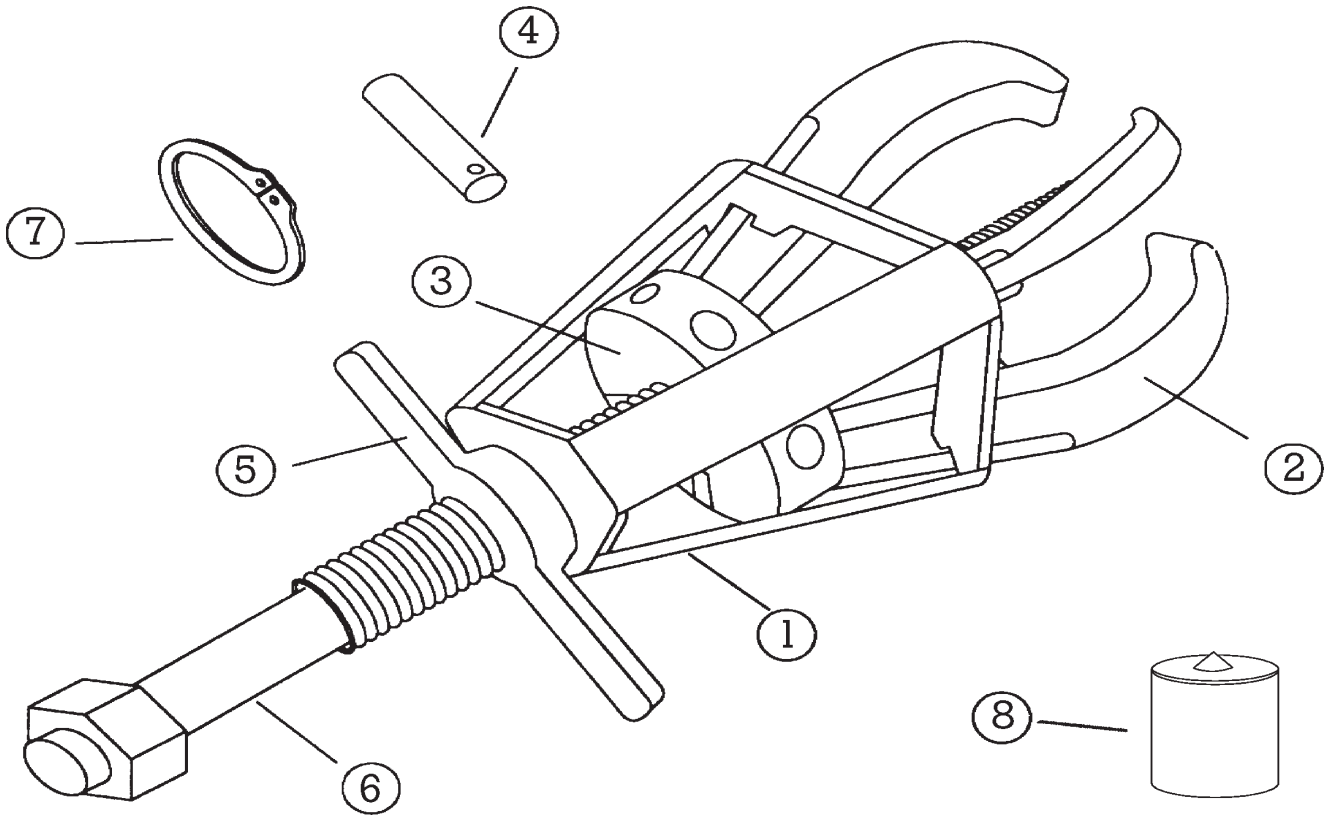


All Posi Lock Pullers are parts replaceable.
 See part numbers below.

Description	Part #
1. Cage® - 2 Jaw	20353
2. Jaw	10354
3. Jaw Head Assembly - 2 Jaw	20355
4. Pin	10356
5. T-Handle	10357
6. Center Bolt (dia. 3/8")	10358
7. Snap Ring	10359



104 PARTS BREAKDOWN

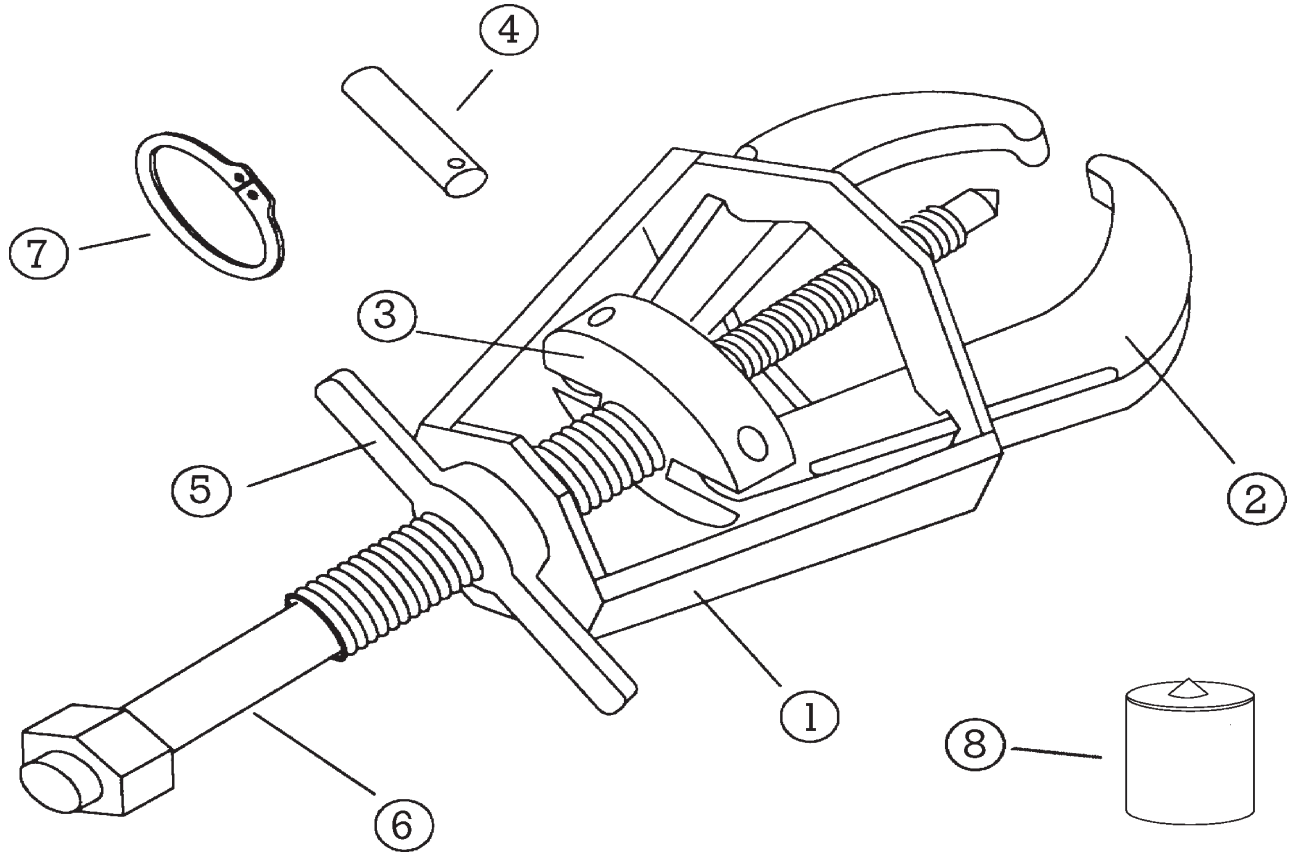


All Posi Lock Pullers are parts replaceable.
See part numbers below.

Description	Part #
1. Cage® - 3 Jaw	10453
2. Jaw	10454
3. Jaw Head Assembly - 3 Jaw	10455
4. Pin	10456
5. T-Handle	10457
6. Center Bolt (Dia. 9/16")	10458
7. Snap Ring	10459
8. Tip Protector	P4

*Optional accessories are also available

204 PARTS BREAKDOWN

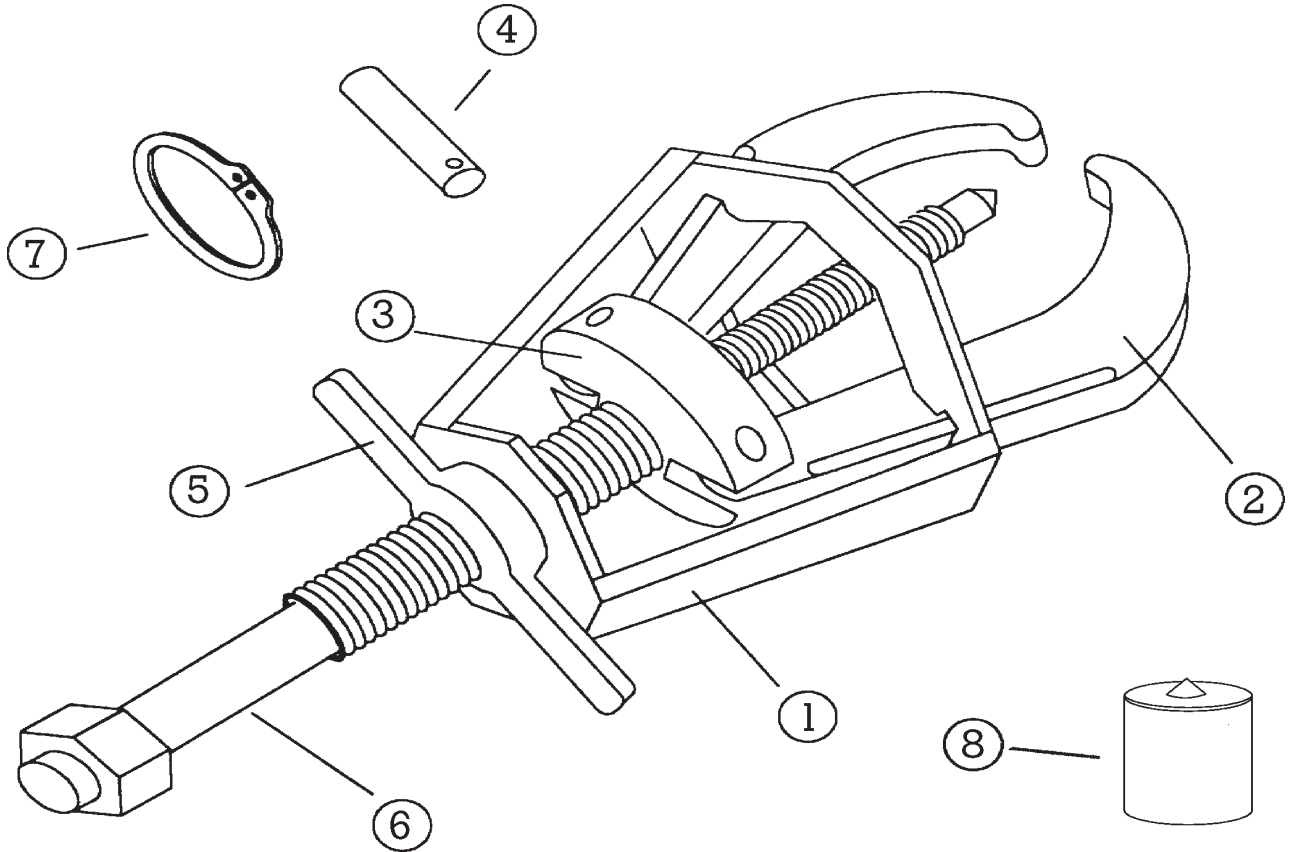


All Posi Lock Pullers are parts replaceable.
See part numbers below.

Description	Part #
1. Cage® - 2 Jaw	20453
2. Jaw	10454
3. Jaw Head Assembly - 2 Jaw	20455
4. Pin	10456
5. T-Handle	10457
6. Center Bolt (Dia. 9/16")	10458
7. Snap Ring	10459
8. Tip Protector	P4
<small>*Optional accessories are also available</small>	



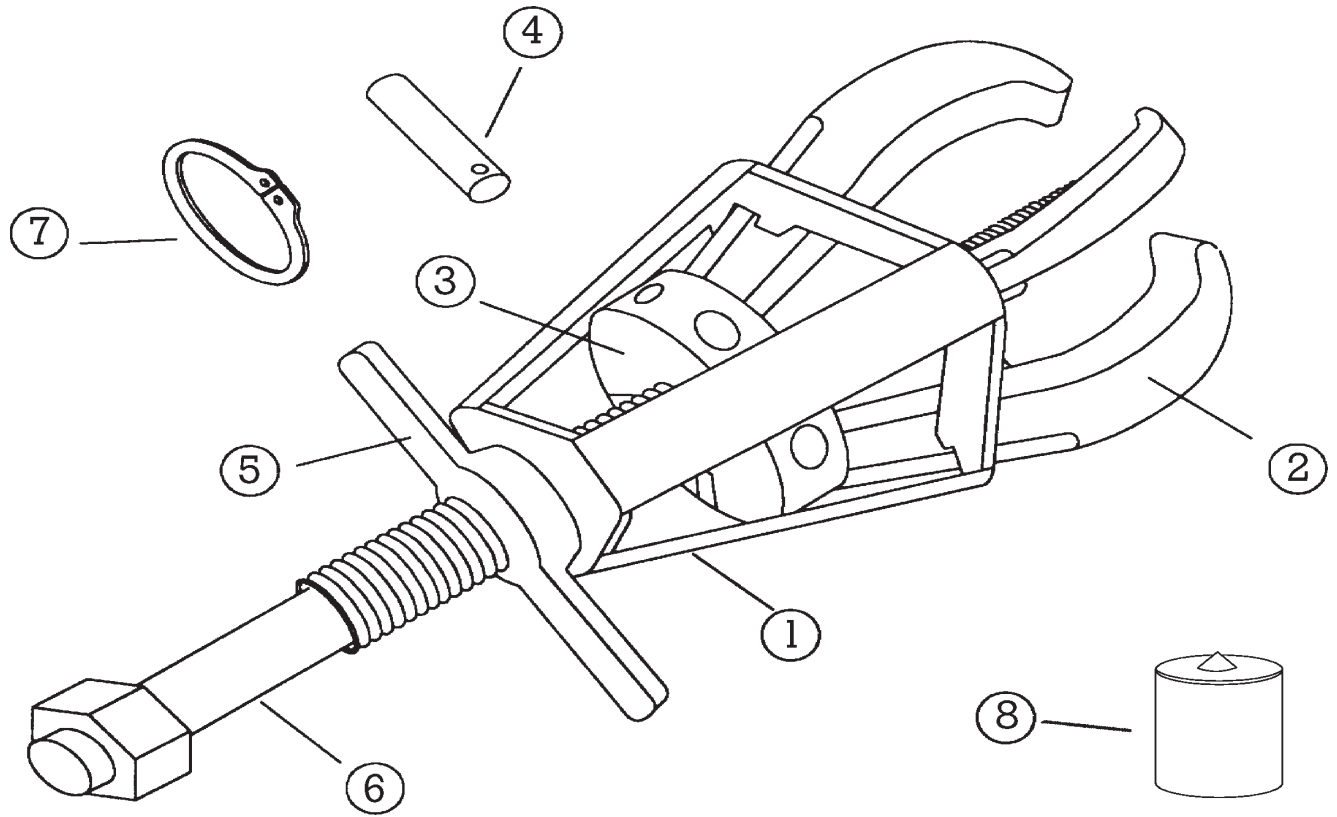
206 PARTS BREAKDOWN



All Posi Lock Pullers are parts replaceable.
See part numbers below.

Description	Part #
1. Cage® - 2 Jaw	20653
2. Jaw	10654
3. Jaw Head Assembly - 2 Jaw	20655
4. Pin	10656
5. T-Handle	10657
6. Center Bolt (Dia. 5/8")	10658
7. Snap Ring	10659
8. Tip Protector	P6
*Optional accessories are also available	

108 PARTS BREAKDOWN

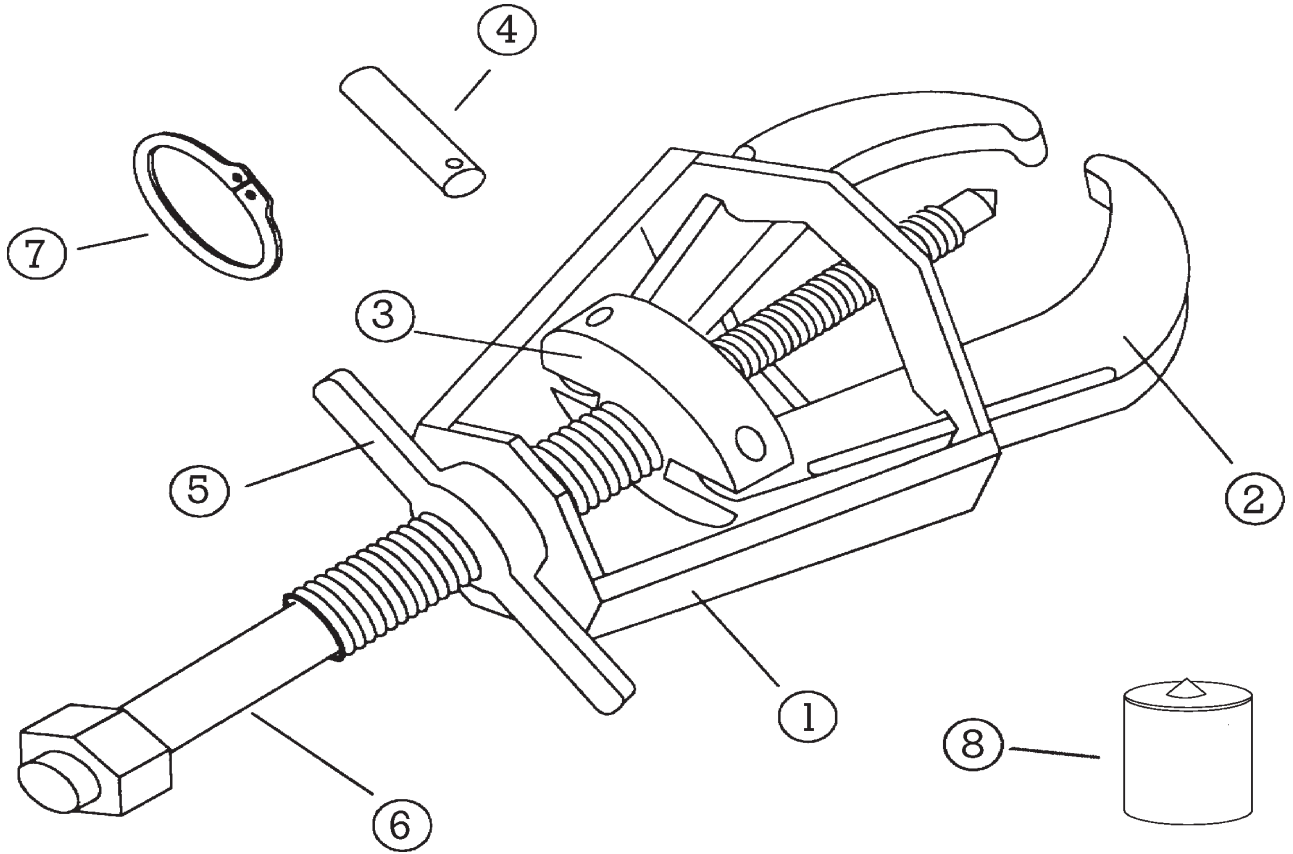


All Posi Lock Pullers are parts replaceable.
 See part numbers below.

Description	Part #
1. Cage® - 3 Jaw	10853
2. Jaw	10854
3. Jaw Head Assembly - 3 Jaw	10855
4. Pin	11056
5. T-Handle	11057
6. Center Bolt (Dia. 3/4")	10858
7. Snap Ring	11059
8. Tip Protector	P10
*Optional accessories are also available	

Safety. Speed. Strength. Safety. Speed. Strength. Safety. Speed. Strength. Safety. Speed. Strength. Safety.

208 PARTS BREAKDOWN

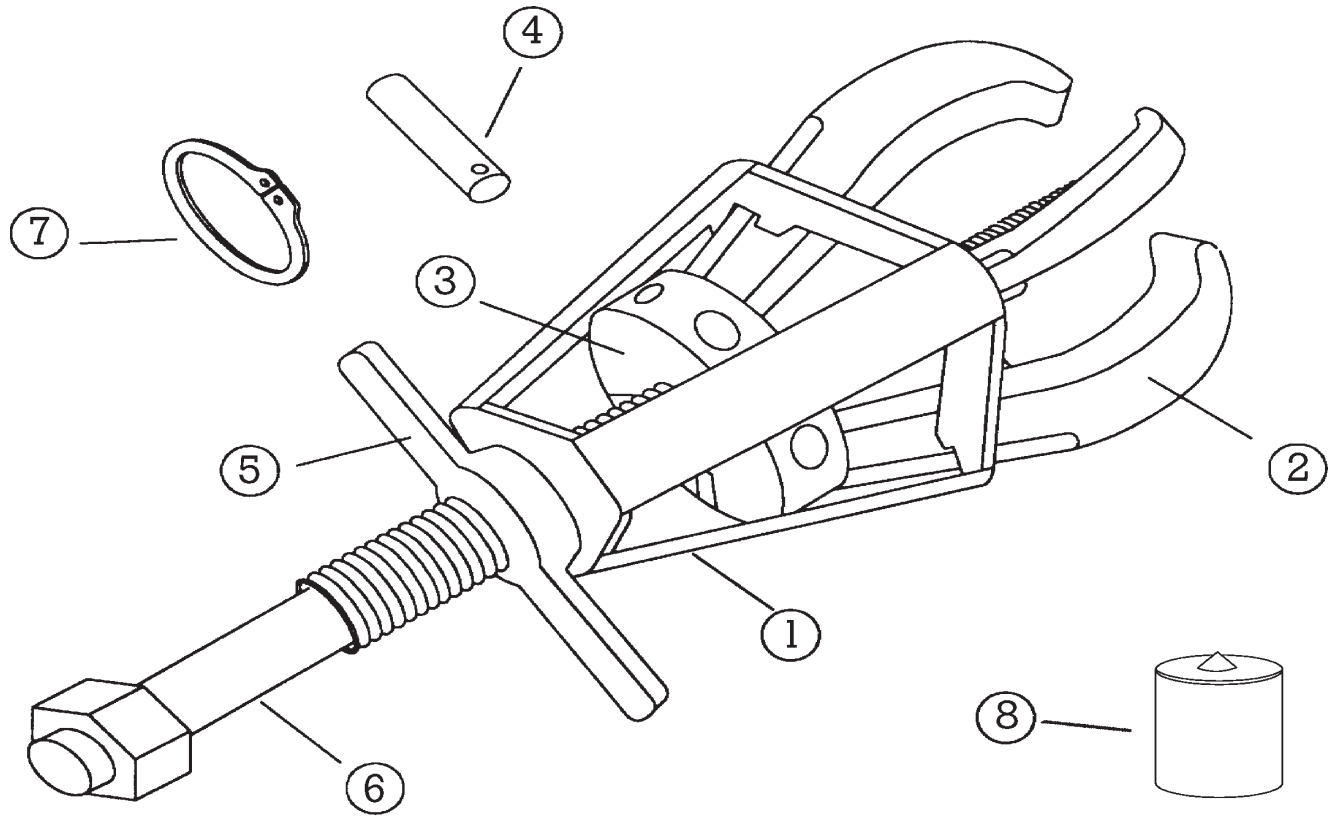


All Posi Lock Pullers are parts replaceable.
 See part numbers below.

Description	Part #
1. Cage® - 2 Jaw	20853
2. Jaw	10854
3. Jaw Head Assembly - 2 Jaw	20855
4. Pin	11056
5. T-Handle	11057
6. Center Bolt (Dia. 3/4")	10858
7. Snap Ring	11059
8. Tip Protector	P10

*Optional accessories are also available

110 PARTS BREAKDOWN

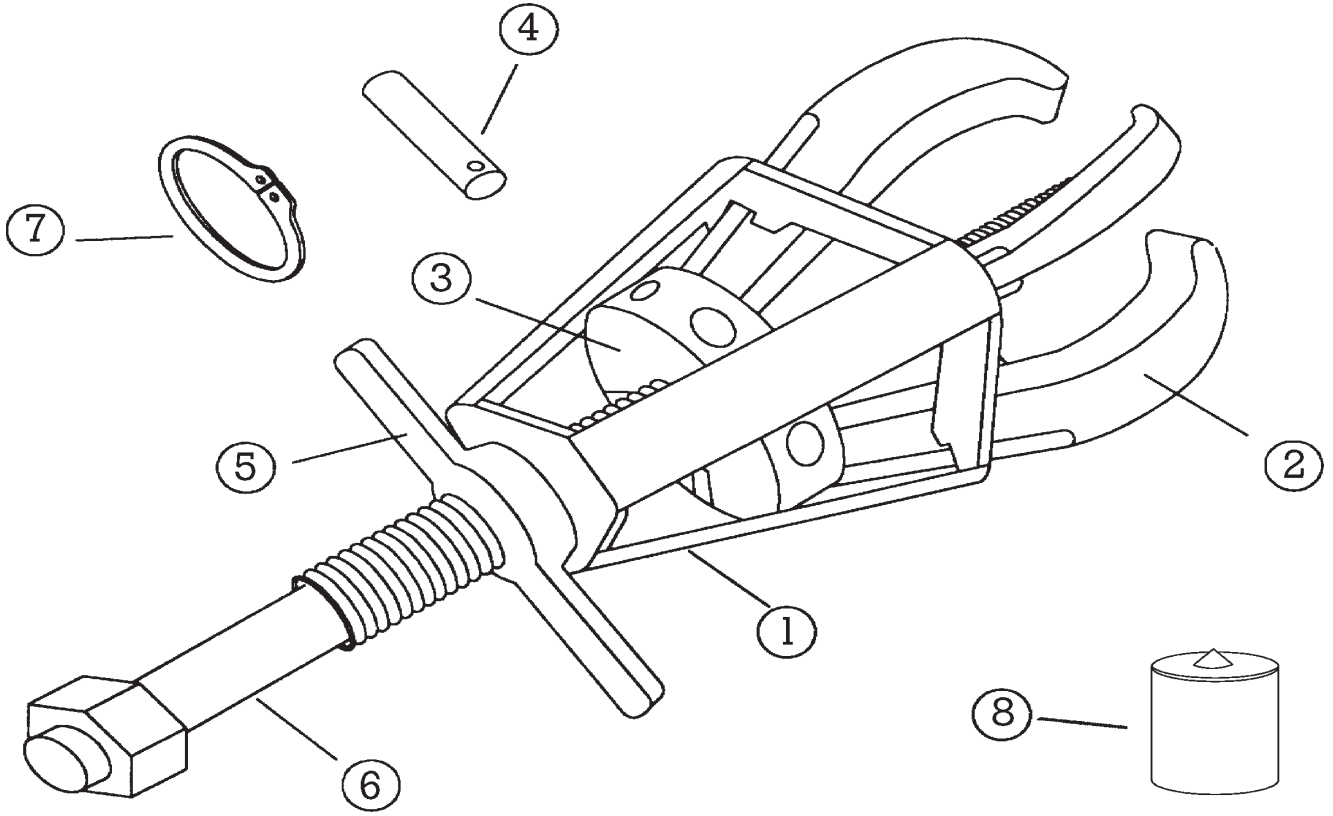


All Posi Lock Pullers are parts replaceable.
 See part numbers below.

Description	Part #
1. Cage® - 3 Jaw	11053
2. Jaw	11054
3. Jaw Head Assembly - 3 Jaw	11055
4. Pin	11056
5. T-Handle	11057
6. Center Bolt (Dia. 3/4")	11058
7. Snap Ring	11059
8. Tip Protector	P10

*Optional accessories are also available

113 PARTS BREAKDOWN



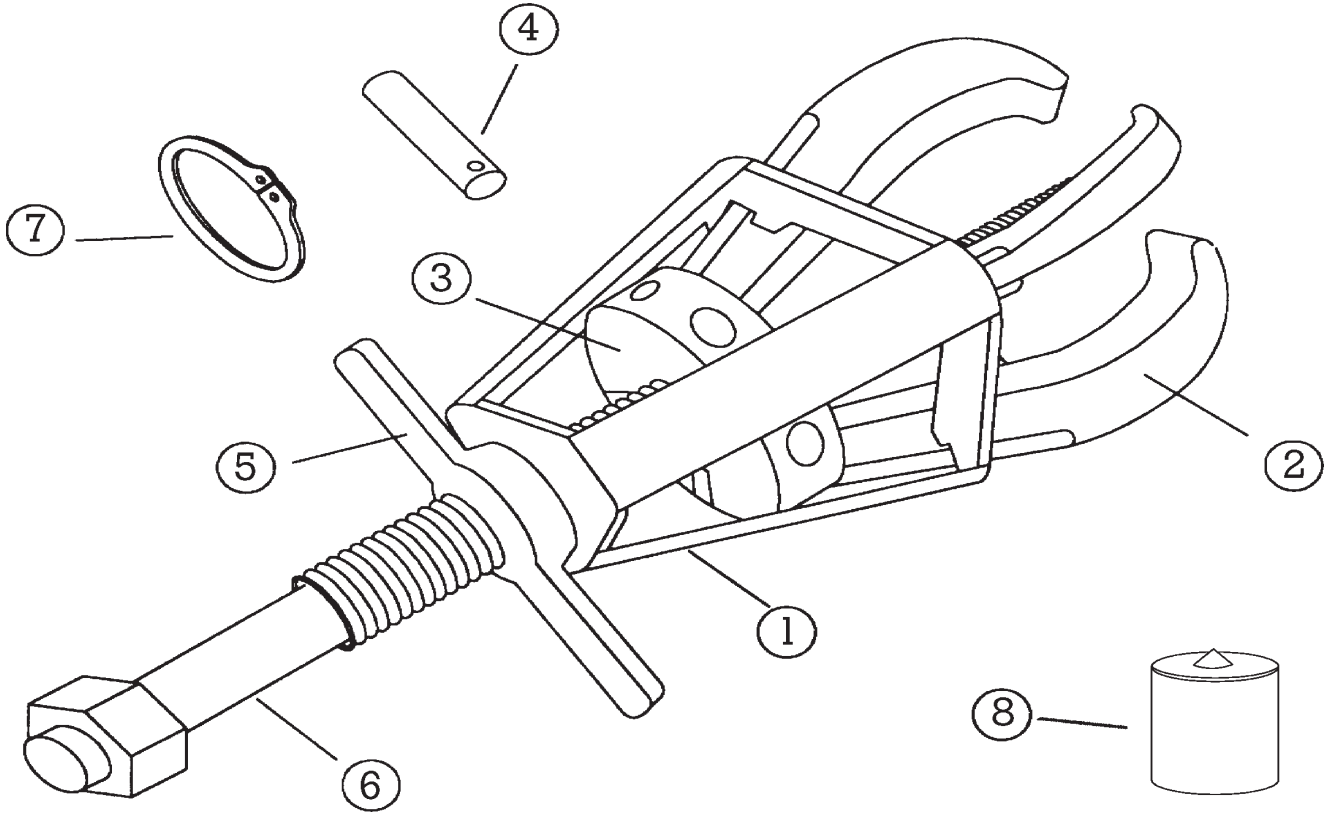
All Posi Lock Pullers are parts replaceable.
See part numbers below.

Description	Part #
1. Cage® - 3 Jaw	11353
2. Jaw	11354
3. Jaw Head Assembly - 3 Jaw	11355
4. Pin	11356
5. T-Handle	11357
6. Center Bolt (Dia. 1 1/8")	11358
7. Snap Ring	11359
8. Tip Protector	P13/16

*Optional accessories are also available

Safety. Speed. Strength. Safety. Speed. Strength. Safety. Speed. Strength. Safety. Speed. Strength. Safety.

116 PARTS BREAKDOWN



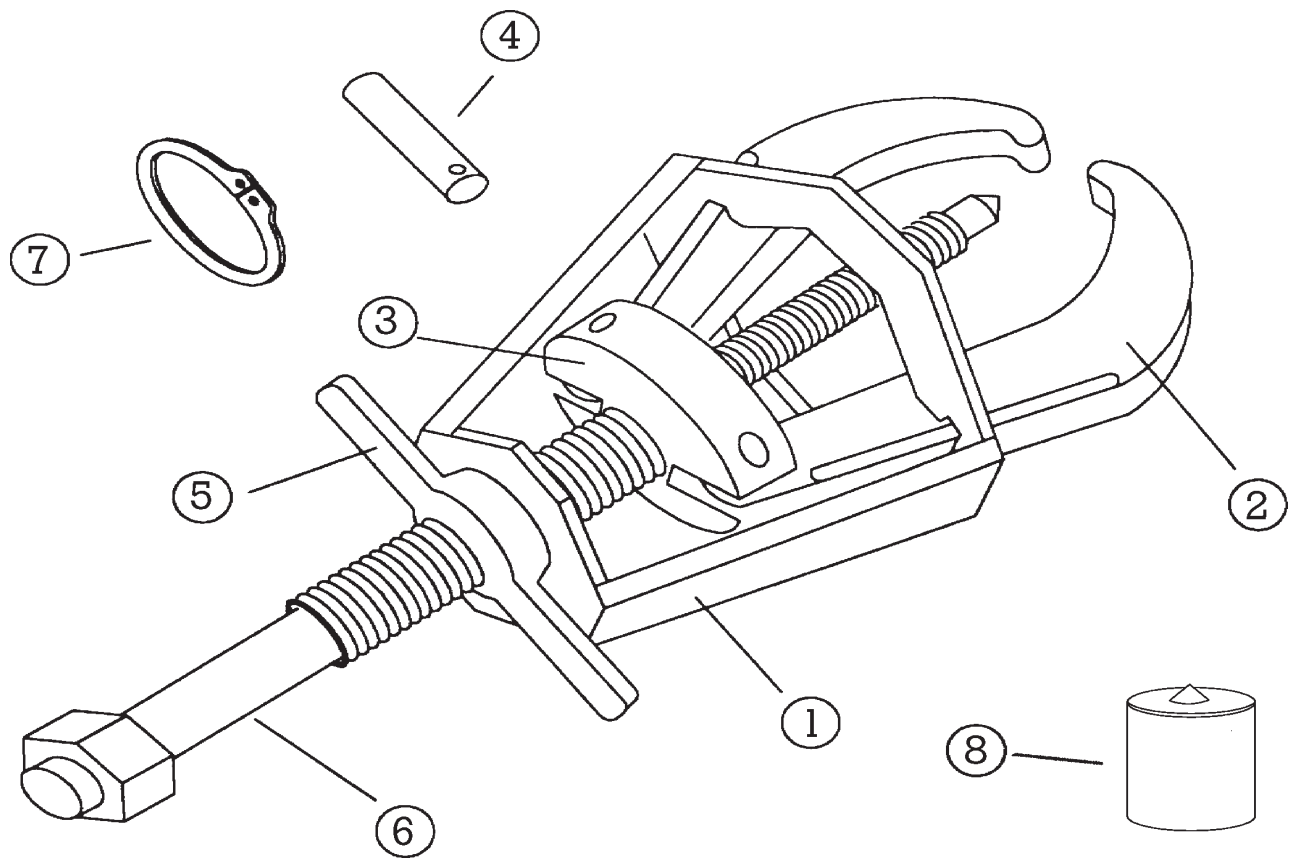
All Posi Lock Pullers are parts replaceable.
See part numbers below.

Description	Part #
1. Cage® - 3 Jaw	11653
2. Jaw	11654
3. Jaw Head Assembly - 3 Jaw	11655
4. Pin	11356
5. T-Handle	11657
6. Center Bolt (Dia. 1 1/4")	11658
7. Snap Ring	11659
8. Tip Protector	P13/16
*Optional accessories are also available	

Safety. Speed. Strength. Safety. Speed. Strength. Safety. Speed. Strength. Safety. Speed. Strength. Safety.

216 PARTS BREAKDOWN

Safety. Speed. Strength. Safety. Speed. Strength. Safety. Speed. Strength. Safety. Speed. Strength. Safety. Speed. Strength. Safety. Speed. Strength.



All Posi Lock Pullers are parts replaceable.
See part numbers below.

Description	Part #
1. Cage® - 2 Jaw	21653
2. Jaw	11654
3. Jaw Head Assembly - 2 Jaw	21655
4. Pin	11356
5. T-Handle	11657
6. Center Bolt (Dia. 1 1/4")	11658
7. Snap Ring	11659
8. Tip Protector	P13/16
*Optional accessories are also available	