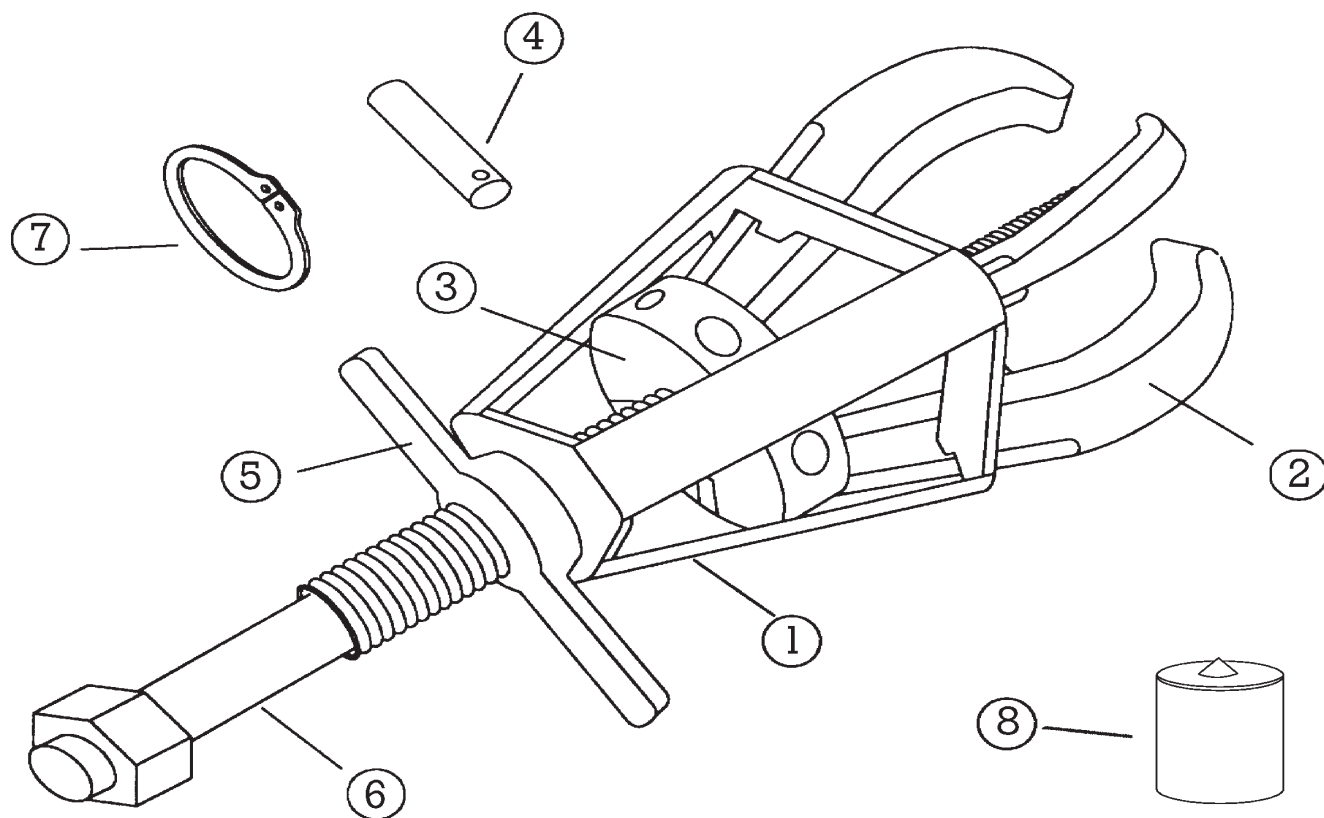


# 116 PARTS BREAKDOWN



All Posi Lock Pullers are parts replaceable.  
See part numbers below.

Description	Part #
1. Cage <sup>®</sup> - 3 Jaw	11653
2. Jaw	11654
3. Jaw Head Assembly - 3 Jaw	11655
4. Pin	11356
5. T-Handle	11657
6. Center Bolt (Dia. 1 1/4")	11658
7. Snap Ring	11659
8. Tip Protector	P13/16
*Optional accessories are also available	