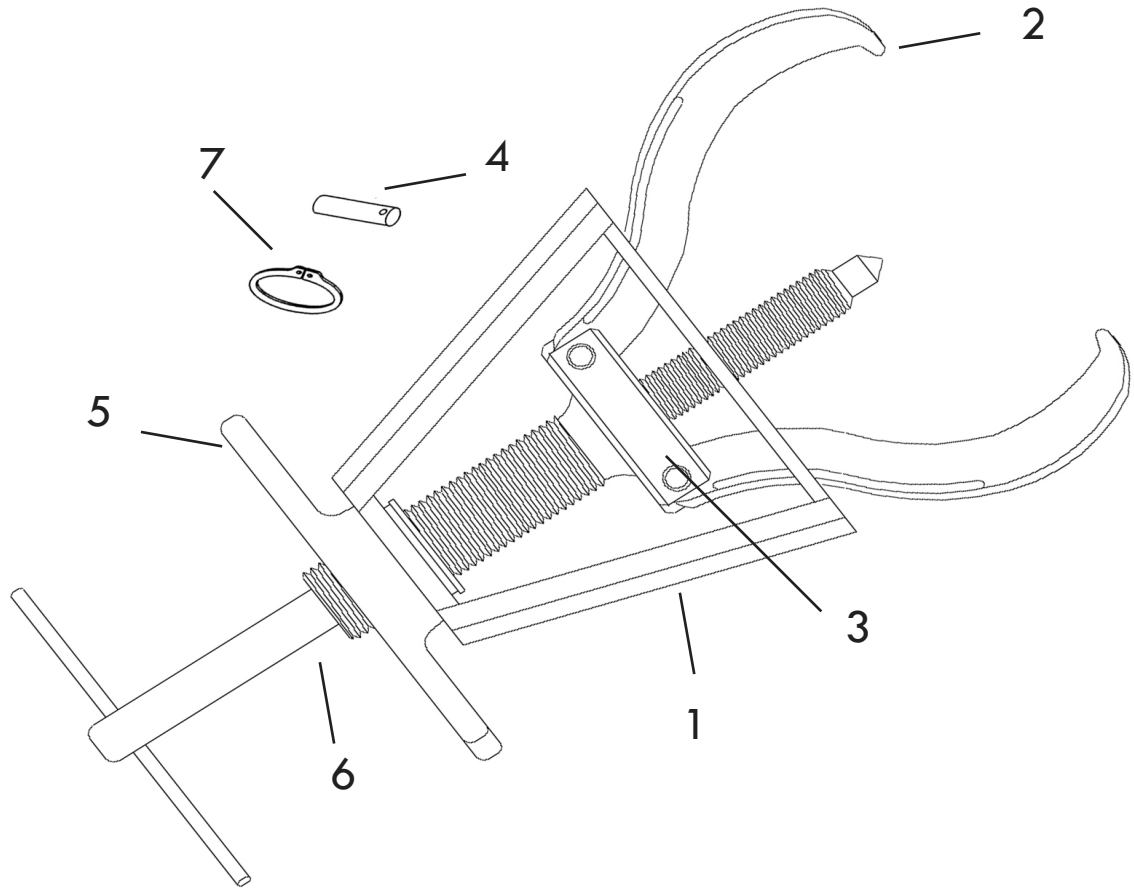


203 PARTS BREAKDOWN



All Posi Lock Pullers are parts replaceable.
 See part numbers below.

Description	Part #
1. Cage® - 2 Jaw	20353
2. Jaw	10354
3. Jaw Head Assembly - 2 Jaw	20355
4. Pin	10356
5. T-Handle	10357
6. Center Bolt (dia. 3/8")	10358
7. Snap Ring	10359