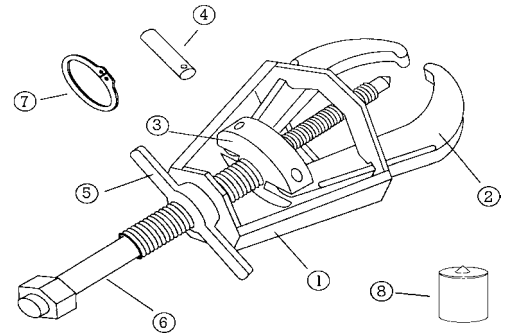
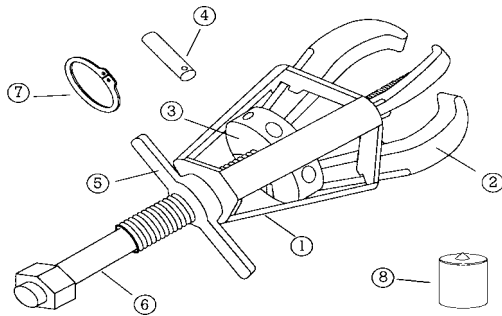


# POSI LOCK™ MANUAL PULLER PARTS



<b>102/ 202</b>		Reach 2.25" • Spread 3.25"		
Description	Part #	oz.	g.	
1. Cage® - 3 Jaw	10253	2.20	62.30	
1. Cage® - 2 Jaw	20253	1.70	48.10	
2. Jaw	10254	.90	25.50	
3. Jaw Head Assembly - 3 Jaw	10255	1.50	42.50	
3. Jaw Head Assembly - 2 Jaw	20255	1.80	50.90	
4. Pin	10256	.10	2.80	
5. T-Handle	10257	1.20	34.00	
6. Center Bolt (dia. 5/16")	10258	1.90	53.80	
7. Snap Ring	10259	.10	2.80	

<b>103/ 203</b>		Reach 3" • Spread 4.5"		
Description	Part #	oz.	g.	
1. Cage® - 3 Jaw	10353	3.70	104.70	
1. Cage® - 2 Jaw	20353	2.40	67.90	
2. Jaw	10354	2.00	56.60	
3. Jaw Head Assembly - 3 Jaw	10355	4.10	116.00	
3. Jaw Head Assembly - 2 Jaw	20355	4.70	133.00	
4. Pin	10356	.10	2.80	
5. T-Handle	10357	1.30	36.80	
6. Center Bolt (dia. 3/8")	10358	3.10	87.70	
7. Snap Ring	10359	.10	2.80	

<b>104/ 204</b>		Reach 4" • Spread 5"		
Description	Part #	lbs.	kg.	
1. Cage® - 3 Jaw	10453	1.00	.45	
1. Cage® - 2 Jaw	20453	1.00	.45	
2. Jaw	10454	1.00	.45	
3. Jaw Head Assembly - 3 Jaw	10455	1.00	.45	
3. Jaw Head Assembly - 2 Jaw	20455	1.00	.45	
4. Pin	10456	.40	.18	
5. T-Handle	10457	.40	.18	
6. Center Bolt (Dia. 9/16")	10458	1.00	.45	
7. Snap Ring	10459	.02	.01	
8. Tip Protector	P4	.08	.04	
Bolt Extender (Optional)	X4	.20	.09	
Slide Rod (Optional)	10561	1.70	.77	
2.5 lb. Slide Hammer (Optional)	10562	2.50	1.10	
5.0 lb. Slide Hammer (Optional)	10563	5.00	2.27	
Tip Reducer/Extender (Optional)	HP-70	.06	.03	

<b>106/ 206</b>		Reach 6" • Spread 7"		
Description	Part #	lbs.	kg.	
1. Cage® - 3 Jaw	10653	2.00	.91	
1. Cage® - 2 Jaw	20653	1.50	.68	
2. Jaw	10654	1.00	.45	
3. Jaw Head Assembly - 3 Jaw	10655	1.50	.68	
3. Jaw Head Assembly - 2 Jaw	20655	1.50	.68	
4. Pin	10656	.50	.23	
5. T-Handle	10657	.60	.27	
6. Center Bolt (Dia. 5/8")	10658	1.50	.68	
7. Snap Ring	10659	.02	.01	
8. Tip Protector	P6	.14	.06	
Bolt Extender (Optional)	X6	.26	.12	
Transmission Jaw (Optional)	10654T	2.50	3.60	
Slide Hammer Adapter (Optional)	10661	.79	.36	
Slide Rod (Optional)	10561	1.70	.77	
2.5 lb. Slide Hammer (Optional)	10562	2.50	1.10	
5.0 lb. Slide Hammer (Optional)	10563	5.00	2.27	

<b>108/ 208</b>		Reach 8" • Spread 12"		
Description	Part #	lbs.	kg.	
1. Cage® - 3 Jaw	10853	2.00	.91	
1. Cage® - 2 Jaw	20853	2.00	.91	
2. Jaw	10854	2.00	.91	
3. Jaw Head Assembly - 3 Jaw	10855	2.00	.91	
3. Jaw Head Assembly - 2 Jaw	20855	2.00	.91	
4. Pin	11056	.50	.23	
5. T-Handle	11057	1.00	.45	
6. Center Bolt (Dia. 3/4")	10858	2.00	.91	
7. Snap Ring	11059	.02	.01	
8. Tip Protector	P10	.18	.08	
Bolt Extender (Optional)	X10	.34	.15	
Long Jaw (Optional)	11054	2.50	1.14	
Extra Long Jaw (Optional)	11054L	4.50	2.04	
Transmission Jaw (Optional)	11054T	2.50	1.14	

<b>110/ 210</b>		Reach 9.67" • Spread 15"		
Description	Part #	lbs.	kg.	
1. Cage® - 3 Jaw	11053	3.00	1.36	
1. Cage® - 2 Jaw	21053	3.00	3.36	
2. Jaw	11054	2.50	1.14	
3. Jaw Head Assembly - 3 Jaw	11055	2.50	1.14	
3. Jaw Head Assembly - 2 Jaw	21055	2.50	1.14	
4. Pin	11056	.50	.23	
5. T-Handle	11057	1.00	.45	
6. Center Bolt (Dia. 3/4")	11058	2.50	1.14	
7. Snap Ring	11059	.02	.01	
8. Tip Protector	P10	.18	.08	
Bolt Extender (Optional)	X10	.34	.15	
Long Jaw (Optional)	11054L	4.50	2.14	
Transmission Jaw (Optional)	11054T	2.50	1.14	

<b>113/ 213</b>		Reach 12" • Spread 18"		
Description	Part #	lbs.	kg.	
1. Cage® - 3 Jaw	11353	8.00	3.63	
1. Cage® - 2 Jaw	21353	7.50	3.41	
2. Jaw	11354	4.50	2.04	
3. Jaw Head Assembly - 3 Jaw	11355	7.00	3.18	
3. Jaw Head Assembly - 2 Jaw	21355	7.00	3.18	
4. Pin	11356	1.00	.45	
5. T-Handle	11357	2.50	1.13	
6. Center Bolt (Dia. 1 1/8")	11358	7.00	3.18	
7. Snap Ring	11359	.05	.02	
8. Tip Protector	P13/16	.54	.24	
Long Jaw (Optional)	11354L	9.00	4.09	

<b>116/ 216</b>		Reach 14" • Spread 25"		
Description	Part #	lbs.	kg.	
1. Cage® - 3 Jaw	11653	16.00	7.26	
1. Cage® - 2 Jaw	21653	12.00	5.45	
2. Jaw	11654	7.50	3.41	
3. Jaw Head Assembly - 3 Jaw	11655	13.00	5.90	
3. Jaw Head Assembly - 2 Jaw	21655	13.00	5.90	
4. Pin	11356	1.00	.45	
5. T-Handle	11657	4.50	2.04	
6. Center Bolt (Dia. 1 1/4")	11658	10.00	4.54	
7. Snap Ring	11659	.05	.02	
8. Tip Protector	P13/16	.54	.24	
Long Jaw (Optional)	11654L	15.00	6.81	