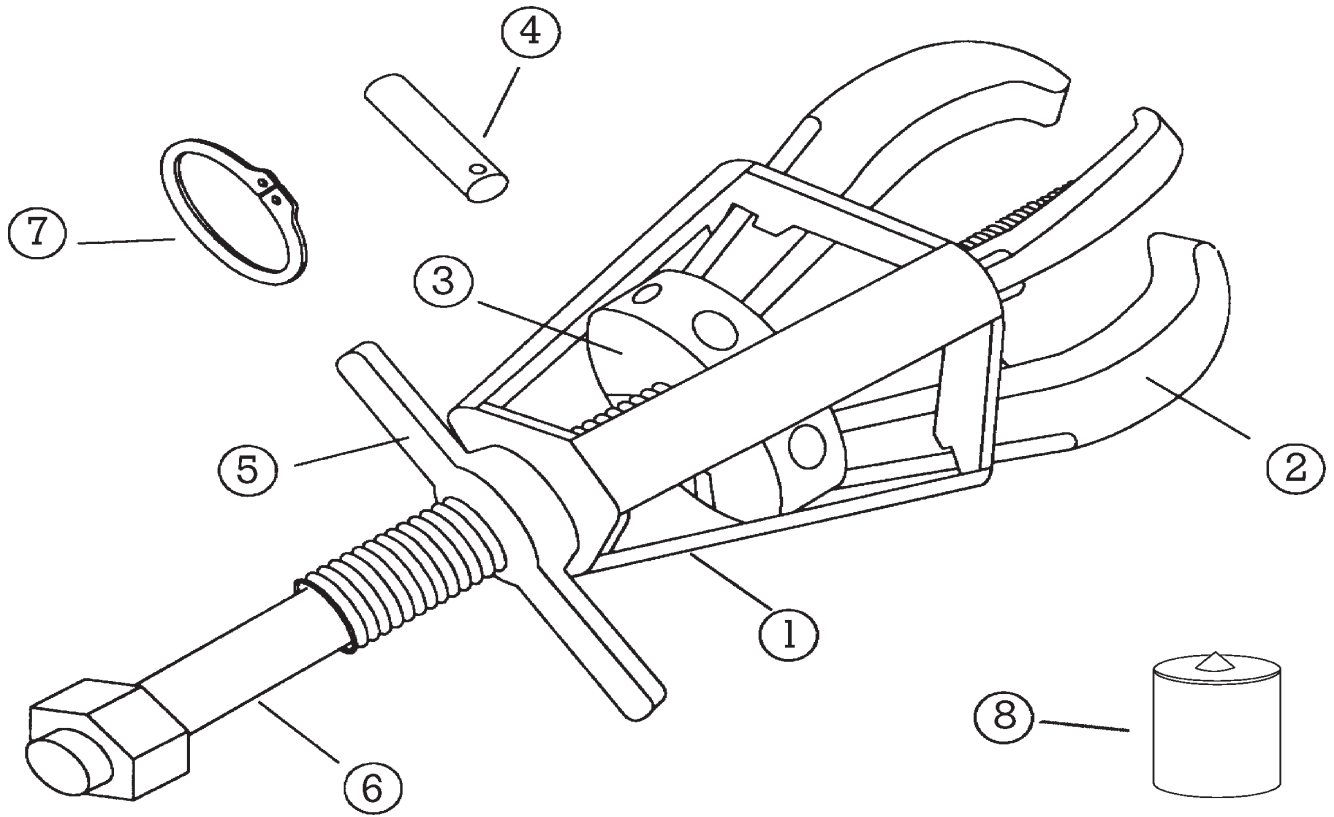


## TJ-3 PARTS BREAKDOWN



All Posi Lock Pullers are parts replaceable.  
 See part numbers below.

Description	Part #
<b>1. Cage® - 3 Jaw</b>	10453
<b>2. Jaw</b>	10454T
<b>3. Jaw Head Assembly - 3 Jaw</b>	10455
<b>4. Pin</b>	10456
<b>5. T-Handle</b>	10457
<b>6. Center Bolt (Dia. 9/16")</b>	10458
<b>7. Snap Ring</b>	10459
<b>8. Tip Protector</b>	P4

\*Optional accessories are also available