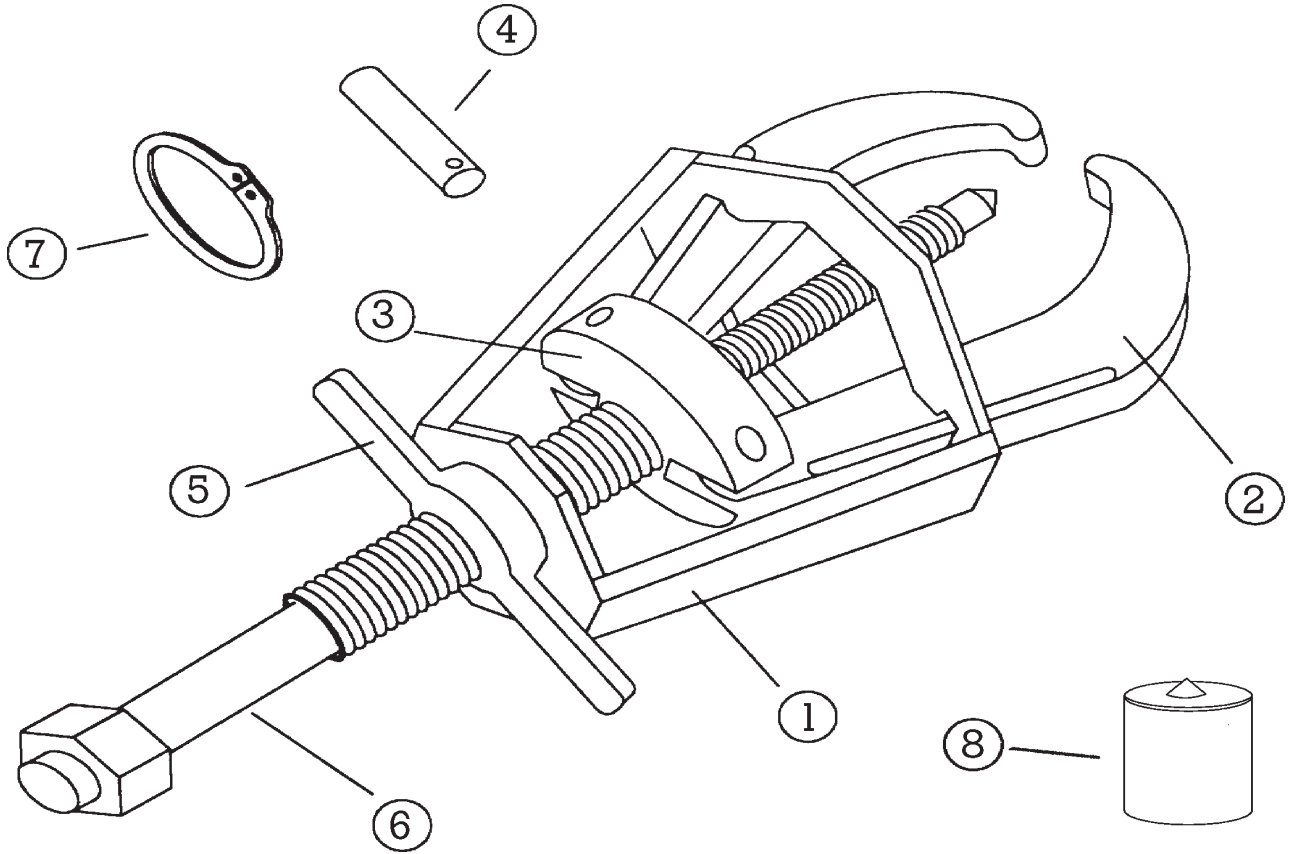


## 206 PARTS BREAKDOWN



All Posi Lock Pullers are parts replaceable.  
See part numbers below.

| Description                  | Part # |
|------------------------------|--------|
| 1. Cage® - 2 Jaw             | 20653  |
| 2. Jaw                       | 10654  |
| 3. Jaw Head Assembly - 2 Jaw | 20655  |
| 4. Pin                       | 10656  |
| 5. T-Handle                  | 10657  |
| 6. Center Bolt (Dia. 5/8")   | 10658  |
| 7. Snap Ring                 | 10659  |
| 8. Tip Protector             | P6     |

\*Optional accessories are also available

Safety. Speed. Strength. Safety. Speed. Strength. Safety. Speed. Strength. Safety. Speed. Strength. Safety. Speed. Strength. Safety.